



2639AF-33 ORAS OPTIMA KITCHEN FAUCET WITH DISHWASHER VALVE, 9 V

SINGLE-LEVER, SIDE OPERATED, PLUG TRANSFORMER, DISHWASHER VALVE, BLUETOOTH®

EAN: 6414150102202 static.oras.com/2639AF-33

The Oras Optima is the perfect fit for any kitchen, with a proven expert quality you can rely on, no matter your specific needs. Durable and long-lasting in both design and service life, this faucet brings you joy and confidence for years to come. Functional considerations and a dedicated level of detail offer a new user experience.

- Deck mounted
- Matt black
- Swivel spout
- Standard aerator
- Remote controlled stop valve for external equipment
- Single operating lever/handle, Pin shape, Hot/Cold symbols
- Limitation option for maximum temperature and flow-rate
- ø 30 mm ceramic cartridge for flow and temperature control
- Solenoid valve, Power supply
- Flexible inlet pipes
- Inner body made of DZR brass, Software settings adjustable via App



TECHNICAL DATA

FLOW PROPERTIES

Flow-rate at 300 kPa (with flow controller)	0.18 l/s
Pressure loss with flow (0.2 l/s)	375 kPa

TECHNICAL PROPERTIES

Hot water supply	max. +70°C
Working pressure	50 - 1000 kPa
Connection size	G3/8
Projection	247 mm
Backflow prevention (EN1717)	EB
Material	Brass

SOFTWARE SETTINGS

Dishwasher valve open period	4 h / 12 h
------------------------------	------------

ELECTRONIC PROPERTIES

Electrical Connection	230 / 9 V
Battery	CR 2450 3 V
Bluetooth version	5.x (D060577)

REGULATIONS

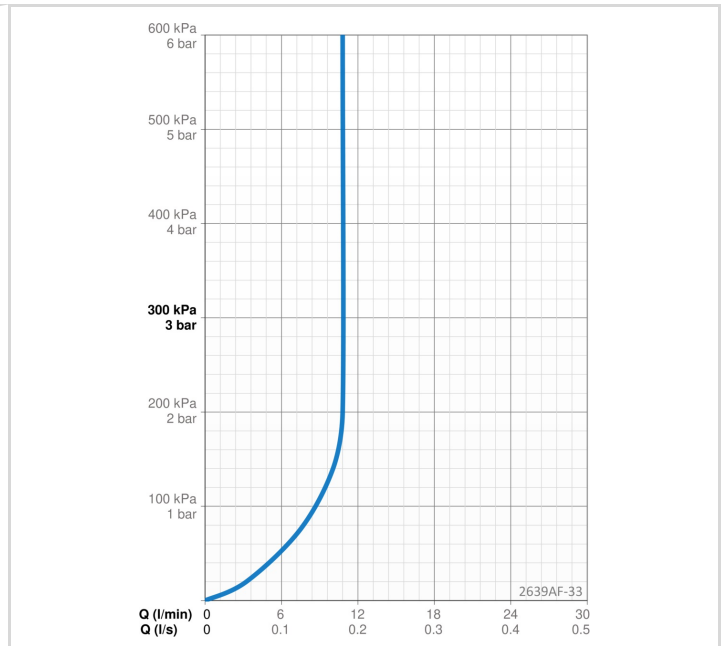
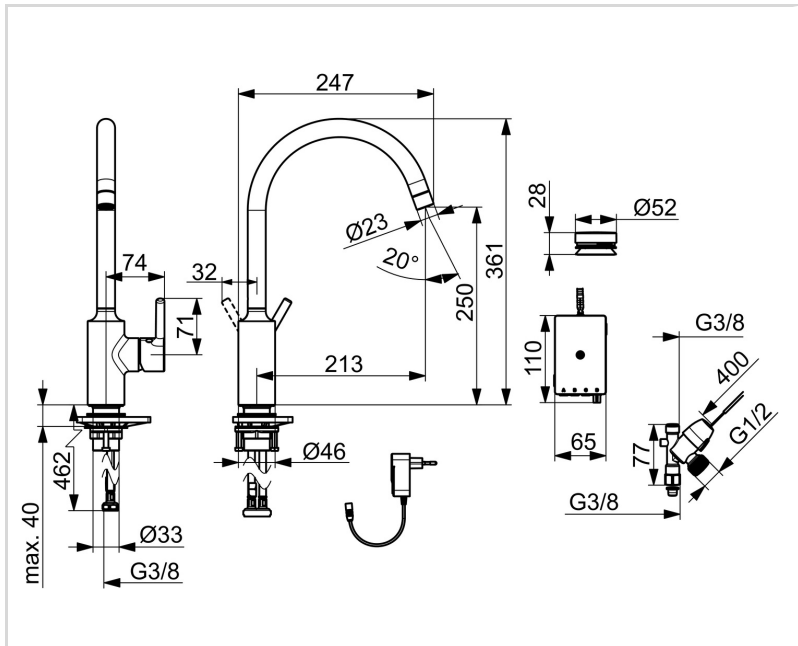
EU Directives	CE Radio Equipment Directive 2014/53/EU , Low Voltage Directive 2014/35/EU , EMC Directive 2014/30/EU , RoHS Directive 2011/65/EU
EN standard	ETSI EN 301 489-1 V1.9.2 , ETSI EN 300 328 v2.2.2, EN 18031-1, EN 61000-6-1:2007 , EN 61000-6-3:2007+A1:2011+AC:2012 , EN 60335-1:2012+A11+A13+A14+A15:2021, Part 19.11.4
Noise class	I (ISO 3822)
Protection class	IP 54 / transformer IP 20

APPROVALS AND DECLARATIONS

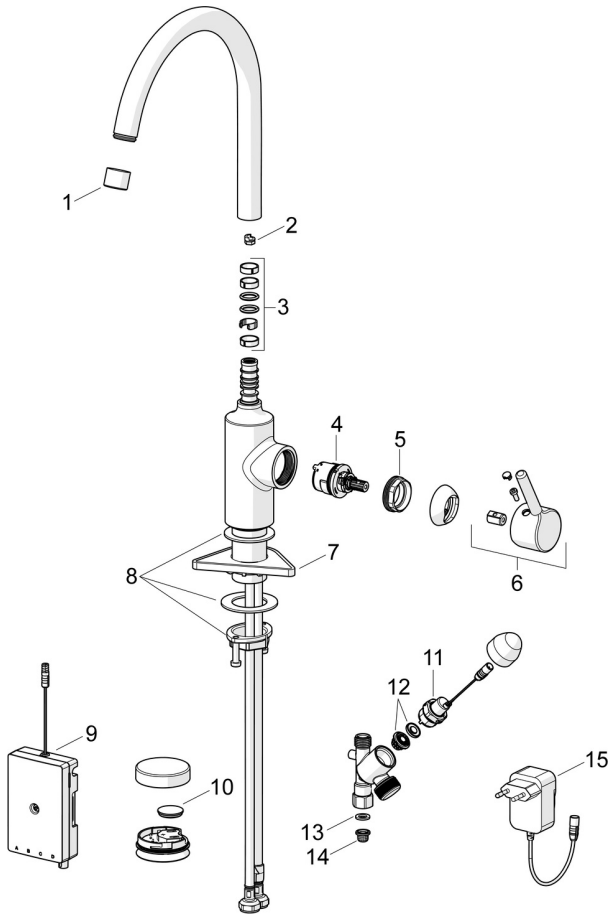
KIWA SE	1607
Declaration of conformity	RED
EPD	S-P-06396

SUSTAINABILITY

EPD module A1-A3 (kg CO2 eq.)	14,97
EPD module A4 (kg CO2 eq.)	0,30
EPD module B7 (kg CO2 eq.)	4255,20
EPD module C2 (kg CO2 eq.)	0,02
EPD module C3 (kg CO2 eq.)	0,02
EPD module C4 (kg CO2 eq.)	0,45
EPD module D (kg CO2 eq.)	-8,46



SPARE PARTS



SP2639AF-33

Name	Code
01 Aerator, STD M22x1 CC A Matt black	1017047V-33
02 Spout overturning stopper, 60°/0°	159667/10
02 Spout overturning stopper, 60°/0°	159667V
02 Spout overturning stopper, 120°	159670/10
03 Sealing kit for spout	1001098V
04 Cartridge, 3.0	1014428V
05 Tightening nut, M34x1.5, SW30	1012133V
06 Lever Matt black	1001748V-33
07 Supporting plate, 100x60mm	158825
08 Fixing set	602629V
09 Control unit, 9 V, Bluetooth	1015438V
10 Battery, CR2450 3 V Lithium	601468V
11 Pilot valve, 3 V	601884V-F
12 Membrane for solenoid valve	1006500V
13 Gasket, 18.5/12x2 EPD	438025/10
14 Litter filters	199257/2
15 Power supply, 230/9 V, 550 mA	199550