



# 2639AF ORAS OPTIMA KITCHEN FAUCET WITH DISHWASHER VALVE, 9 V

SINGLE-LEVER, SIDE OPERATED, PLUG TRANSFORMER, DISHWASHER VALVE, BLUETOOTH®

EAN: 6414150102158 [static.oras.com/2639AF](http://static.oras.com/2639AF)

The Oras Optima is the perfect fit for any kitchen, with a proven expert quality you can rely on, no matter your specific needs. Durable and long-lasting in both design and service life, this faucet brings you joy and confidence for years to come. Functional considerations and a dedicated level of detail offer a new user experience.

Single-lever, side-operated design with a swivel spout and standard aerator. The faucet is equipped with a remote-controlled dishwasher valve. The inner body is made of DZR brass, ensuring durability and longevity. The faucet also features a limitation option for maximum temperature and flow-rate. Bluetooth® connectable.

- Deck mounted
- Chrome
- Swivel spout
- Standard aerator
- Remote controlled stop valve for external equipment
- Single operating lever/handle, Pin shape, Hot/Cold symbols
- Limitation option for maximum temperature and flow-rate
- ø 30 mm ceramic cartridge for flow and temperature control
- Solenoid valve, Power supply
- Flexible inlet pipes
- Inner body made of DZR brass, Software settings adjustable via App



## TECHNICAL DATA

### FLOW PROPERTIES

Flow-rate at 300 kPa (with flow controller)	0.18 l/s
Pressure loss with flow (0.2 l/s)	375 kPa

### TECHNICAL PROPERTIES

Hot water supply	max. +70°C
Working pressure	50 - 1000 kPa
Connection size	G3/8
Projection	247 mm
Backflow prevention (EN1717)	EB
Material	Brass

### SOFTWARE SETTINGS

Dishwasher valve open period	4 h / 12 h
------------------------------	------------

### ELECTRONIC PROPERTIES

Electrical Connection	230 / 9 V
Battery	CR 2450 3 V
Bluetooth version	5.x (D060577)

### REGULATIONS

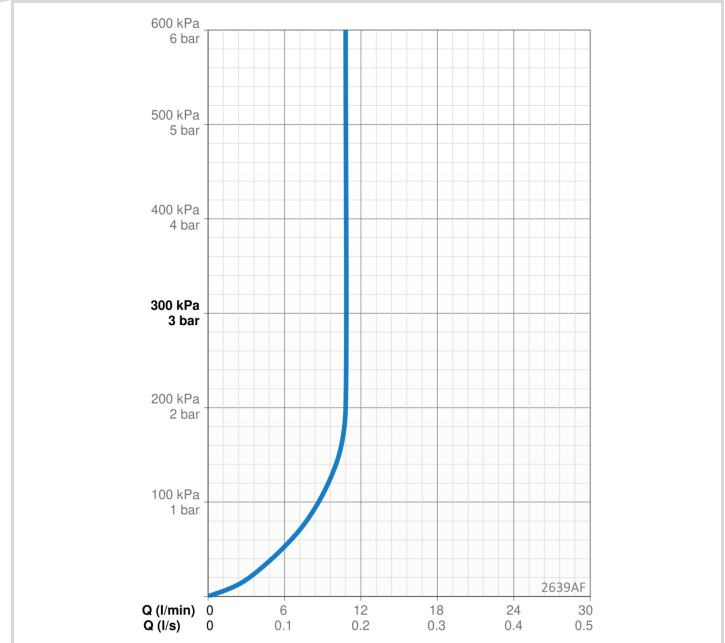
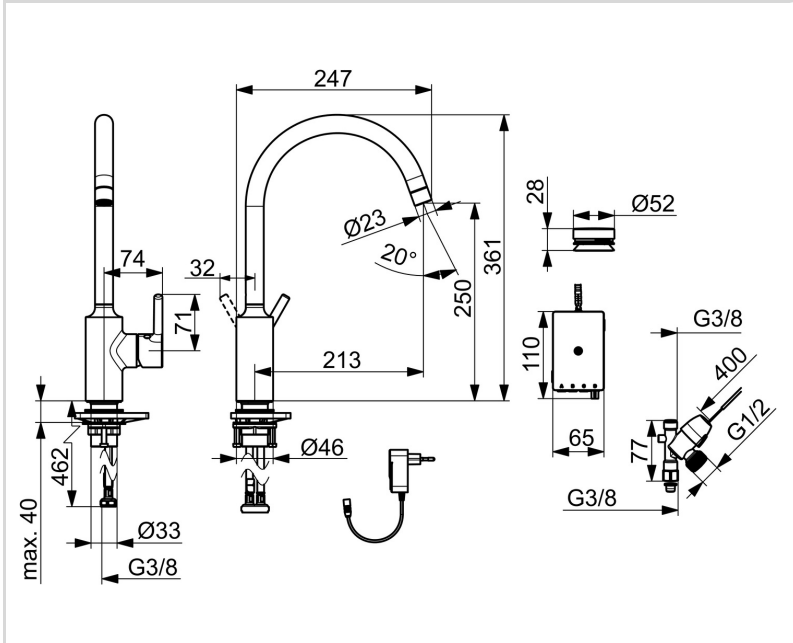
EU Directives	CE Radio Equipment Directive 2014/53/EU , Low Voltage Directive 2014/35/EU , EMC Directive 2014/30/EU , RoHS Directive 2011/65/EU
EN standard	ETSI EN 301 489-1 V1.9.2 , ETSI EN 300 328 v2.2.2, EN 18031-1, EN 61000-6-1:2007 , EN 61000-6-3:2007+A1:2011+AC:2012 , EN 60335-1:2012+A11+A13+A14+A15:2021, Part 19.11.4
Noise class	I (ISO 3822)
Protection class	IP 54 / transformer IP 20

### APPROVALS AND DECLARATIONS

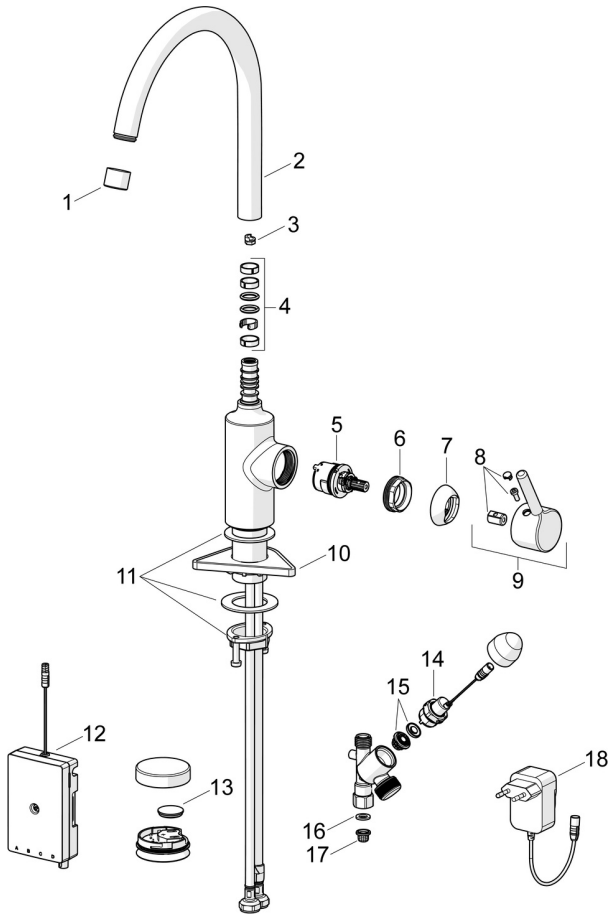
KIWA SE	1607
Declaration of conformity	RED
EPD	S-P-06396

**SUSTAINABILITY**

EPD module A1-A3 (kg CO2 eq.)	<b>14,99</b>
EPD module A4 (kg CO2 eq.)	<b>0,30</b>
EPD module B7 (kg CO2 eq.)	<b>4255,20</b>
EPD module C2 (kg CO2 eq.)	<b>0,02</b>
EPD module C3 (kg CO2 eq.)	<b>0,02</b>
EPD module C4 (kg CO2 eq.)	<b>0,45</b>
EPD module D (kg CO2 eq.)	<b>-8,47</b>



## SPARE PARTS



### SP2639AF

	Name	Code
01	Aerator, STD M22x1 CC A Chrome	1017047V
02	High spout, L=208 Chrome	1001058V
03	Spout overturning stopper, 60°/0°	159667/10
03	Spout overturning stopper, 60°/0°	159667V
03	Spout overturning stopper, 120°	159670/10
04	Sealing kit for spout	1001098V
05	Cartridge, 3.0	1014428V
06	Tightening nut, M34x1.5, SW30	1012133V
07	Covering cap Chrome	1012132V
08	Symbol plug Chrome	1012105V
09	Lever Chrome	1001748V
10	Supporting plate, 100x60mm	158825
11	Fixing set	602629V
12	Control unit, 9 V, Bluetooth	1015438V
13	Battery, CR2450 3 V Lithium	601468V
14	Pilot valve, 3 V	601884V-F
15	Membrane for solenoid valve	1006500V
16	Gasket, 18.5/12x2 EPD	438025/10
17	Litter filters	199257/2
18	Power supply, 230/9 V, 550 mA	199550