



2639FH-33 ORAS OPTIMA STYLE KITCHEN FAUCET WITH DISHWASHER VALVE, 9 V

SINGLE-LEVER, SIDE OPERATED, PLUG TRANSFORMER, DISHWASHER VALVE, BLUETOOTH®

EAN: 6414150102219 static.oras.com/2639FH-33

When great design becomes an attraction of its own, you know it will make a difference in your life. Besides bringing beauty to life, this new classic is also designed to bring any modern kitchen to the next level. Slender design and graceful shapes make this faucet the highlight of any space.



- Deck mounted
- Matt black
- Swivel spout
- Standard aerator
- Remote controlled stop valve for external equipment
- Single operating lever/handle, Pin shape, Hot/Cold symbols
- Limitation option for maximum temperature and flow-rate
- ø 30 mm ceramic cartridge for flow and temperature control
- Solenoid valve, Power supply
- Flexible inlet pipes
- Inner body made of DZR brass

TECHNICAL DATA

FLOW PROPERTIES

| | |
|-----------------------------------|----------|
| Flow-rate at 300 kPa | 0.18 l/s |
| Pressure loss with flow (0.2 l/s) | 375 kPa |

TECHNICAL PROPERTIES

| | |
|------------------------------|---------------|
| Hot water supply | max. +70°C |
| Working pressure | 50 - 1000 kPa |
| Connection size | G3/8 |
| Projection | 255 mm |
| Backflow prevention (EN1717) | EB |
| Material | Brass |

SOFTWARE SETTINGS

| | |
|------------------------------|------------|
| Dishwasher valve open period | 4 h / 12 h |
|------------------------------|------------|

ELECTRONIC PROPERTIES

| | |
|-----------------------|---------------|
| Electrical Connection | 230 / 9 V |
| Battery | CR 2450 3 V |
| Bluetooth version | 5.x (D060577) |

REGULATIONS

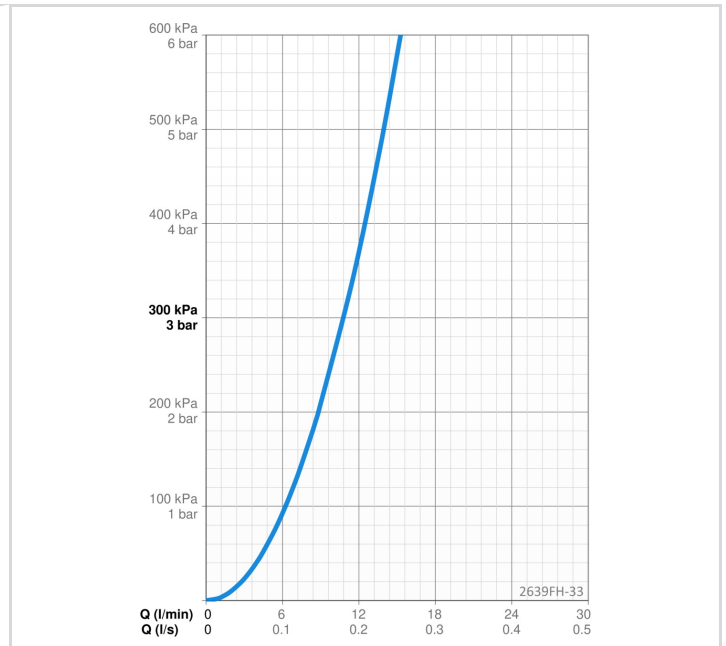
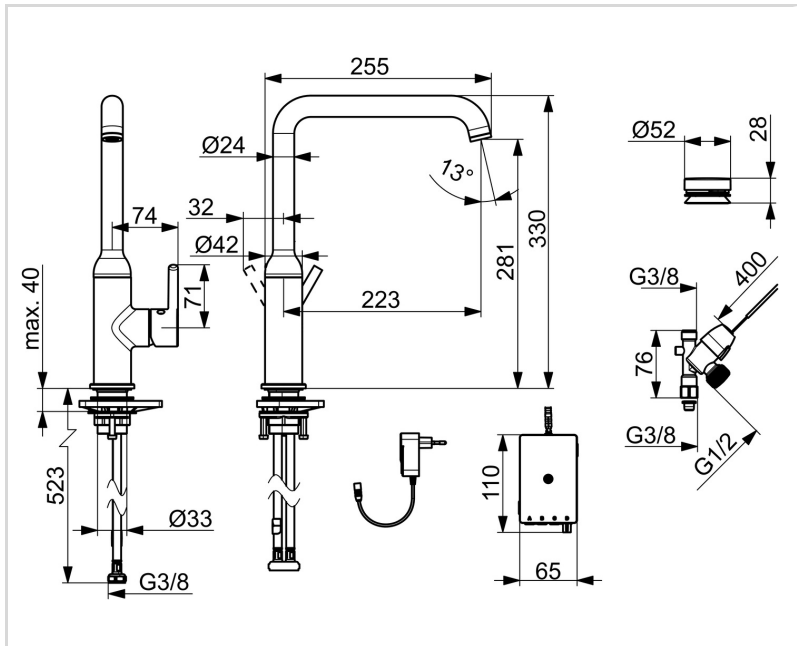
| | |
|------------------|---|
| EU Directives | CE Radio Equipment Directive 2014/53/EU , Low Voltage Directive 2014/35/EU , EMC Directive 2014/30/EU , RoHS Directive 2011/65/EU |
| EN standard | ETSI EN 301 489-1 V1.9.2 , ETSI EN 300 328 v2.2.2, EN 18031-1, EN 61000-6-1:2007 , EN 61000-6-3:2007+A1:2011+AC:2012 , EN 60335-1:2012+A11+A13+A14+A15:2021, Part 19.11.4 |
| Noise class | II (ISO 3822) |
| Protection class | IP 54 / transformer IP 20 |

APPROVALS AND DECLARATIONS

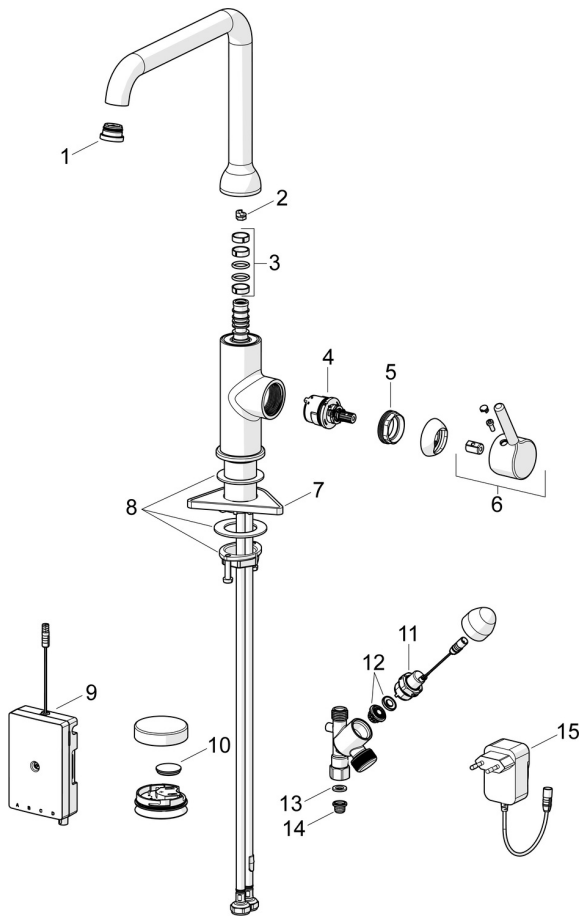
| | |
|---------------------------|-----------|
| KIWA SE | 1607 |
| Declaration of conformity | RED |
| EPD | S-P-06396 |

SUSTAINABILITY

| | |
|-------------------------------|---------|
| EPD module A1-A3 (kg CO2 eq.) | 14,07 |
| EPD module A4 (kg CO2 eq.) | 0,28 |
| EPD module B7 (kg CO2 eq.) | 4255,20 |
| EPD module C2 (kg CO2 eq.) | 0,02 |
| EPD module C3 (kg CO2 eq.) | 0,02 |
| EPD module C4 (kg CO2 eq.) | 0,43 |
| EPD module D (kg CO2 eq.) | -7,96 |



SPARE PARTS



SP2639FH-33

| Name | Code |
|---|-------------|
| 01 Aerator and key, Cascade SLC TJ A Matt black | 1014808V-33 |
| 02 Spout overturning stopper, 60°/0° | 159667/10 |
| 02 Spout overturning stopper, 60°/0° | 159667V |
| 02 Spout overturning stopper, 120° | 159670/10 |
| 03 Sealing kit for spout | 1001098V |
| 04 Cartridge, 3.0 | 1014428V |
| 05 Tightening nut, M34x1.5, SW30 | 1012133V |
| 06 Lever Matt black | 1001748V-33 |
| 07 Supporting plate, 100x60mm | 158825 |
| 08 Fixing set | 602629V |
| 09 Control unit, 9 V, Bluetooth | 1015438V |
| 10 Battery, CR2450 3 V Lithium | 601468V |
| 11 Pilot valve, 3 V | 601884V-F |
| 12 Membrane for solenoid valve | 1006500V |
| 13 Gasket, 18.5/12x2 EPD | 438025/10 |
| 14 Litter filters | 199257/2 |
| 15 Power supply, 230/9 V, 550 mA | 199550 |