



2639FH ORAS OPTIMA STYLE KITCHEN FAUCET WITH DISHWASHER VALVE, 9 V

SINGLE-LEVER, SIDE OPERATED, PLUG TRANSFORMER, DISHWASHER VALVE, BLUETOOTH®

EAN: 6414150102196 static.oras.com/2639FH

When great design becomes an attraction of its own, you know it will make a difference in your life. Besides bringing beauty to life, this new classic is also designed to bring any modern kitchen to the next level. Slender design and graceful shapes make this faucet the highlight of any space.

Single-lever, side-operated design with a swivel spout and standard aerator. The faucet is equipped with a remote-controlled dishwasher valve. The inner body is made of DZR brass, ensuring durability and longevity. The faucet also features a limitation option for maximum temperature and flow-rate. Bluetooth® connectable.



- Deck mounted
- Chrome
- Swivel spout
- Standard aerator
- Remote controlled stop valve for external equipment
- Single operating lever/handle, Pin shape, Hot/Cold symbols
- Limitation option for maximum temperature and flow-rate
- ø 30 mm ceramic cartridge for flow and temperature control
- Solenoid valve, Power supply
- Flexible inlet pipes
- Inner body made of DZR brass

TECHNICAL DATA

FLOW PROPERTIES

Flow-rate at 300 kPa	0.18 l/s
Pressure loss with flow (0.2 l/s)	375 kPa

TECHNICAL PROPERTIES

Hot water supply	max. +70°C
Working pressure	50 - 1000 kPa
Connection size	G3/8
Projection	255 mm
Backflow prevention (EN1717)	EB
Material	Brass

SOFTWARE SETTINGS

Dishwasher valve open period	4 h / 12 h
------------------------------	------------

ELECTRONIC PROPERTIES

Electrical Connection	230 / 9 V
Battery	CR 2450 3 V
Bluetooth version	5.x (D060577)

REGULATIONS

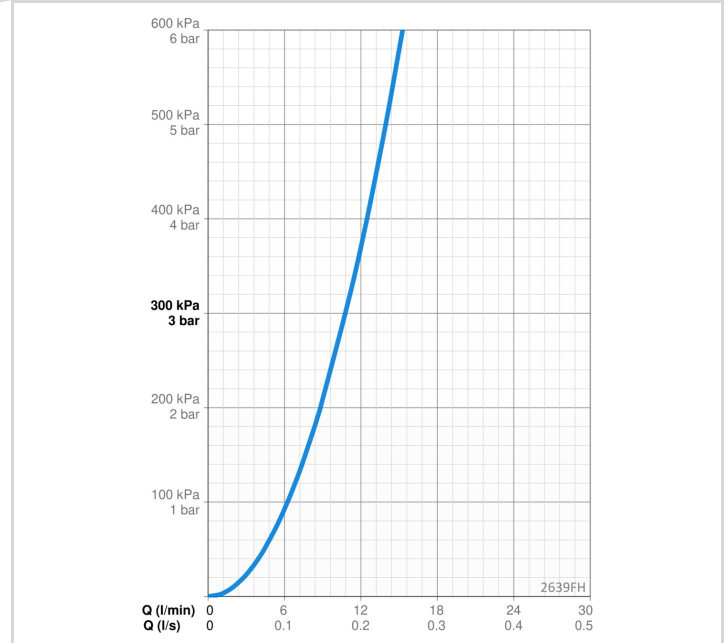
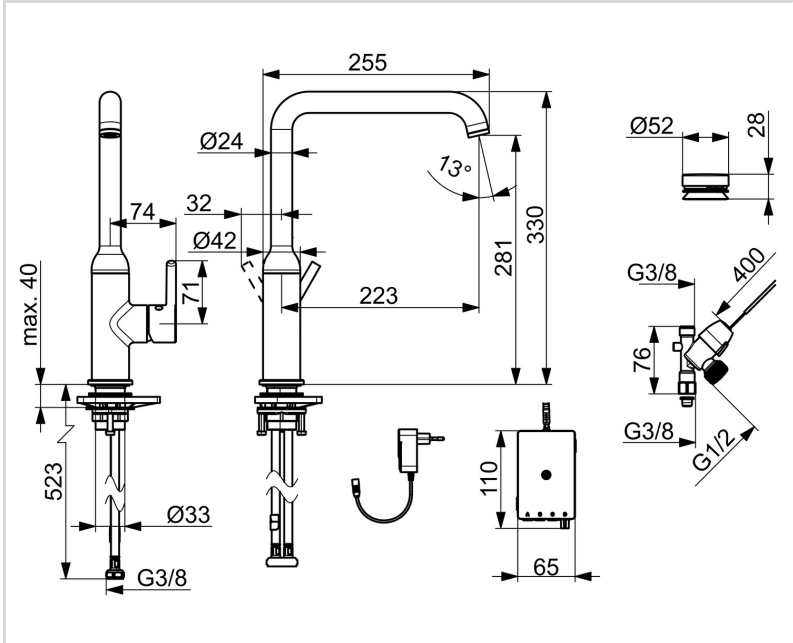
EU Directives	CE Radio Equipment Directive 2014/53/EU , Low Voltage Directive 2014/35/EU , EMC Directive 2014/30/EU , RoHS Directive 2011/65/EU
EN standard	ETSI EN 301 489-1 V1.9.2 , ETSI EN 300 328 v2.2.2, EN 18031-1, EN 61000-6-1:2007 , EN 61000-6-3:2007+A1:2011+AC:2012 , EN 60335-1:2012+A11+A13+A14+A15:2021, Part 19.11.4
Noise class	II (ISO 3822)
Protection class	IP 54 / transformer IP 20

APPROVALS AND DECLARATIONS

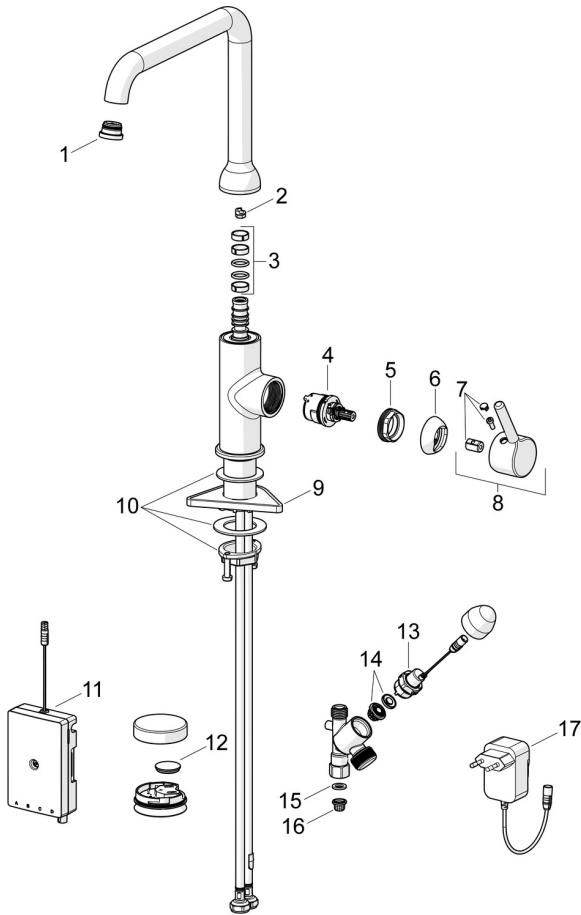
KIWA SE	1607
Declaration of conformity	RED
EPD	S-P-06396

SUSTAINABILITY

EPD module A1-A3 (kg CO2 eq.)	14,12
EPD module A4 (kg CO2 eq.)	0,28
EPD module B7 (kg CO2 eq.)	4255,20
EPD module C2 (kg CO2 eq.)	0,02
EPD module C3 (kg CO2 eq.)	0,02
EPD module C4 (kg CO2 eq.)	0,43
EPD module D (kg CO2 eq.)	-7,98



SPARE PARTS



SP2639FH

	Name	Code
01	Aerator and key, Cascade SLC TJ V Chrome	1014808V
02	Spout overturning stopper, 60°/0°	159667/10
02	Spout overturning stopper, 60°/0°	159667V
02	Spout overturning stopper, 120°	159670/10
03	Sealing kit for spout	1001098V
04	Cartridge, 3.0	1014428V
05	Tightening nut, M34x1.5, SW30	1012133V
06	Covering cap Chrome	1012132V
07	Symbol plug Chrome	1012105V
08	Lever Chrome	1001748V
09	Supporting plate, 100x60mm	158825
10	Fixing set	602629V
11	Control unit, 9 V, Bluetooth	1015438V
12	Battery, CR2450 3 V Lithium	601468V
13	Pilot valve, 3 V	601884V-F
14	Membrane for solenoid valve	1006500V
15	Gasket, 18.5/12x2 EPD	438025/10
16	Litter filters	199257/2
17	Power supply, 230/9 V, 550 mA	199550