



2639FHTZ-33 ORAS OPTIMA STYLE HYBRID KITCHEN FAUCET WITH DISHWASHER VALVE, 230/9 V, BLUETOOTH

HYBRID, PLUG TRANSFORMER, DISHWASHER VALVE, BLUETOOTH®

Upgrade your kitchen with the Oras Optima Style faucet in matt black. This smart, deck-mounted faucet includes a dishwasher valve and Bluetooth® for easy control. The single lever with hot/cold symbols allows precise temperature settings, and the swivel spout offers great flexibility. Made with durable DZR brass.



- Deck mounted
- Matt black
- Swivel spout
- Standard aerator
- Remote controlled stop valve for external equipment
- Single operating lever/handle, Hot/Cold symbols
- Limitation option for maximum temperature and flow-rate
- ø 30 mm ceramic cartridge for flow and temperature control
- Advanced PSD sensor, Solenoid valve, Power supply
- Flexible inlet pipes
- Inner body made of DZR brass

TECHNICAL DATA

FLOW PROPERTIES

Flow-rate at 300 kPa	0.18 l/s
Pressure loss with flow (0.2 l/s)	375 kPa

TECHNICAL PROPERTIES

Hot water supply	max. +70°C
Working pressure	50 - 1000 kPa
Connection size	G3/8
Projection	255 mm
Backflow prevention (EN1717)	EB
Material	Brass

SOFTWARE SETTINGS

Automatic flush	off (off/1-120 h)
Automatic flush period	30 s (1-1800 s)
Dishwasher valve open period	4 h / 12 h
Max. flow period	10 s (1-1800s)

ELECTRONIC PROPERTIES

Electrical Connection	230 / 9 V
Battery	CR 2450 3 V
Bluetooth version	5.x (D060576)

REGULATIONS

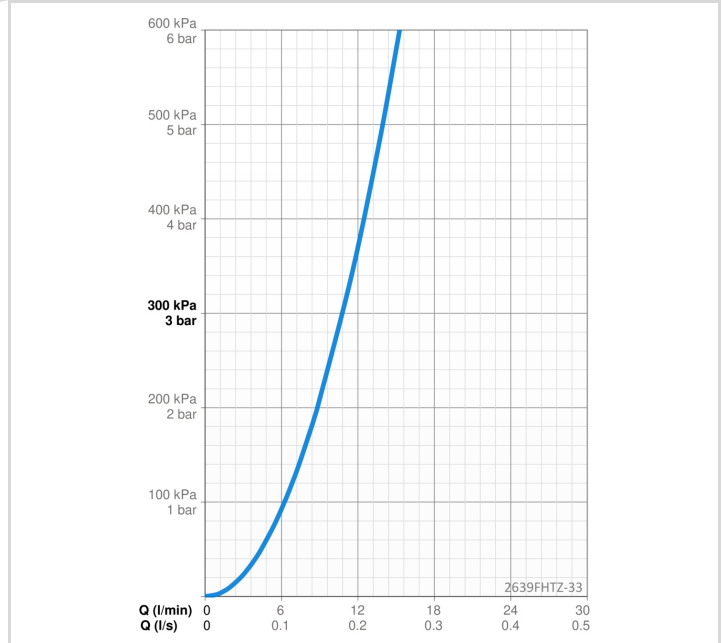
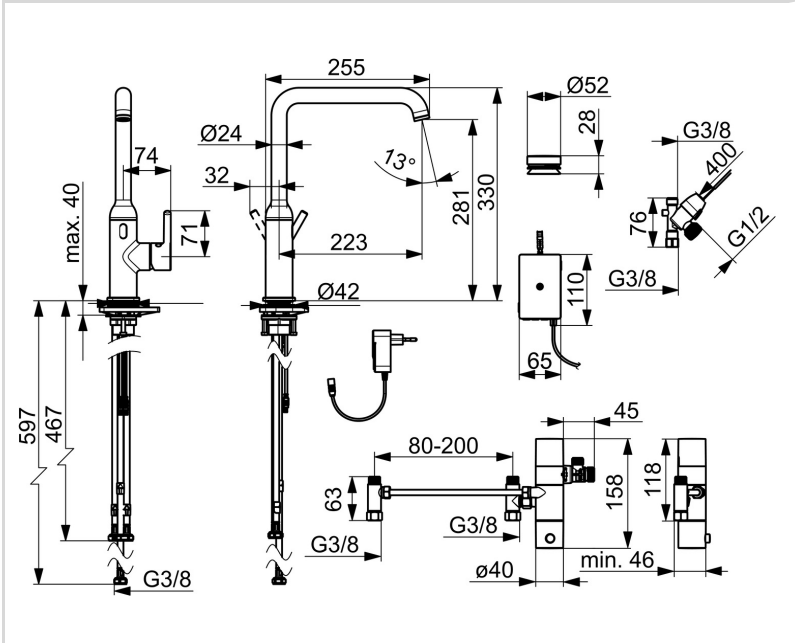
EU Directives	CE Radio Equipment Directive 2014/53/EU , Low Voltage Directive 2014/35/EU , EMC Directive 2014/30/EU , RoHS Directive 2011/65/EU
EN standard	ETSI EN 301 489-1 V1.9.2 , ETSI EN 300 328 v2.2.2, EN 18031-1, EN 61000-6-1:2007 , EN 61000-6-3:2007+A1:2011+AC:2012 , EN 60335-1:2012+A11+A13+A14+A15:2021, Part 19.11.4
Noise class	II (ISO 3822)
Protection class	IP 54 / transformer IP 20

APPROVALS AND DECLARATIONS

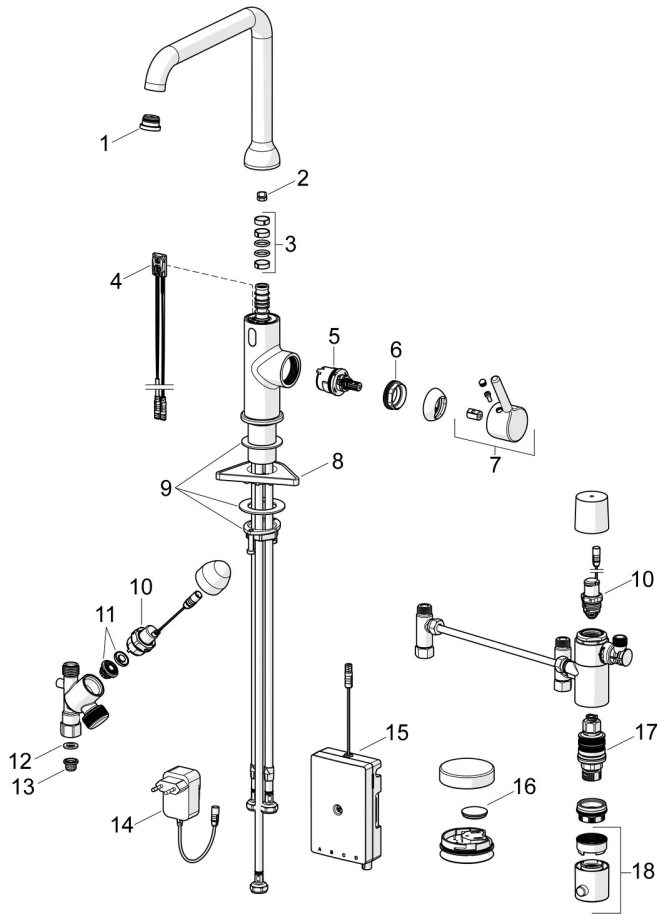
KIWA SE	1628
Declaration of conformity	RED
EPD	S-P-07817

SUSTAINABILITY

EPD module A1-A3 (kg CO2 eq.)	26,95
EPD module A4 (kg CO2 eq.)	0,73
EPD module B7 (kg CO2 eq.)	2127,60
EPD module C2 (kg CO2 eq.)	0,03
EPD module C3 (kg CO2 eq.)	0,04
EPD module C4 (kg CO2 eq.)	0,69
EPD module D (kg CO2 eq.)	-13,07



SPARE PARTS



SP2639FHTZ-33

	Name	Code
01	Aerator and key, Cascade SLC TJ A Matt black	1014808V-33
02	Spout overturning stopper, 60°/0°	159667/10
02	Spout overturning stopper, 60°/0°	159667V
02	Spout overturning stopper, 120°	159670/10
03	Sealing kit for spout	1001098V
04	Sensor, 3/9 V, Bluetooth	1014212V
05	Cartridge, 3.0	1014428V
06	Tightening nut, M34x1.5, SW30	1012133V
07	Lever Matt black	1001748V-33
08	Supporting plate, 100x60mm	158825
09	Fixing set	602629V
10	Pilot valve, 3 V	601884V-F
11	Membrane for solenoid valve	1006500V
12	Gasket, 18.5/12x2 EPD	438025/10
13	Litter filters	199257/2
14	Power supply, 230/9 V, 550 mA	199550
15	Control unit, 9 V, Bluetooth	1015438V
16	Battery, CR2450 3 V Lithium	601468V
17	Thermostatic cartridge	178780V
18	Temperature control handle Chrome	602062V