



When great design becomes an attraction of its own, you know it will make a difference in your life. Besides bringing beauty to life, this new classic is also designed to bring any modern bathroom to the next level.

Elegant designed Rosetta for good installation coverage  
High quality  
Sleek design  
Made in Europe

Shower faucet - Perfect fit for any bathroom

- Wall mounted
- Chrome
- Single operating lever/handle, Pin shape, Hot/Cold symbols
- Limitation option for maximum temperature and flow-rate, Adjustable hot water stop (included, retrofittable)
- ø 40 mm ceramic cartridge for flow and temperature control, Non-return valve(s)
- Eccentric coupling(s), Cover plate(s)
- Inner body made of DZR brass
- protected against back-flow in domestic use (according to DIN EN 1717)

## TECHNICAL DATA

### FLOW PROPERTIES

Flow-rate at 300 kPa **0.21 l/s**

### TECHNICAL PROPERTIES

Hot water supply **max. +80°C**  
Working pressure **50 - 1000 kPa**  
Connection size **G3/4**  
Installation width **150 ± 15 mm**  
Backflow prevention (EN1717) **EB**  
Material **Brass**

### REGULATIONS

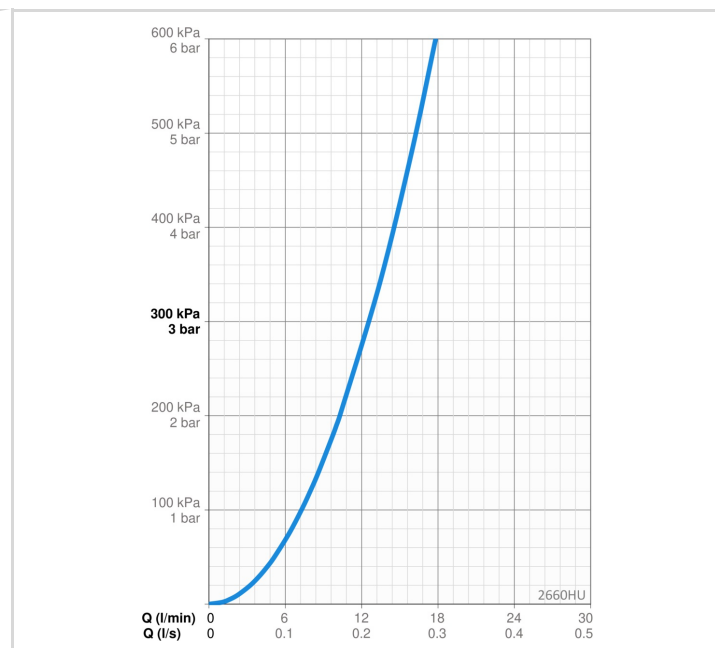
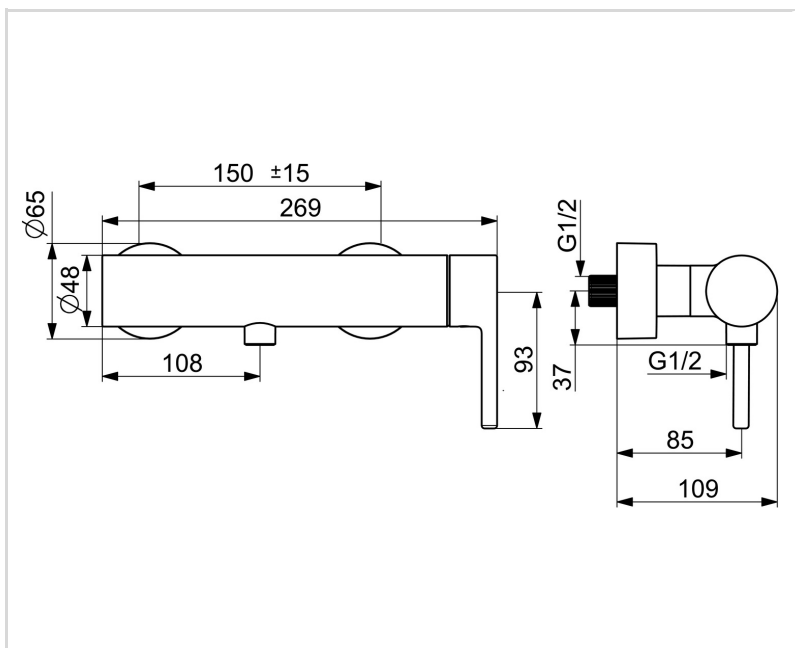
EN standard **EN 817**  
Noise class **I (ISO 3822)**

### APPROVALS AND DECLARATIONS

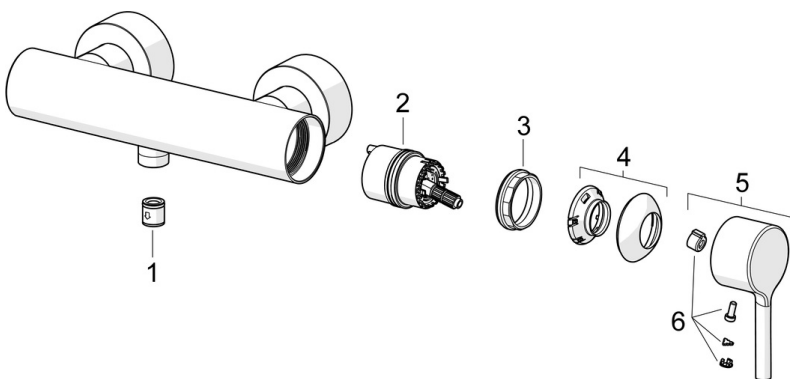
Declaration of conformity **DoC**  
EPD **S-P-06397**

### SUSTAINABILITY

EPD module A1-A3 (kg CO2 eq.) **11,06**  
EPD module A4 (kg CO2 eq.) **0,39**  
EPD module B7 (kg CO2 eq.) **2215,50**  
EPD module C2 (kg CO2 eq.) **0,02**  
EPD module C3 (kg CO2 eq.) **0,02**  
EPD module C4 (kg CO2 eq.) **0,79**  
EPD module D (kg CO2 eq.) **-7,02**



**SPARE PARTS**



**SP2660HU**

Name	Code
01 Non-return valve	601989V
02 Cartridge	1003691V
03 Tightening nut, M42x1.5, SW 38	158726
04 Covering cap Chrome	1001740V
05 Lever Chrome	1011901V
06 Symbol plug	1002323V