



Washbasin faucet with an easy-grip lever. Fixed spout and aerator. Oras Bidetta hand shower, shower hose and wall bracket.

F = with flexible pipes

- Deck mounted
- Chrome
- Fixed spout
- Standard aerator
- Easy-Grip surface, Single operating lever/handle, Hot/Cold symbols
- Hand shower, Shower holder, Shower hose (1500 mm)
- Bidetta hand shower
- Limitation option for maximum temperature and flow-rate
- ø 40 mm ceramic cartridge for flow and temperature control
- Flexible inlet pipes
- Surfaces in contact with drinking water contain less than 0.3% lead
- 1 spray function

TECHNICAL DATA

FLOW PROPERTIES

Flow-rate at 300 kPa	0.12 l/s
Pressure loss with flow (0.1 l/s)	200 kPa

TECHNICAL PROPERTIES

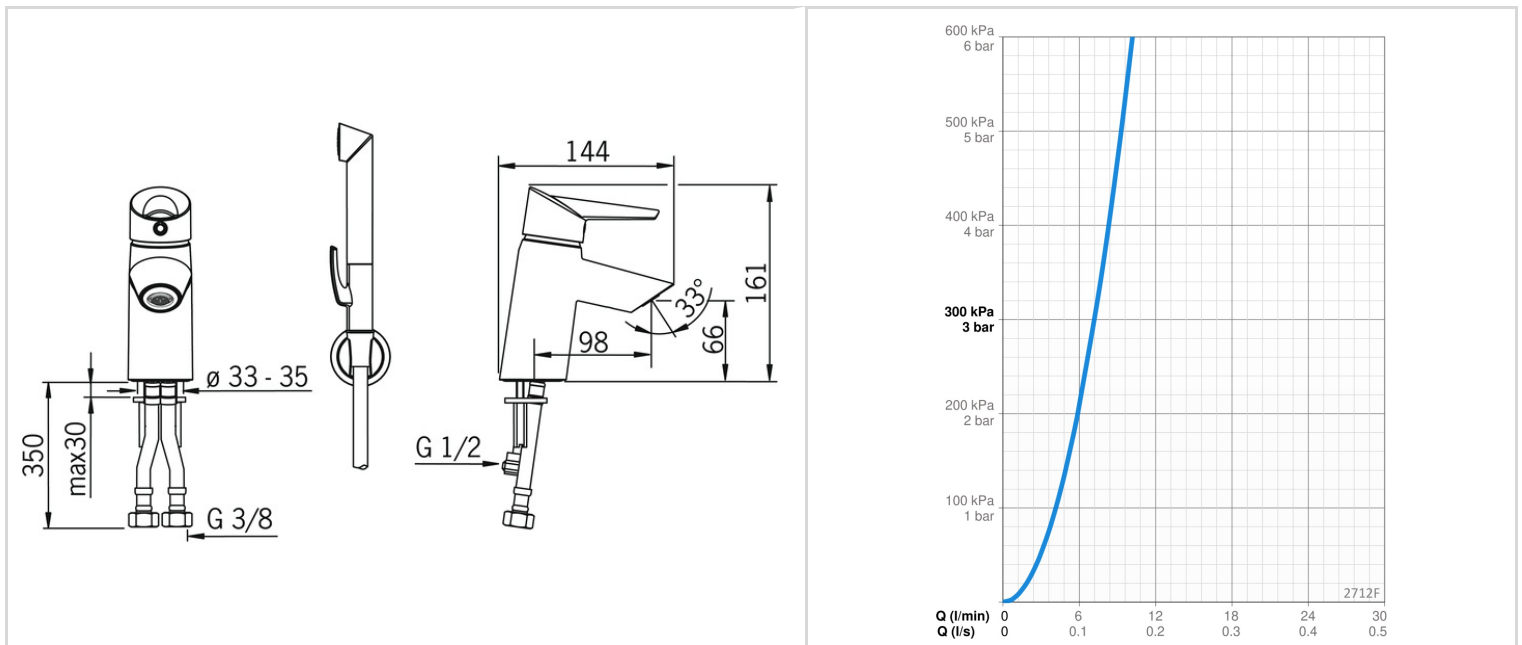
Hot water supply	max. +70°C
Working pressure	50 - 1000 kPa
Connection size	G3/8
Projection	98 mm
Backflow prevention (EN1717)	HC
Material	Brass/Composite

REGULATIONS

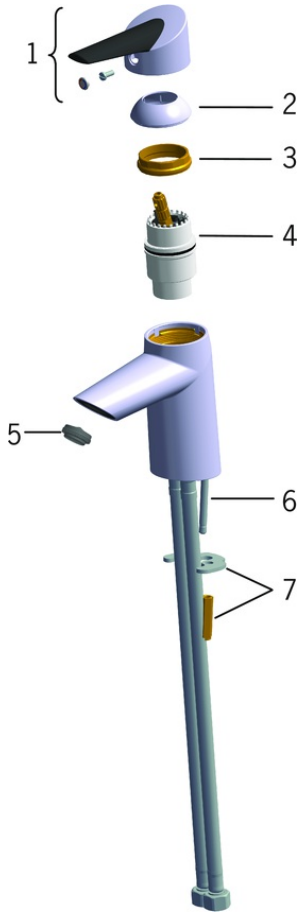
EN standard	EN 817, EN 1113
Noise class	I (ISO 3822)

APPROVALS AND DECLARATIONS

KIWA SE	1461
Declaration of conformity	DoC

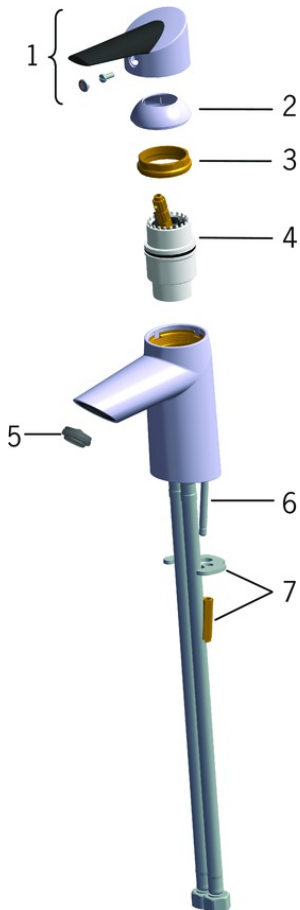


SPARE PARTS



SP2710F

	Name	Code
01	Lever	601319V
02	Covering cap Chrome	159053V
03	Tightening nut, M42x1.5, SW 38	158726
04	Cartridge	158890
05	Aerator, M24x1 STD HC A	601500V
06	Fixing screw (10 pcs), M6x55	158727/10
07	Fixing plates with nuts	158697



SP0046

	Name	Code
01	Nipple	159684