



# 2720F ORAS OPTIMA HYBRID KITCHEN FAUCET, 3 V

HYBRID, BATTERY-OPERATED

EAN: 6414150070037 [static.oras.com/2720F](http://static.oras.com/2720F)



Kitchen faucet with easy-grip levers for hot and cold water, touchless function, high swivel spout and aerator. The flow-rate of hot and cold water is adjusted by separate levers. Spout's swing angle is factory preset at 120° (can be limited to 60° or 80°). The touchless function is turned on by taking hands within the recognition range. The water temperature for the touchless function is adjusted by turning the ring between the faucet and the spout. Touchless function can be easily switched on/off. Battery operated, 3 V. The faucet is equipped with litter filters.

F = with flexible pipes

- Public & Semi-public
- Deck mounted
- Chrome
- Swivel spout, Swivel range limiting option
- Standard aerator
- Two operating levers/handles, Easy-Grip surface
- Ceramic head part for flow control, Mixing valve for manual temperature control, Litter filter(s)
- Autofocus infrared sensor, Solenoid valve, Light indicated function(s), Low battery indicator
- Flexible inlet pipes
- Inner body made of DZR brass, Surfaces in contact with drinking water contain less than 0.3% lead, Waterways without nickel coating

## TECHNICAL DATA

### FLOW PROPERTIES

Flow-rate at 300 kPa	0.2 l/s
Pressure loss with flow (0.2 l/s)	290 kPa

### TECHNICAL PROPERTIES

Hot water supply	max. +70°C
Working pressure	100 - 1000 kPa
Connection size	G3/8
Projection	193 mm
Backflow prevention (EN1717)	AA
Material	Brass/Composite

### SOFTWARE SETTINGS

Afterflow period	4 s
Automatic flush	off
Automatic flush period	30 s
Max. flow period	40 s

### ELECTRONIC PROPERTIES

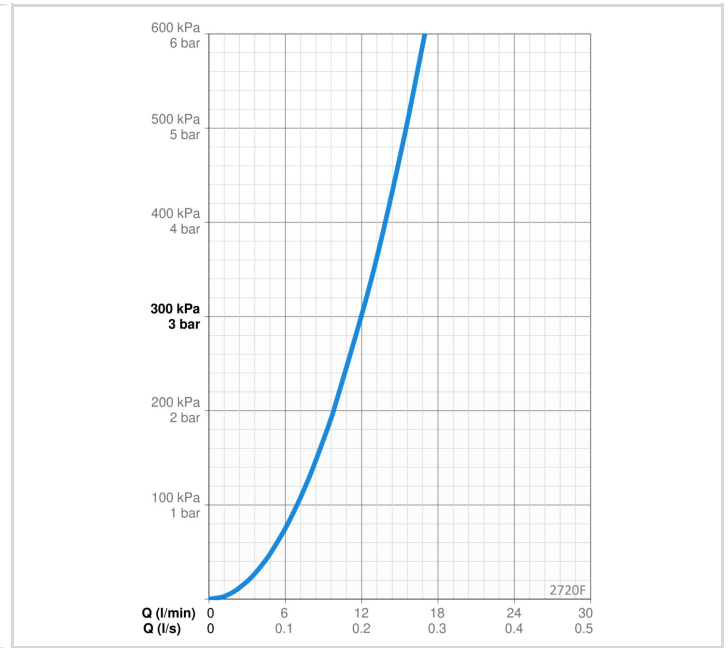
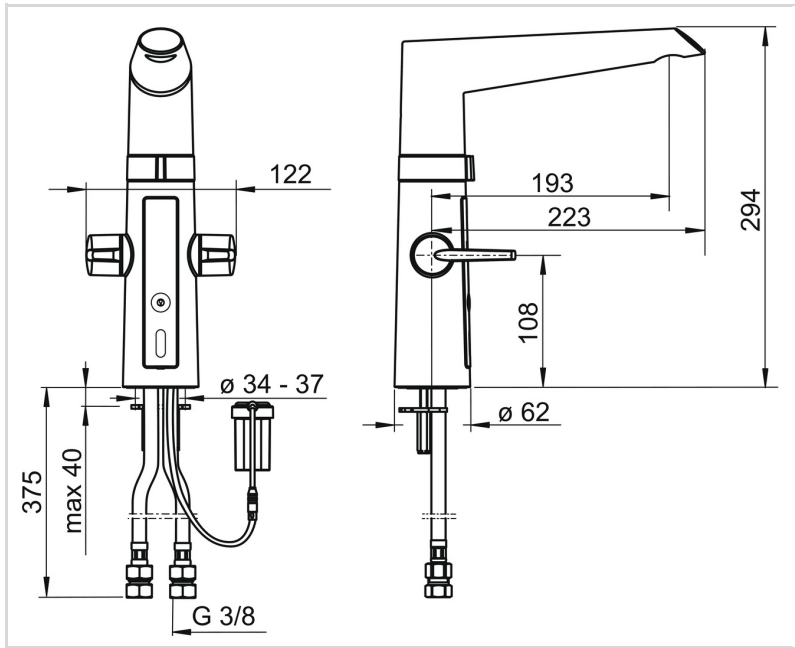
Battery	AA 1.5 V Lithium x 2
---------	----------------------

### REGULATIONS

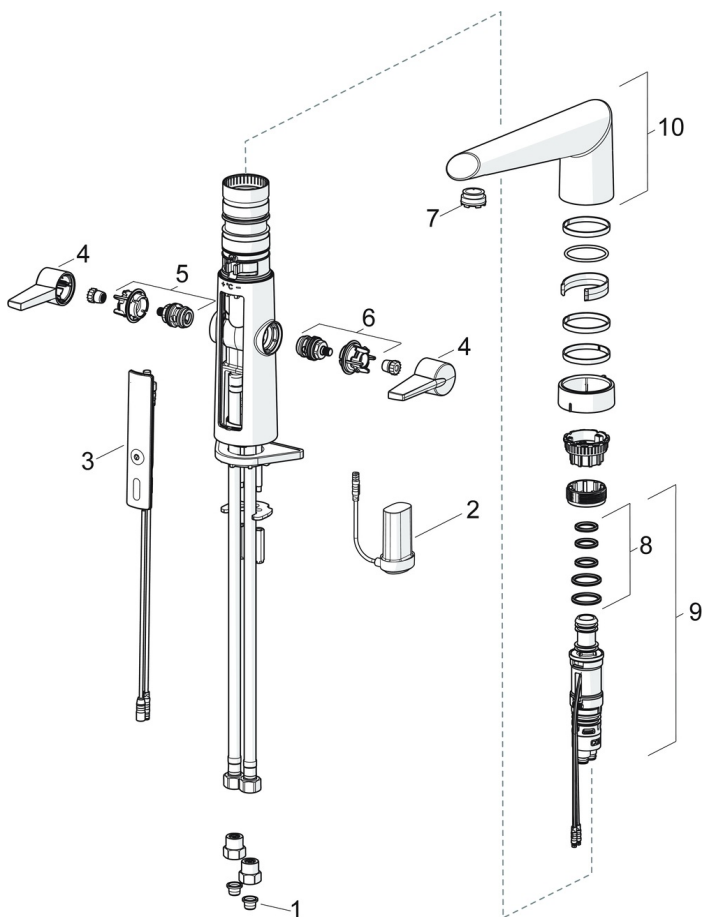
EU Directives	CE EMC Directive 2014/30/EU , RoHS Directive 2011/65/EU
EN standard	EN 15091 , EN 817, ETSI EN 301 489-1 V1.9.2 , ETSI EN 300 328 v2.2.2 , EN 61000-6-1:2007 , EN 61000-6-3:2007+A1:2011+AC:2012 , EN 60335-1:2012+A11+A13+A14+A14+A2+A15:2021, Part 19.11.4
Noise class	I (ISO 3822)
Protection class	IP 54

### APPROVALS AND DECLARATIONS

STF certificate	EUF129-20002662-TH2
Sintef	Sintef Nr. 3083
KIWA SE	1462
UN38.3	UN38-3 Energizer L91
Declaration of conformity	EMC



**SPARE PARTS**



**SP2720F**

Name	Code
01 Litter filters	199257/2
02 Battery casing	600617V
03 User interface, 2720F	601227V
04 Lever	601094/2
05 Headpart for hot water	601092V
06 Headpart for cold water	601091V
07 Aerator and key, M24x1 STD CC S	601287V
08 Sealing kit	601072V
09 Temperature regulator, 2720F, 2725F	601106V
10 Spout Chrome	601103V