



# 2728F ORAS OPTIMA SEMIPRO KITCHEN FAUCET, 230/5 V

HYBRID, PLUG TRANSFORMER

EAN: 6414150079542 [static.oras.com/2728F](http://static.oras.com/2728F)

Kitchen faucet with easy-grip levers for hot and cold water, touchless function, temperature display with hot water warning, flexible high swivel spout and aerator. The flow-rate of hot and cold water is adjusted by separate levers. Spout's swing angle is factory preset at 120° (can be limited to 60° or 80°). The touchless function is turned on by taking hands within the recognition range. The water temperature for the touchless function is adjusted by turning the ring between the faucet and the spout. Touchless function can be easily switched on/off. Electrical connection with a plug transformer 230/5 V. The faucet is equipped with litter filters. F = with flexible pipes.



- Public & Semi-public
- Deck mounted
- Chrome
- Swivel spout, Flexible model, Swivel range limiting option
- Easy-Grip surface, Two operating levers/handles
- Push operated diverter, Automatic reset
- Ceramic head part for flow control, Mixing valve for manual temperature control, Litter filter(s)
- Autofocus infrared sensor, Solenoid valve, Power supply, Light indicated function(s)
- Flexible inlet pipes
- Inner body made of DZR brass, Surfaces in contact with drinking water contain less than 0.3% lead, Waterways without nickel coating
- Soft- and Needle-Spray
- 2 spray functions

## TECHNICAL DATA

### FLOW PROPERTIES

Flow-rate at 300 kPa	0.2 l/s
Pressure loss with flow (0.2 l/s)	300 kPa

### TECHNICAL PROPERTIES

DN-size (nominal dimension)	DN15
Hot water supply	max. +70°C
Working pressure	100 - 1000 kPa
Connection size	G3/8
Projection	200 mm
Backflow prevention (EN1717)	AA
Material	Brass/Composite

### SOFTWARE SETTINGS

Afterflow period	4 s (2/4/8/10/20 s)
Automatic flush	off (off/12/24/48/72 h)
Automatic flush period	30 s (10/30/60/120/180 s)
Max. flow period	40 s (10/40/60/120/180 s)

### ELECTRONIC PROPERTIES

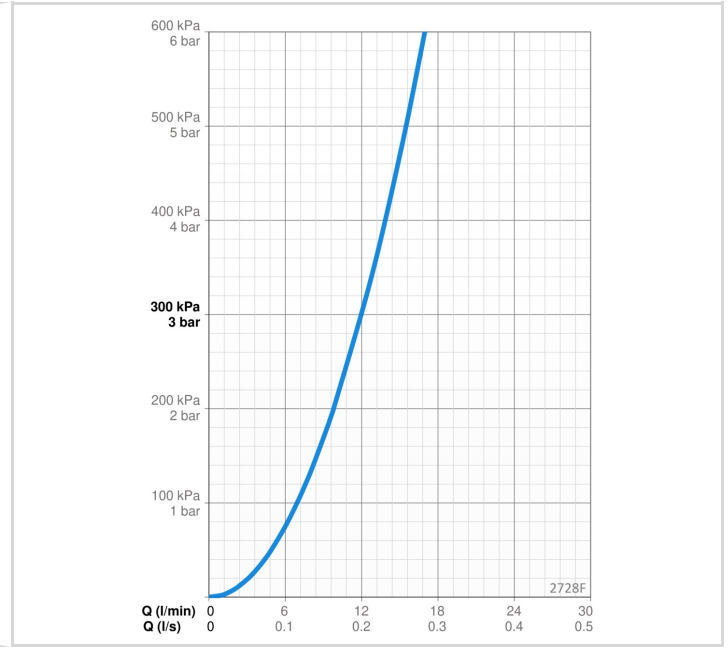
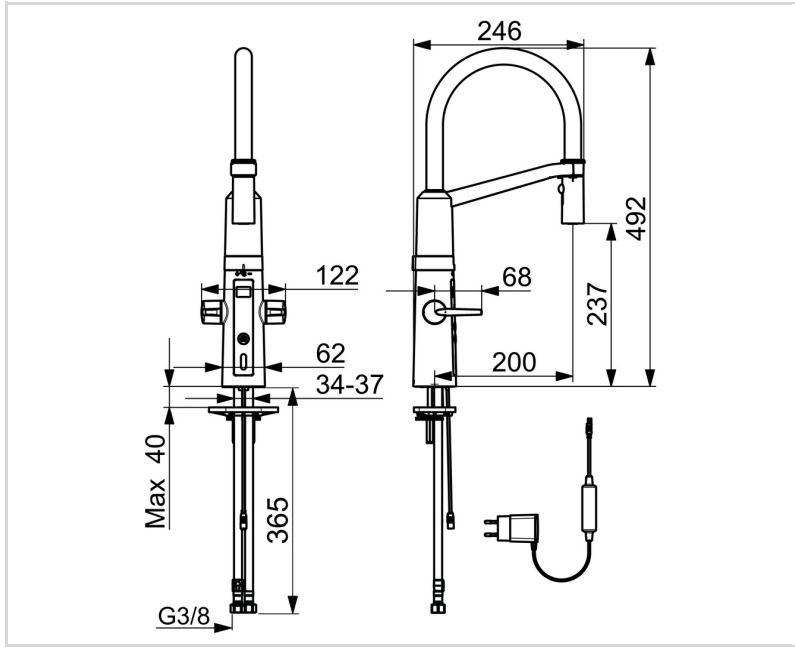
Electrical Connection	230 / 5 V
-----------------------	-----------

### REGULATIONS

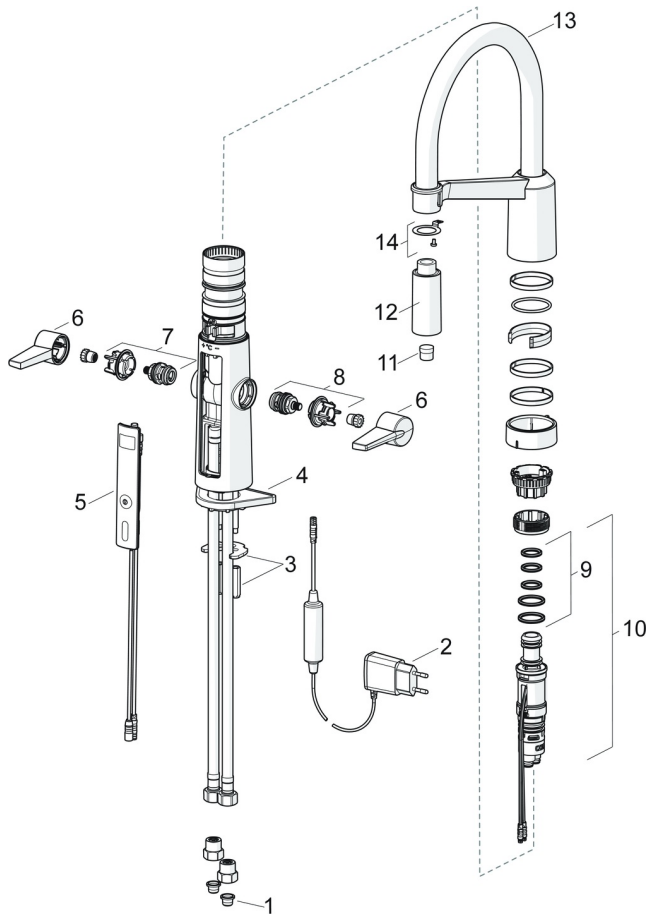
EU Directives	CE Low Voltage Directive 2014/35/EU , EMC Directive 2014/30/EU , RoHS Directive 2011/65/EU
EN standard	EN 15091, ETSI EN 301 489-1 V1.9.2 , ETSI EN 300 328 v2.2.2 , EN 61000-6-1:2007 , EN 61000-6-3:2007+A1:2011+AC:2012 , EN 60335-1:2012+A11+A13+A14+A15:2021, Part 19.11.4
Noise class	I (ISO 3822) Oras lab.
Protection class	IP 54 / transformer IP 20

### APPROVALS AND DECLARATIONS

STF certificate	EUFI29-20002662-TH2
KIWA SE	1628
Declaration of conformity	LVD



**SPARE PARTS**



**SP2728F**

Name	Code
01 Litter filters	199257/2
02 Power supply, 5 V	601472V
03 Fixing plates with nuts	158697
04 Supporting plate, 100x60mm	158825
05 User interface	601224V
06 Lever	601094/2
07 Headpart for hot water	601092V
08 Headpart for cold water	601091V
09 Sealing kit	601072V
10 Temperature regulator	1003246V
11 Aerator	1000972V
12 Shower head Chrome	1001321V
13 High spout Chrome	1002660V
14 Fixing part Discontinued	1001323V