



# 2729F ORAS OPTIMA SEMIPRO KITCHEN FAUCET WITH DISHWASHER VALVE, 230/5 V

HYBRID, PLUG TRANSFORMER, DISHWASHER VALVE

EAN: 6414150079559 [static.oras.com/2729F](http://static.oras.com/2729F)



Kitchen faucet with easy-grip levers for hot and cold water, touchless function, temperature display with hot water warning, flexible high swivel spout, aerator and smart dishwasher valve. The flow-rate of hot and cold water is adjusted by separate levers. Spout's swing angle is factory preset at 120° (can be limited to 60° or 80°). The touchless function is turned on by taking hands within the recognition range. The water temperature for the touchless function is adjusted by turning the ring between the faucet and the spout. Touchless function can be easily switched on/off. The dishwasher valve is opened by pressing a switch with signal light, and the valve closes automatically after preset period. Dishwasher valve closes automatically after 4 or 12 hours (one push opens the valve for 4 hours, pushing for 5 seconds opens the valve for 12 hours). Electrical connection with a plug transformer 230/5 V. The faucet is equipped with litter filters.

F = with flexible pipes

- Public & Semi-public
- Deck mounted
- Chrome
- Swivel spout, Flexible model, Swivel range limiting option
- Electronic stop valve for external equipment
- Easy-Grip surface, Two operating levers/handles
- Push operated diverter, Automatic reset
- Ceramic head part for flow control, Mixing valve for manual temperature control, Litter filter(s)
- Autofocus infrared sensor, Solenoid valve, Power supply, Light indicated function(s)
- Flexible inlet pipes
- Inner body made of DZR brass, Surfaces in contact with drinking water contain less than 0.3% lead, Waterways without nickel coating
- Soft- and Needle-Spray
- 2 spray functions

## TECHNICAL DATA

### FLOW PROPERTIES

Flow-rate at 300 kPa	0.2 l/s
Pressure loss with flow (0.2 l/s)	300 kPa

### TECHNICAL PROPERTIES

DN-size (nominal dimension)	DN15
Hot water supply	max. +70°C
Working pressure	100 - 1000 kPa
Connection size	G3/8
Projection	200 mm
Backflow prevention (EN1717)	AA
Material	Brass/Composite

### SOFTWARE SETTINGS

Afterflow period	4 s (2/4/8/10/20 s)
Automatic flush	off (off/12/24/48/72 h)
Automatic flush period	30 s (10/30/60/120/180 s)
Dishwasher valve open period	4 h / 12 h
Max. flow period	40 s (10/40/60/120/180 s)

### ELECTRONIC PROPERTIES

Electrical Connection	230 / 5 V
-----------------------	-----------

### REGULATIONS

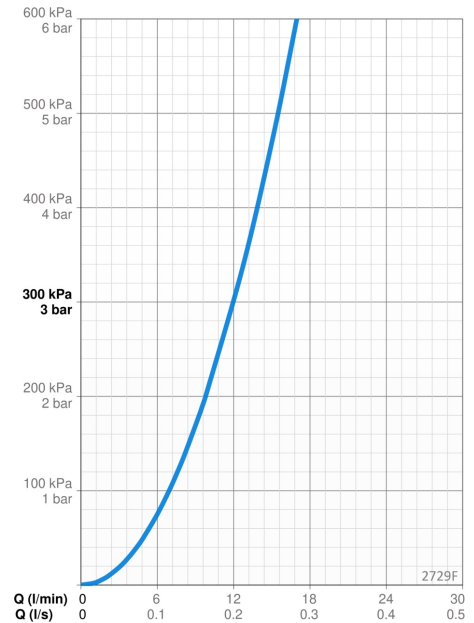
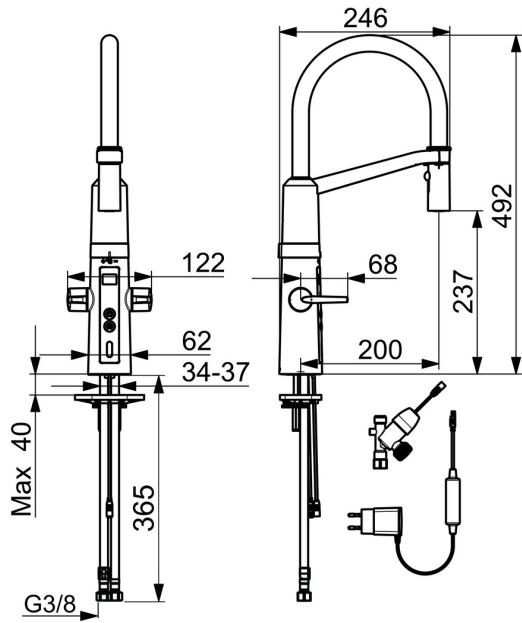
EU Directives	CE Low Voltage Directive 2014/35/EU , EMC Directive 2014/30/EU , RoHS Directive 2011/65/EU
EN standard	EN 1111 , EN 15091, ETSI EN 301 489-1 V1.9.2 , ETSI EN 300 328 v2.2.2 , EN 61000-6-1:2007 , EN 61000-6-3:2007+A1:2011+AC:2012 , EN 60335-1:2012+A11+A13+A14+A15:2021, Part 19.11.4
Noise class	I (ISO 3822) Oras lab.
Protection class	IP 54 / transformer IP 20

**APPROVALS AND DECLARATIONS**

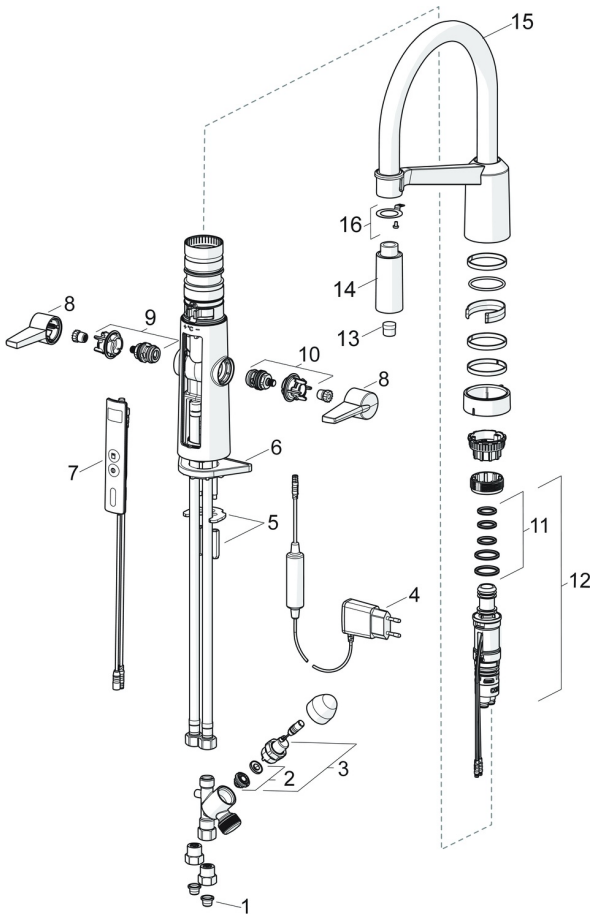
STF certificate	<b>EUFI29-20002662-TH2</b>
KIWA SE	<b>1628</b>
Declaration of conformity	<b>LVD</b>
EPD	<b>S-P-07817</b>

**SUSTAINABILITY**

EPD module A1-A3 (kg CO2 eq.)	<b>29,90</b>
EPD module A4 (kg CO2 eq.)	<b>0,81</b>
EPD module B7 (kg CO2 eq.)	<b>2364,00</b>
EPD module C2 (kg CO2 eq.)	<b>0,04</b>
EPD module C3 (kg CO2 eq.)	<b>0,04</b>
EPD module C4 (kg CO2 eq.)	<b>0,77</b>
EPD module D (kg CO2 eq.)	<b>-14,50</b>



## SPARE PARTS



### SP2729F

	Name	Code
01	Litter filters	199257/2
02	Membrane Discontinued	601512V
02	Membrane for solenoid valve	1006500V
03	Solenoid valve complete, 3 V	601307V
04	Power supply, 5 V	601472V
05	Fixing plates with nuts	158697
06	Supporting plate, 100x60mm	158825
07	User interface	601223V
08	Lever	601094/2
09	Headpart for hot water	601092V
10	Headpart for cold water	601091V
11	Sealing kit	601072V
12	Temperature regulator	1003246V
13	Aerator	1000972V
14	Shower head Chrome	1001321V
15	High spout Chrome	1002660V
16	Fixing part Discontinued	1001323V