



Kitchen faucet with an easy-grip lever, high swivel spout and aerator. Spout's swing angle is factory preset at 120° (can be limited to 0° or 60°).

F = with flexible pipes.

- Deck mounted
- Chrome
- Swivel spout, Swivel range limiting option
- Standard aerator
- Easy-Grip surface, Single operating lever/handle, Hot/Cold symbols
- Limitation option for maximum temperature and flow-rate
- ø 40 mm ceramic cartridge for flow and temperature control
- Flexible inlet pipes
- Inner body made of DZR brass, Surfaces in contact with drinking water contain less than 0.3% lead, Waterways without nickel coating

TECHNICAL DATA

FLOW PROPERTIES

| | |
|-----------------------------------|-----------------|
| Flow-rate at 300 kPa | 0.22 l/s |
| Pressure loss with flow (0.2 l/s) | 250 kPa |

TECHNICAL PROPERTIES

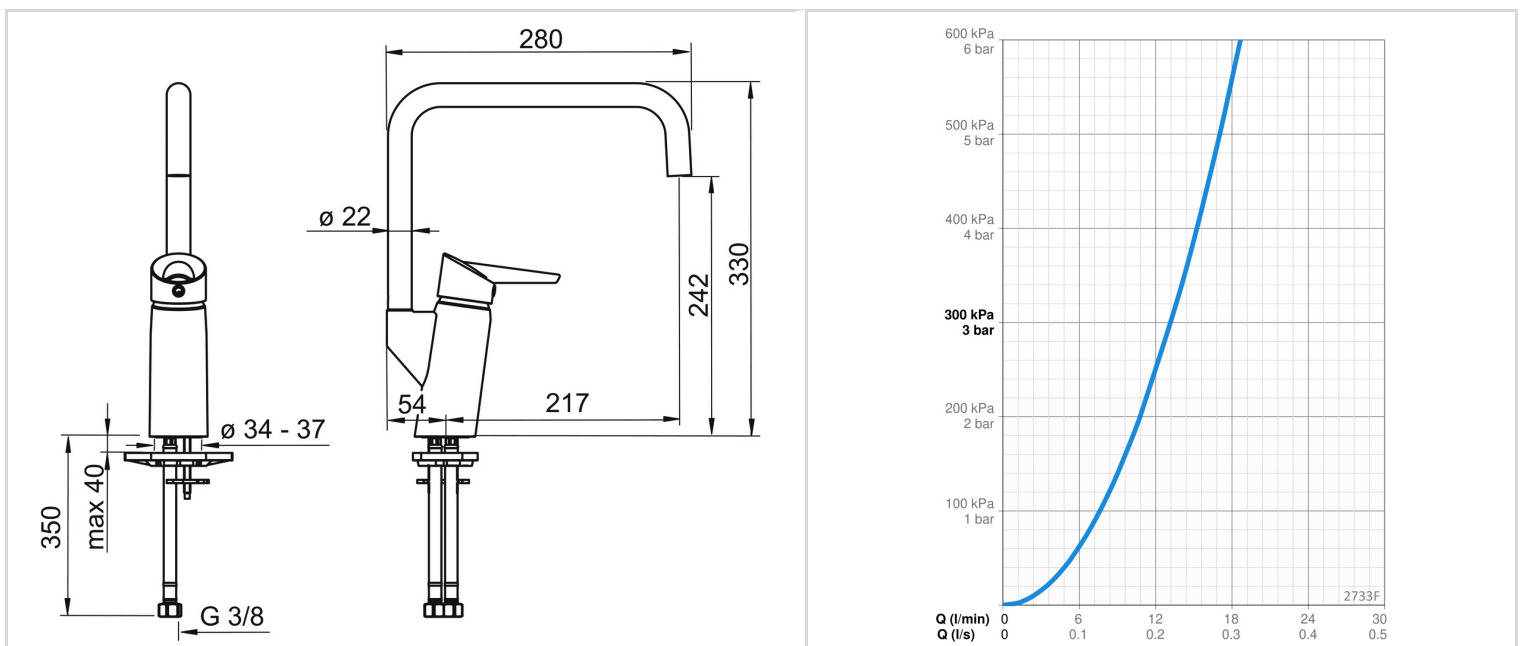
| | |
|------------------------------|------------------------|
| Hot water supply | max. +70°C |
| Working pressure | 50 - 1000 kPa |
| Connection size | G3/8 |
| Projection | 217 mm |
| Backflow prevention (EN1717) | AA |
| Material | Brass/Composite |

REGULATIONS

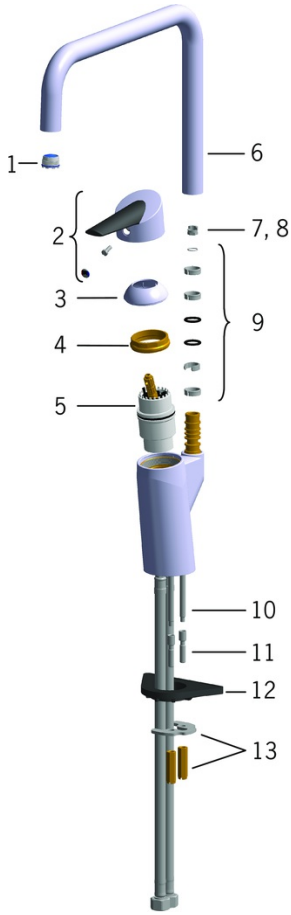
| | |
|-------------|---------------------|
| EN standard | EN 817 |
| Noise class | I (ISO 3822) |

APPROVALS AND DECLARATIONS

| | |
|---------------------------|-------------|
| KIWA SE | 1461 |
| Declaration of conformity | DoC |



SPARE PARTS



SP2733F

| | Name | Code |
|----|-----------------------------------|-------------|
| 01 | Aerator and key, M18.5x1 Chrome | 859338V |
| 02 | Lever | 601319V |
| 03 | Covering cap Chrome | 159053V |
| 04 | Tightening nut, M42x1.5, SW 38 | 158726 |
| 05 | Cartridge | 158890 |
| 06 | Spout | 601304V |
| 07 | Spout overturning stopper, 120° | 159670/10 |
| 08 | Spout overturning stopper, 60°/0° | 159667/10 |
| 08 | Spout overturning stopper, 60°/0° | 159667V |
| 09 | Sealing kit for spout | 198287V |
| 10 | Fixing screw, M6x65 Discontinued | 158747/10 |
| 11 | Extension screw kit, M6 Chrome | 158893 |
| 12 | Supporting plate, 100x60mm | 158825 |
| 13 | Fixing plates with nuts | 158697 |