



2734FHN ORAS OPTIMA STYLE KITCHEN FAUCET WITH DISHWASHER VALVE, 3 V

SINGLE-LEVER, BATTERY-OPERATED, DISHWASHER VALVE, BLUETOOTH®

EAN: 6414150102424 static.oras.com/2734FHN

When great design becomes an attraction of its own, you know it will make a difference in your life. Besides bringing beauty to life, this new classic is also designed to bring any modern kitchen to the next level. Slender design and graceful shapes make this faucet the highlight of any space.

Oras Optima Style Kitchen Faucet with Dishwasher Valve. Includes an electronic stop valve for external equipment, making it a smart choice for any kitchen. Swivel spout make cleaning and washing dishes easier and more convenient. The Oras Optima Style Kitchen Faucet comes with a limitation option for maximum temperature and flow-rate adjustments. The faucet is equipped with a \varnothing 40 mm ceramic cartridge for flow and temperature control. Bluetooth® connectable.



- Deck mounted
- Chrome
- Swivel spout
- Standard aerator
- Electronic stop valve for external equipment
- Limitation option for maximum temperature and flow-rate
- \varnothing 40 mm ceramic cartridge for flow and temperature control
- Flexible inlet pipes

TECHNICAL DATA

FLOW PROPERTIES

Flow-rate at 300 kPa	0.2 l/s
Pressure loss with flow (0.2 l/s)	300 kPa

TECHNICAL PROPERTIES

Hot water supply	max. +70°C
Working pressure	50 - 1000 kPa
Connection size	G3/8
Backflow prevention (EN1717)	EB
Material	Brass

SOFTWARE SETTINGS

Dishwasher valve open period	4 h / 12 h
------------------------------	------------

ELECTRONIC PROPERTIES

Battery	AA 1.5 V Lithium x 2
Bluetooth version	5.x (D060577)

REGULATIONS

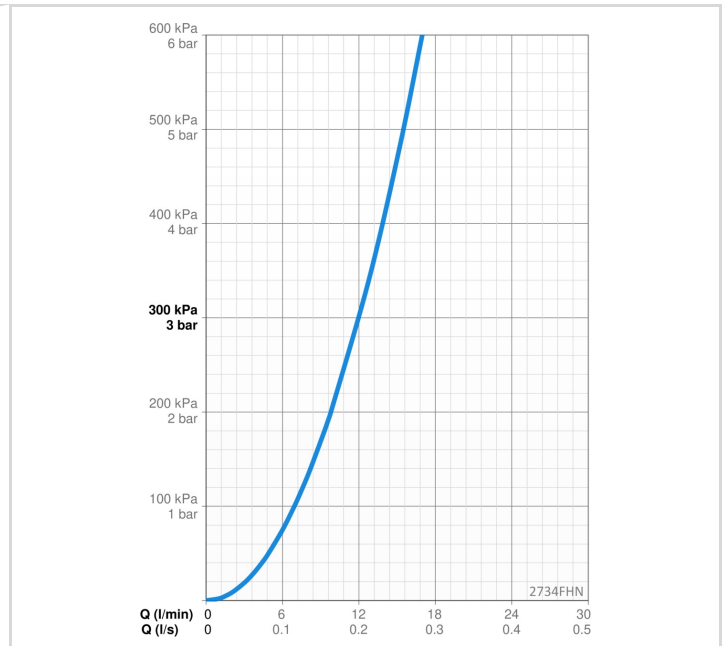
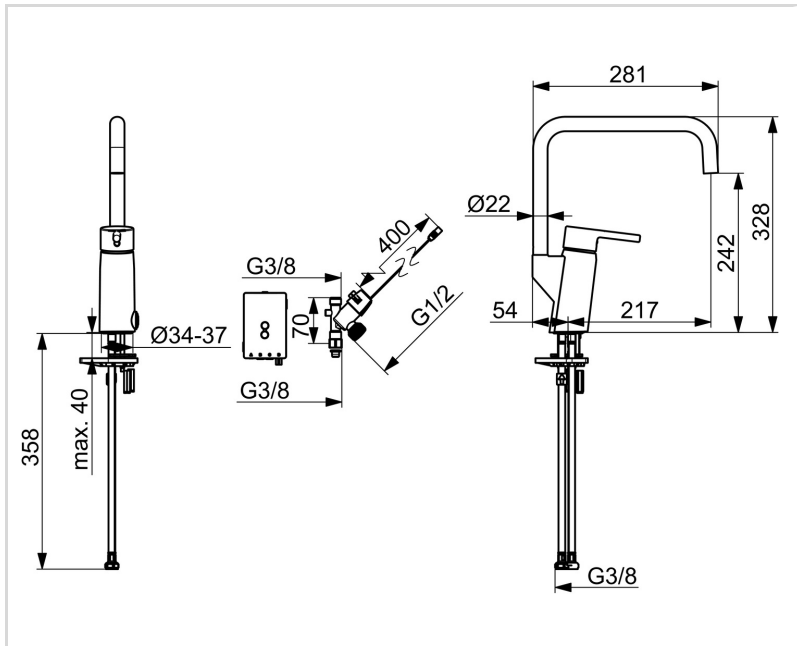
EU Directives	CE Radio Equipment Directive 2014/53/EU , Low Voltage Directive 2014/35/EU , EMC Directive 2014/30/EU , RoHS Directive 2011/65/EU
EN standard	ETSI EN 301 489-1 V1.9.2 , ETSI EN 300 328 v2.2.2, EN 18031-1, EN 61000-6-1:2007 , EN 61000-6-3:2007+A1:2011+AC:2012 , EN 60335-1:2012+A11+A13+A14+A15:2021, Part 19.11.4
Noise class	I (ISO 3822)
Protection class	IP 55

APPROVALS AND DECLARATIONS

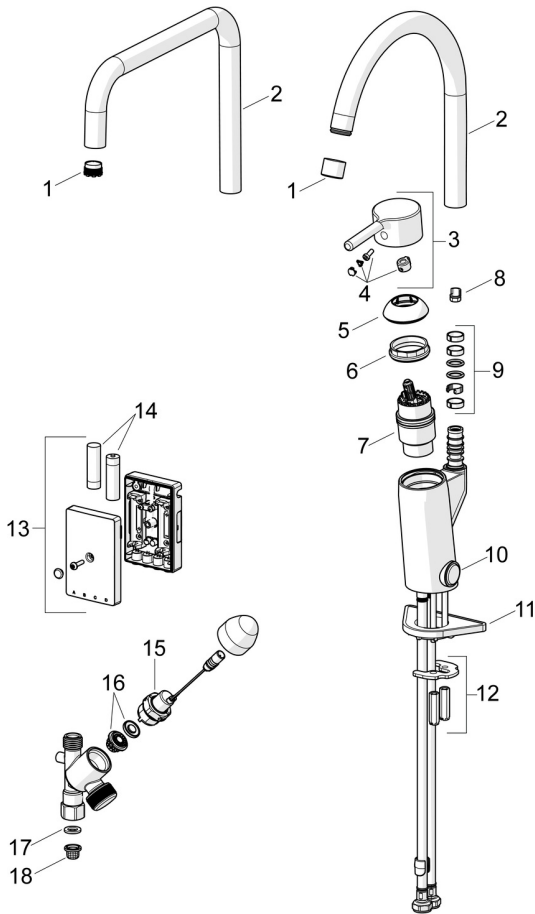
STF certificate	EUF129-24003510-TH
KIWA SE	1607
Declaration of conformity	RED
EPD	S-P-06396

SUSTAINABILITY

EPD module A1-A3 (kg CO2 eq.)	15,78
EPD module A4 (kg CO2 eq.)	0,31
EPD module B7 (kg CO2 eq.)	4728,00
EPD module C2 (kg CO2 eq.)	0,02
EPD module C3 (kg CO2 eq.)	0,03
EPD module C4 (kg CO2 eq.)	0,48
EPD module D (kg CO2 eq.)	-8,92



SPARE PARTS



SP2839FN

Name	Code
01 Aerator and key, M18.5x1 Chrome	859338V
01 Aerator, M22x1 STD CC A Chrome	1001070V
02 Spout	601304V
02 High spout, L=208 Chrome	1001058V
03 Lever Chrome	1015157V
04 Symbol plug	1002323V
05 Covering cap Chrome	159053V
06 Tightening nut, M42x1.5, SW 38	158726
07 Cartridge	158890
08 Limiter, 120°	602499V
09 Sealing kit for spout	1001098V
10 Push button, 3 V Chrome	1004296V
11 Supporting plate, 100x60mm	158825
12 Fixing plates with nuts	158697
13 Control unit, 3 V, Bluetooth	1005266V
14 Battery, (2x) 1.5 V AA Lithium	600599V
15 Pilot valve, 3 V	601884V-F
16 Membrane for solenoid valve	1006500V
17 Gasket, 18.5/12x2 EPD	438025/10
18 Litter filters	199257/2