



2739F ORAS OPTIMA SEMIPRO KITCHEN FAUCET WITH DISHWASHER VALVE, 6 V

SINGLE-LEVER, SIDE OPERATED, BATTERY-OPERATED, DISHWASHER VALVE

EAN: 6414150079573 static.oras.com/2739F

Kitchen faucet with side operated easy-grip lever, flexible high swivel spout, aerator and smart dishwasher valve. Spout's swing angle is factory preset at 120° (can be limited to 60° or 80°). Dishwasher valve closes automatically after 4 or 12 hours (one push opens the valve for 4 hours, pushing for 5 seconds opens the valve for 12 hours). Battery operated, 6 V. The faucet is equipped with litter filters. F = with flexible pipes.



- Deck mounted
- Chrome
- Swivel spout, Flexible model, Swivel range limiting option
- Electronic stop valve for external equipment
- Easy-Grip surface, Single operating lever/handle, Hot/Cold symbols
- Normal - Even and soft water stream, Intense - invigorating water stream
- Limitation option for maximum temperature and flow-rate
- ø 40 mm ceramic cartridge for flow and temperature control, Litter filter(s)
- Solenoid valve, Light indicated function(s), Low battery indicator
- Flexible inlet pipes
- Inner body made of DZR brass, Surfaces in contact with drinking water contain less than 0.3% lead, Waterways without nickel coating
- 2 spray functions

TECHNICAL DATA

FLOW PROPERTIES

Flow-rate at 300 kPa	0.2 l/s
Pressure loss with flow (0.2 l/s)	300 kPa

TECHNICAL PROPERTIES

DN-size (nominal dimension)	DN15
Hot water supply	max. +70°C
Working pressure	100 - 1000 kPa
Connection size	G3/8
Projection	200 mm
Backflow prevention (EN1717)	AA
Material	Brass/Composite

SOFTWARE SETTINGS

Dishwasher valve open period	4 h / 12 h
------------------------------	------------

ELECTRONIC PROPERTIES

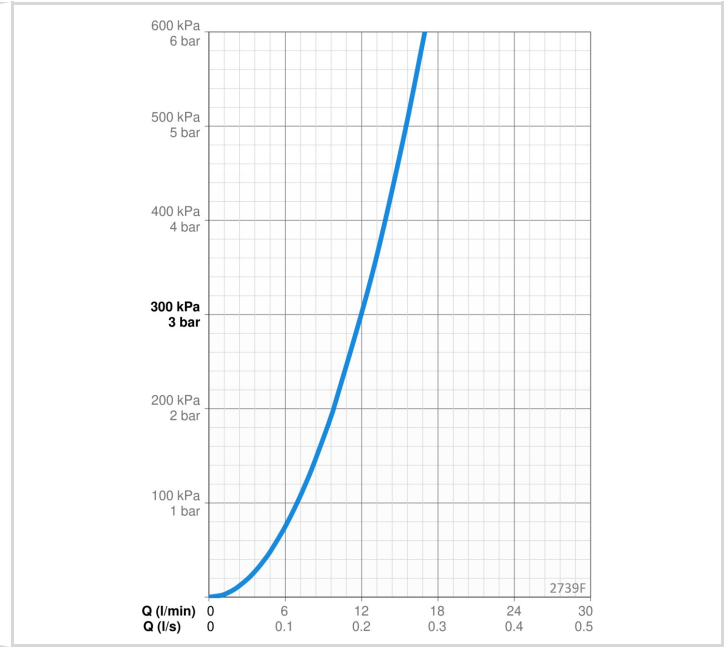
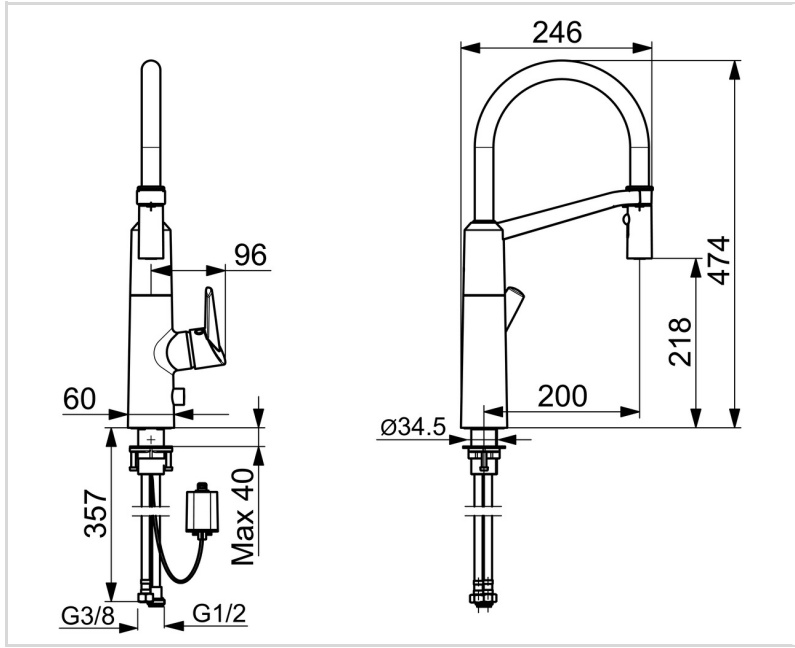
Battery	Lithium 2CR5 6 V
---------	------------------

REGULATIONS

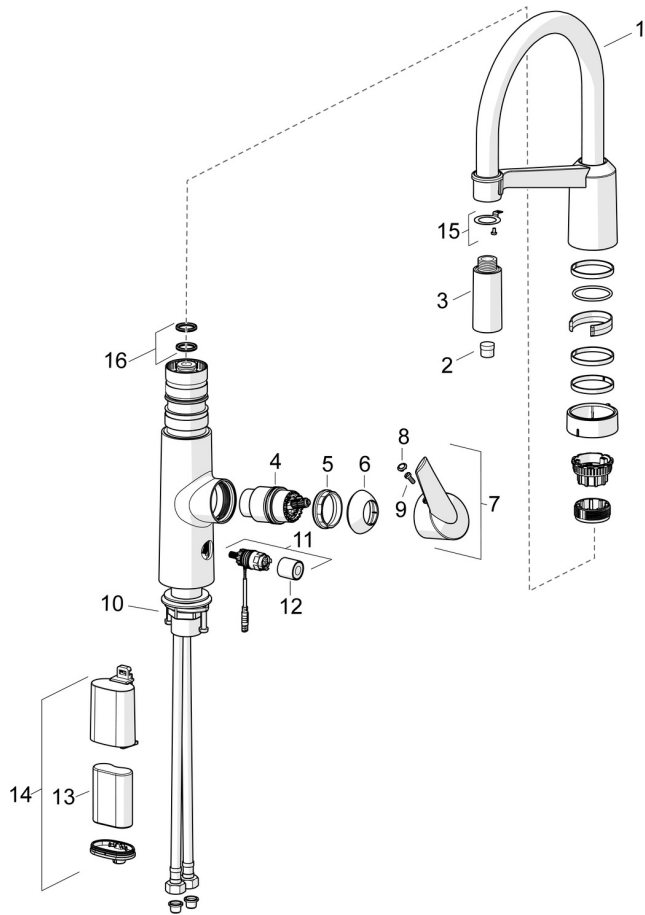
EU Directives	CE EMC Directive 2014/30/EU , RoHS Directive 2011/65/EU
EN standard	EN 817, EN 15091, ETSI EN 301 489-1 V1.9.2 , ETSI EN 300 328 v2.2.2 , EN 61000-6-1:2007 , EN 61000-6-3:2007+A1:2011+AC:2012 , EN 60335-1:2012+A11+A13+A14+A15:2021, Part 19.11.4
Noise class	I (ISO 3822) Oras lab.
Protection class	IP 55

APPROVALS AND DECLARATIONS

STF certificate	EUF129-20002662-TH2
KIWA SE	1607
UN38.3	UN38-3 Maxell 2CR5
Declaration of conformity	EMC



SPARE PARTS



SP2739F

Name	Code
01 High spout Chrome	1002660V
02 Aerator	1000972V
03 Shower head Chrome	1001321V
04 Cartridge	158890
05 Tightening nut, M42x1.5, SW 38	158726
06 Covering cap Chrome	159053V
07 Lever	601319V
08 Symbol plug	159020/10
09 Screw set, M4x10	159248/10
10 Fixing set	602629V
11 Solenoid valve	600047V
12 Cap	600093V
13 Lithium battery, 2CR5 6 V	198330
14 Battery casing, 2CR5 6 V	199417V
15 Fixing part Discontinued	1001323V
16 Sealing kit	601072V