



Elegant Handshower designed to fit in every bathroom.

Our 3-spray handshower is easy to operate with a nice designed push button to easily change the water sprays.

The hand shower slider is designed for an easy grip and easy adjustment in height with just one hand.

Easy, simple and elegant for any bathroom

- Wall mounted
- Matt black
- Hand shower, Shower rail, Adjustable shower rail bracket, Soap dish, Shower hose (1750 mm), Variable fixing points, Anti limescale technology (easy to clean), Twist guard for shower hose
- Normal - Even and soft water stream, Massage - Strong water stream due to rotatable spray nozzles, Rain - Even and strong water stream
- Flexible length / can be shortened, Anti-twist hose connector
- 3 spray functions

## TECHNICAL DATA

### FLOW PROPERTIES

Flow-rate at 300 kPa (with flow controller)	<b>0.20 l/s</b>
Pressure loss with flow (0.2 l/s)	<b>300 kPa</b>

### TECHNICAL PROPERTIES

Hot water supply	<b>max. +65°C</b>
Working pressure	<b>50 - 500 kPa</b>
Diameter	<b>Ø 22 mm</b>
Installation width	<b>max 720 mm</b>
Length / Height	<b>766 mm</b>
Material	<b>Brass/Composite</b>

### REGULATIONS

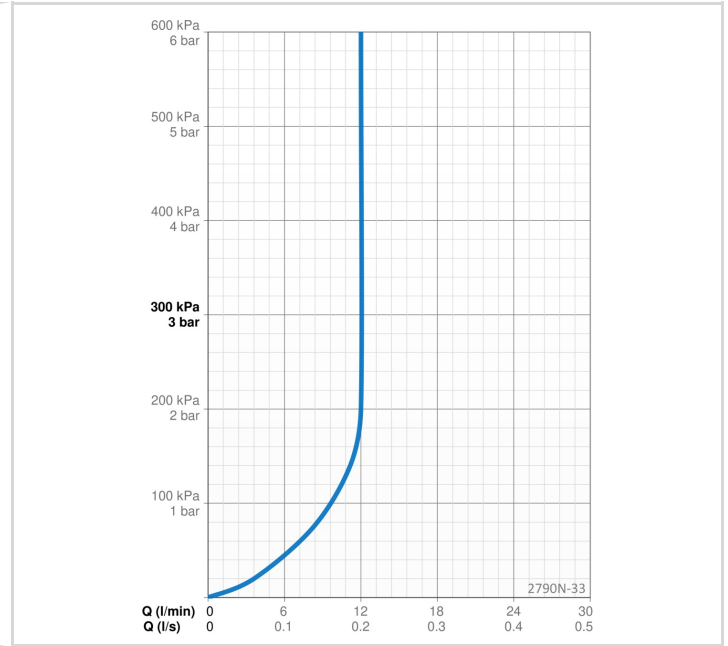
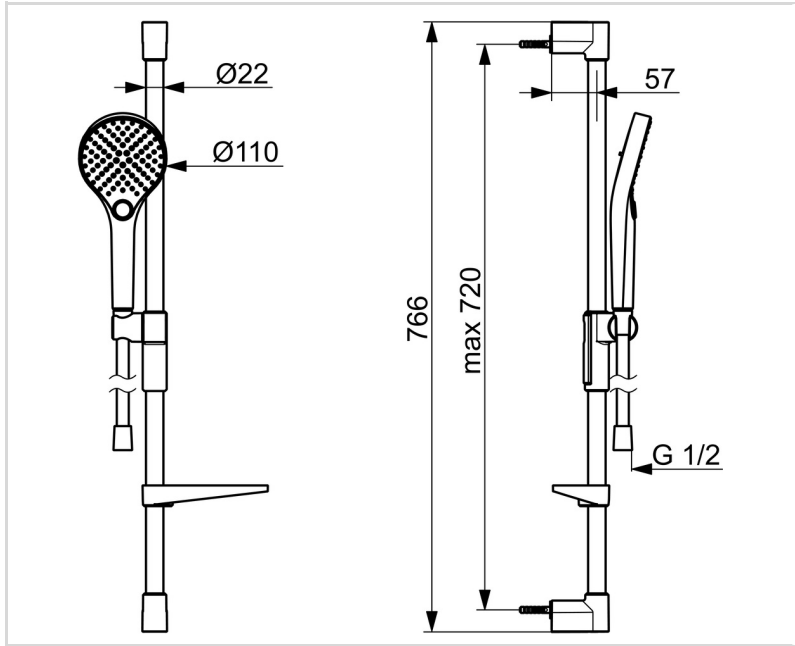
EN standard	<b>EN1112</b>
Noise class 0.2 l/s	<b>I (ISO 3822)</b>

### APPROVALS AND DECLARATIONS

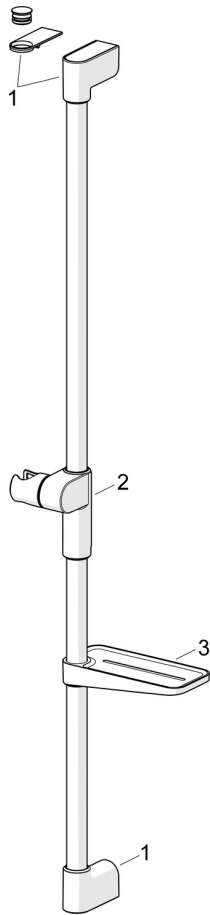
Declaration of conformity	<b>DoC</b>
EPD	<b>S-P-06395</b>

### SUSTAINABILITY

EPD module A1-A3 (kg CO2 eq.)	<b>7,84</b>
EPD module A4 (kg CO2 eq.)	<b>0,32</b>
EPD module B7 (kg CO2 eq.)	<b>2110,00</b>
EPD module C1 (kg CO2 eq.)	<b>0,01</b>
EPD module C2 (kg CO2 eq.)	<b>0,01</b>
EPD module C3 (kg CO2 eq.)	<b>1,51</b>
EPD module C4 (kg CO2 eq.)	<b>0,36</b>
EPD module D (kg CO2 eq.)	<b>-2,71</b>



**SPARE PARTS**



**SP2790N-33**

Name	Code
01 Wall bracket Matt black	1013048V-33
02 Slide for shower rail Matt black	1012974V-33
03 Soap holder Matt black	1013165V-33