

2801 ORAS CUBISTA HIGH WASHBASIN

FAUCET

DISCONTINUED

SINGLE-LEVER

EAN: 6414150058639 static.oras.com/2801

High washbasin faucet with fixed spout, aerator and rapid pop-up waste.



- Deck mounted
- Chrome
- Fixed spout
- Standard aerator
- Single operating lever/handle, Hot/Cold symbols
- Push pop-up waste without draw-rod
- Limitation option for maximum temperature and flow-rate
- \varnothing 40 mm ceramic cartridge for flow and temperature control
- Copper inlet pipes

TECHNICAL DATA

FLOW PROPERTIES

Flow-rate at 300 kPa	0.2 l/s
Pressure loss with flow (0.1 l/s)	75 kPa

TECHNICAL PROPERTIES

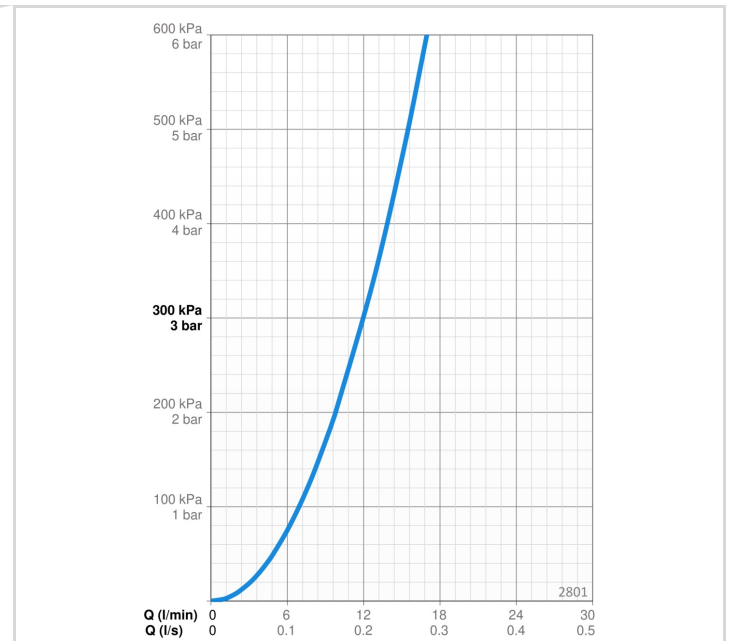
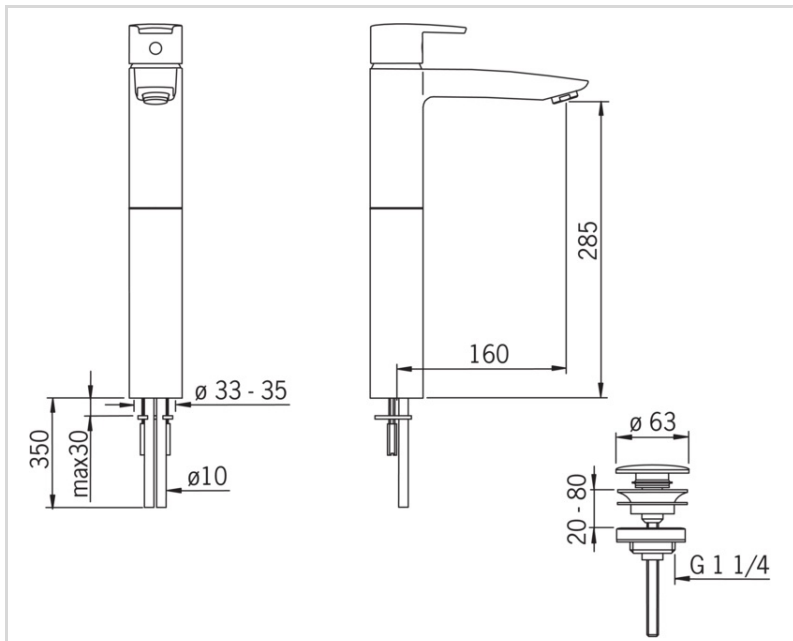
Hot water supply	max. +80°C
Working pressure	50 - 1000 kPa
Connection size	\varnothing 10 mm
Projection	160 mm
Backflow prevention (EN1717)	AA
Material	Brass

REGULATIONS

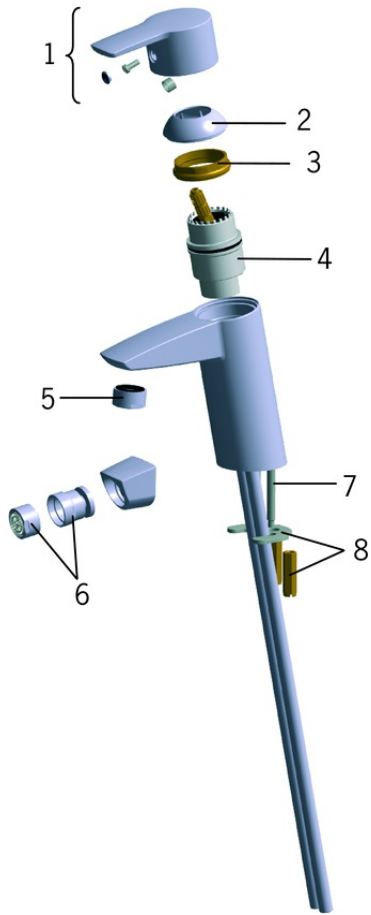
EN standard	EN 817
Noise class	I (ISO 3822)

APPROVALS AND DECLARATIONS

Declaration of conformity	DoC
---------------------------	-----



SPARE PARTS



SP2810

	Name	Code
01	Lever Chrome	159050V
02	Covering cap Chrome	159053V
03	Tightening nut, M42x1.5, SW 38	158726
04	Cartridge	158890
05	Aerator, M24x1 STD HC A Chrome	232211
06	Aerator with ball joint, M24x1/M24x1 Chrome	232511
07	Fixing screw (10 pcs), M6x55	158727/10
08	Fixing plates with nuts	158697