



2824F-102 ORAS CUBISTA ECO WASHBASIN FAUCET, 12 V

DISCONTINUED

TOUCHLESS, EXTERNAL TRANSFORMER

EAN: 6414150069826 static.oras.com/2824F-102



- ECO Building
- Deck mounted
- Chrome
- Temperature control handle
- Adjustable hot water stop (included, retrofittable)
- Mixing valve for manual temperature control, Non-return valve(s), Litter filter(s)
- Autofocus infrared sensor, Solenoid valve
- Flexible inlet pipes

TECHNICAL DATA

FLOW PROPERTIES

Flow-rate at 300 kPa (with flow controller) **0.028 l/s**

TECHNICAL PROPERTIES

Hot water supply **max. +70°C**
Working pressure **100 - 1000 kPa**
Connection size **G3/8**
Backflow prevention (EN1717) **EB**
Material **Brass**

SOFTWARE SETTINGS

Afterflow period **2 s ± 1 s**
Max. flow period **2 min**

ELECTRONIC PROPERTIES

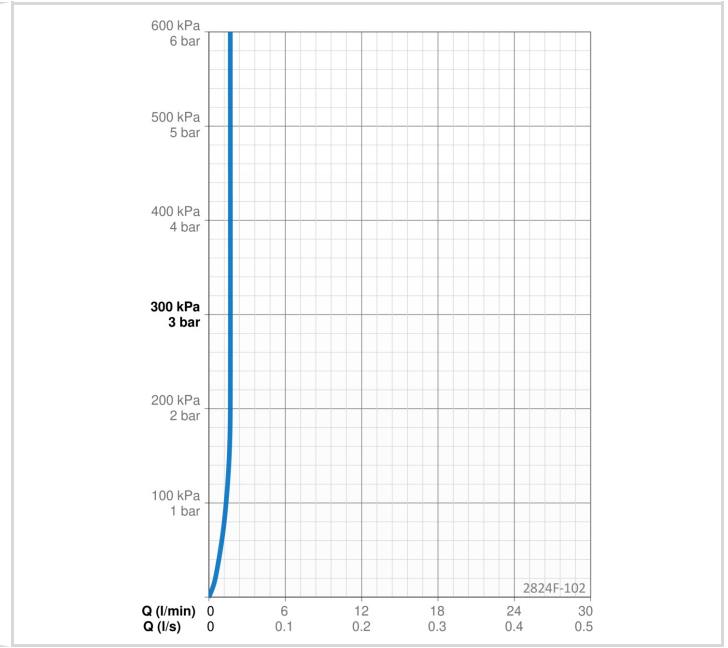
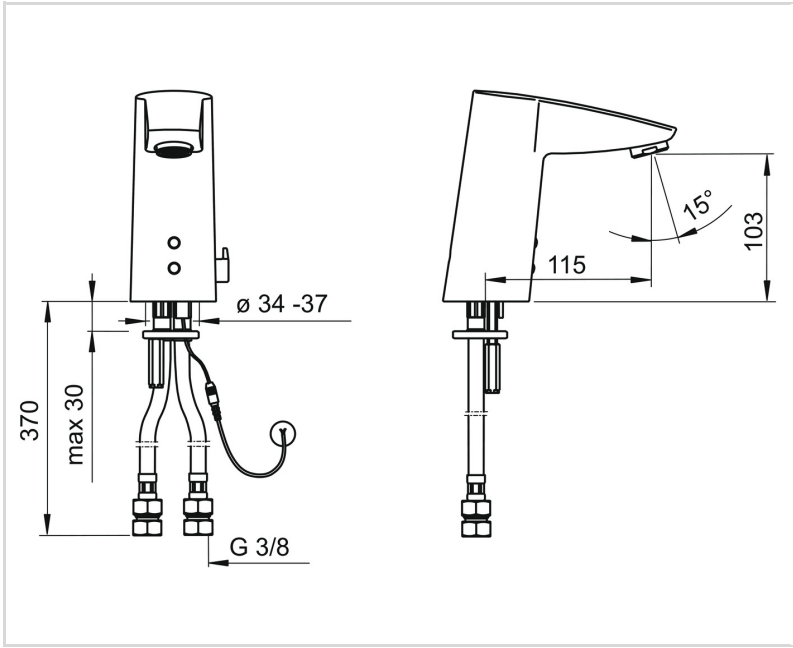
Electrical Connection **12 V**

REGULATIONS

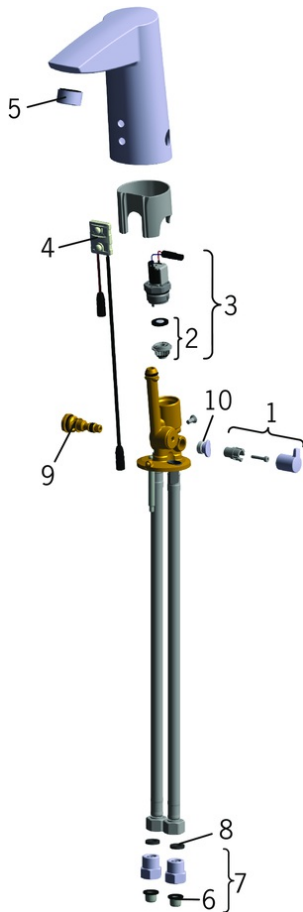
EU Directives **CE Low Voltage Directive 2014/35/EU , EMC Directive 2014/30/EU , RoHS Directive 2011/65/EU**
EN standard **EN 15091, ETSI EN 301 489-1 V1.9.2 , ETSI EN 300 328 v2.2.2 , EN 61000-6-1:2007 , EN 61000-6-3:2007+A1:2011+AC:2012 , EN 60335-1:2012+A11+A13+A1+A14+A2+A15:2021, Part 19.11.4**
Noise class **I (ISO 3822)**
Protection class **IP 55**

APPROVALS AND DECLARATIONS

Declaration of conformity **LVD**



SPARE PARTS



SP2824F-102

Name	Code
01 Temperature control handle Chrome	600493V
02 Membrane support ring Discontinued	199205V
02 Membrane for solenoid valve	1006500V
03 Solenoid valve, 6 V	199206V
04 Sensor, Sensor Discontinued	600839V
05 Aerator, M24x1, -102	601255V
06 Litter filters	199257/2
07 One-way valve with litter screen Chrome	198473/2
08 Gasket, 8x14.3x2	600705/10
09 Temperature regulator	199201V
10 Cover plug Chrome	601141V