



2838FN-33 ORAS OPTIMA KITCHEN FAUCET

SINGLE-LEVER

EAN: 6414150102455 static.oras.com/2838FN-33



The Oras Optima is the perfect fit for any kitchen, with a proven expert quality you can rely on, no matter your specific needs. Durable and long-lasting in both design and service life, this faucet brings you joy and confidence for years to come. Functional considerations and a dedicated level of detail offer a new user experience.

- Deck mounted
- Matt black
- Swivel spout
- Standard aerator
- Single operating lever/handle, Pin shape, Hot/Cold symbols
- Limitation option for maximum temperature and flow-rate
- ø 40 mm ceramic cartridge for flow and temperature control
- Flexible inlet pipes

TECHNICAL DATA

FLOW PROPERTIES

Flow-rate at 300 kPa	0.2 l/s
Pressure loss with flow (0.2 l/s)	300 kPa

TECHNICAL PROPERTIES

Hot water supply	max. +70°C
Working pressure	50 - 1000 kPa
Connection size	G3/8
Projection	225 mm
Material	Brass

REGULATIONS

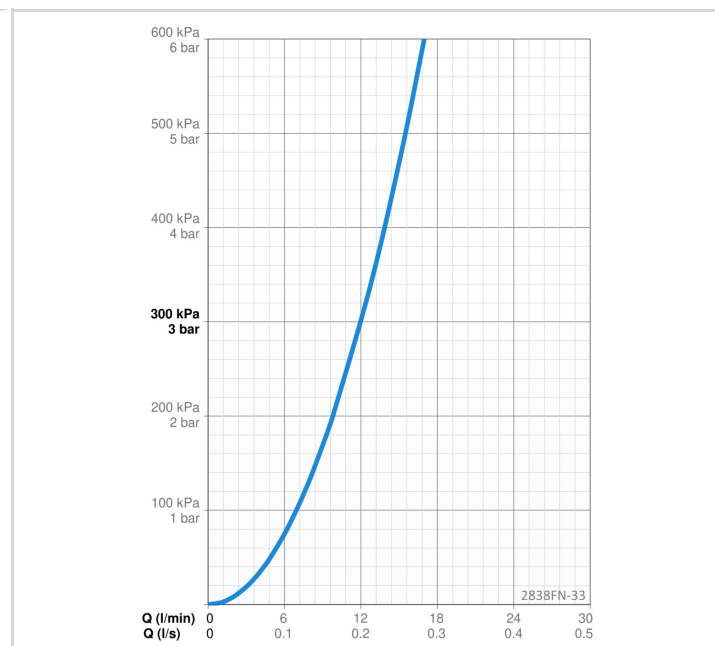
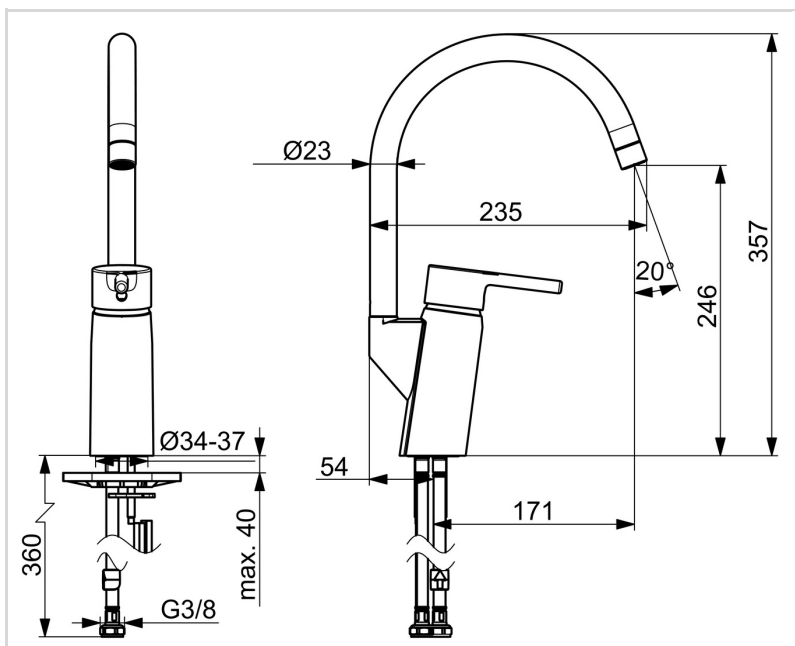
Noise class	I (ISO 3822)
-------------	--------------

APPROVALS AND DECLARATIONS

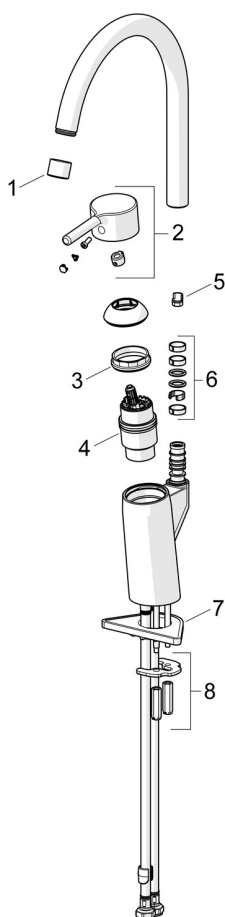
STF certificate	EUFI29-24003510-TH
KIWA SE	1607
Declaration of conformity	DoC
EPD	S-P-06396

SUSTAINABILITY

EPD module A1-A3 (kg CO2 eq.)	13,29
EPD module A4 (kg CO2 eq.)	0,27
EPD module B7 (kg CO2 eq.)	4728,00
EPD module C2 (kg CO2 eq.)	0,02
EPD module C3 (kg CO2 eq.)	0,02
EPD module C4 (kg CO2 eq.)	0,40
EPD module D (kg CO2 eq.)	-7,51



SPARE PARTS



SP2838FN-33

Name	Code
01 Aerator, STD M22x1 CC A Matt black	1001070V-33
02 Lever Matt black	1015157V-33
03 Tightening nut, M42x1.5, SW 38	158726
04 Cartridge	158890
05 Limiter, 120°	602499V
06 Sealing kit for spout	1001098V
07 Supporting plate, 100x60mm	158825
08 Fixing plates with nuts	158697