



2839FN-107-33 ORAS OPTIMA KITCHEN FAUCET WITH DISHWASHER VALVE, 3 V

SINGLE-LEVER, BATTERY-OPERATED, DISHWASHER VALVE, BLUETOOTH®

EAN: 6414150102479 static.oras.com/2839FN-107-33

Upgrade your kitchen with the Oras Optima Kitchen Faucet in stylish matt black. Perfect for ECO Building projects, this deck-mounted faucet features a battery-operated single-lever control and a dishwasher valve for convenience. The swivel spout offers flexibility, and Bluetooth® connectivity adds smart functionality. The pin-shaped handle with hot/cold symbols provides precise temperature control, enhancing water efficiency. Discover a smart, eco-friendly choice for modern kitchens.



- ECO Building
- Deck mounted
- Matt black
- Swivel spout
- PCA® - constant flow rate regardless of pressure variations
- Electronic stop valve for external equipment
- Single operating lever/handle, Pin shape, Hot/Cold symbols
- Limitation option for maximum temperature and flow-rate
- ø 40 mm ceramic cartridge for flow and temperature control
- Flexible inlet pipes

TECHNICAL DATA

FLOW PROPERTIES

Flow-rate at 300 kPa (with flow controller)	0.125 l/s
Pressure loss with flow (0.2 l/s)	300 kPa

TECHNICAL PROPERTIES

Hot water supply	max. +70°C
Working pressure	50 - 1000 kPa
Connection size	G3/8
Backflow prevention (EN1717)	EB
Material	Brass

SOFTWARE SETTINGS

Dishwasher valve open period	4 h / 12 h
------------------------------	------------

ELECTRONIC PROPERTIES

Battery	AA 1.5 V Lithium x 2
Bluetooth version	5.x (D060577)

REGULATIONS

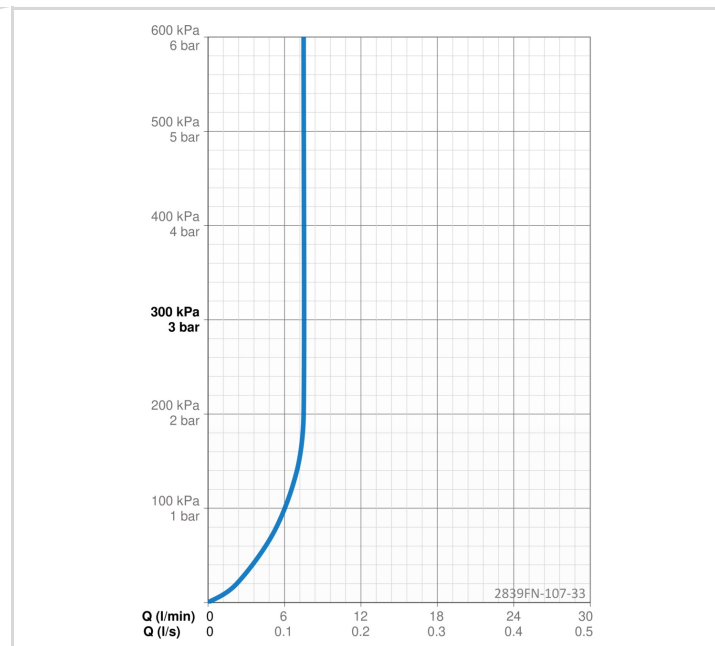
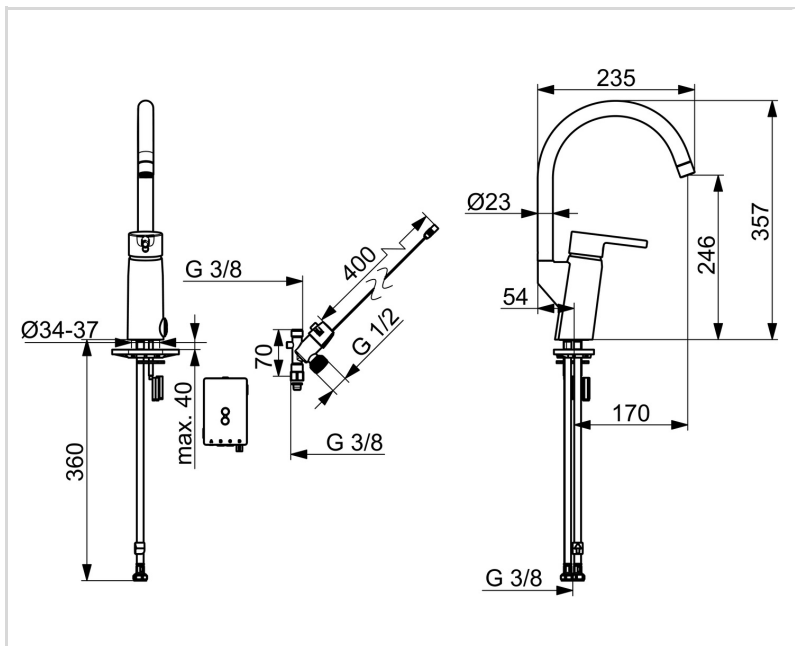
EU Directives	CE Radio Equipment Directive 2014/53/EU , Low Voltage Directive 2014/35/EU , EMC Directive 2014/30/EU , RoHS Directive 2011/65/EU
EN standard	ETSI EN 301 489-1 V1.9.2 , ETSI EN 300 328 v2.2.2, EN 18031-1, EN 61000-6-1:2007 , EN 61000-6-3:2007+A1:2011+AC:2012 , EN 60335-1:2012+A11+A13+A14+A2+A15:2021, Part 19.11.4
Noise class	I (ISO 3822)
Protection class	IP 55

APPROVALS AND DECLARATIONS

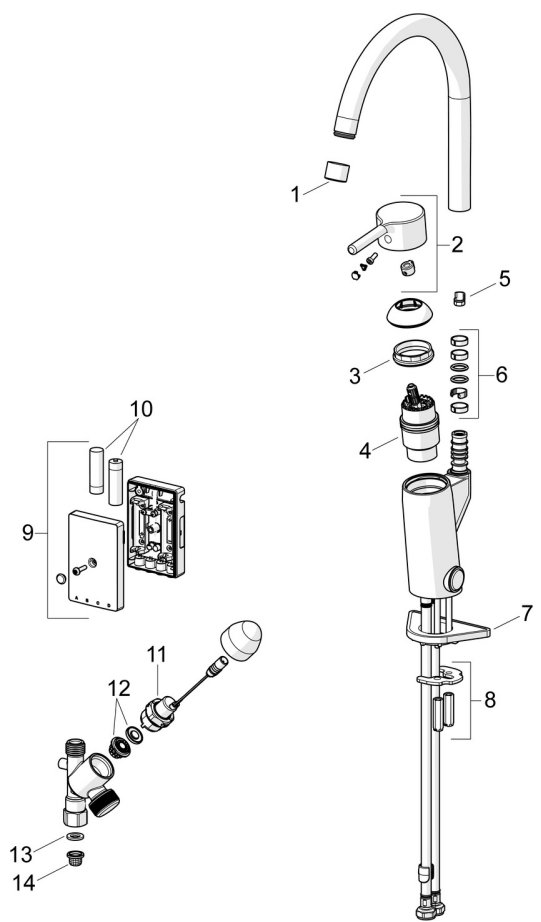
STF certificate	EUF129-24003510-TH
KIWA SE	1607
Declaration of conformity	RED
EPD	S-P-06396

SUSTAINABILITY

EPD module A1-A3 (kg CO2 eq.)	16,20
EPD module A4 (kg CO2 eq.)	0,32
EPD module B7 (kg CO2 eq.)	2955,00
EPD module C2 (kg CO2 eq.)	0,02
EPD module C3 (kg CO2 eq.)	0,03
EPD module C4 (kg CO2 eq.)	0,49
EPD module D (kg CO2 eq.)	-9,16



SPARE PARTS



SP2839FN-GB-33

Name	Code
01 Aerator, STD M22x1 CC A Matt black	1001070V-33
02 Lever Matt black	1015157V-33
03 Tightening nut, M42x1.5, SW 38	158726
04 Cartridge, Green building	600979V
05 Limiter, 120°	602499V
06 Sealing kit for spout	1001098V
07 Supporting plate, 100x60mm	158825
08 Fixing plates with nuts	158697
09 Control unit, 3 V, Bluetooth	1005266V
10 Battery, (2x) 1.5 V AA Lithium	600599V
11 Pilot valve, 3 V	601884V-F
12 Membrane for solenoid valve	1006500V
13 Gasket, 18.5/12x2 EPD	438025/10
14 Litter filters	199257/2