



2839FN ORAS OPTIMA KITCHEN FAUCET WITH DISHWASHER VALVE, 3 V

SINGLE-LEVER, BATTERY-OPERATED, DISHWASHER VALVE, BLUETOOTH®

EAN: 6414150102400 static.oras.com/2839FN

The Oras Optima is the perfect fit for any kitchen, with a proven expert quality you can rely on, no matter your specific needs. Durable and long-lasting in both design and service life, this faucet brings you joy and confidence for years to come. Functional considerations and a dedicated level of detail offer a new user experience.

Oras Optima Kitchen Faucet with Dishwasher Valve. Includes an electronic stop valve for external equipment, making it a smart choice for any kitchen. Swivel spout make cleaning and washing dishes easier and more convenient. The Oras Optima Kitchen Faucet comes with a limitation option for maximum temperature and flow-rate adjustments. The faucet is equipped with a \varnothing 40 mm ceramic cartridge for flow and temperature control. Bluetooth® connectable.



- Deck mounted
- Chrome
- Swivel spout
- Standard aerator
- Electronic stop valve for external equipment
- Single operating lever/handle, Pin shape, Hot/Cold symbols
- Limitation option for maximum temperature and flow-rate
- \varnothing 40 mm ceramic cartridge for flow and temperature control
- Solenoid valve, External control unit
- Flexible inlet pipes

TECHNICAL DATA

FLOW PROPERTIES

Flow-rate at 300 kPa	0.2 l/s
Pressure loss with flow (0.2 l/s)	300 kPa

TECHNICAL PROPERTIES

Hot water supply	max. +70°C
Working pressure	50 - 1000 kPa
Connection size	G3/8
Projection	225 mm
Backflow prevention (EN1717)	EB
Material	Brass

SOFTWARE SETTINGS

Dishwasher valve open period	4 h / 12 h
------------------------------	------------

ELECTRONIC PROPERTIES

Battery	AA 1.5 V Lithium x 2
Bluetooth version	5.x (D060577)

REGULATIONS

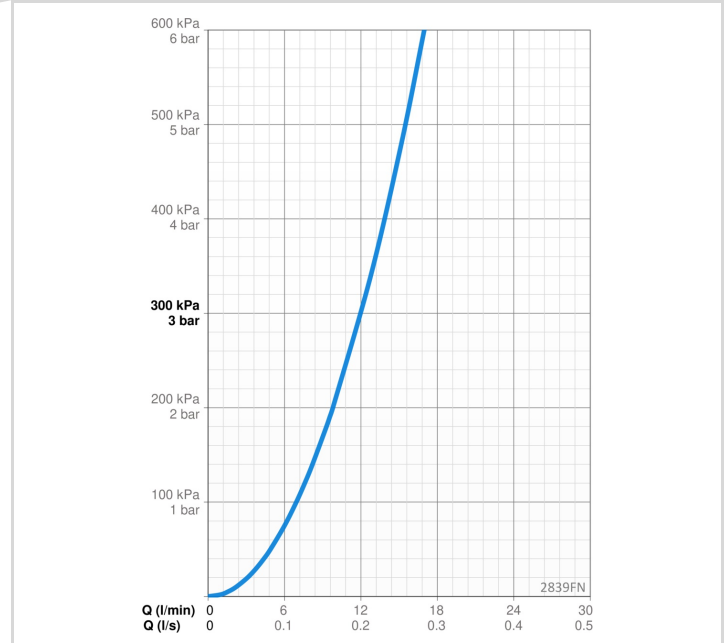
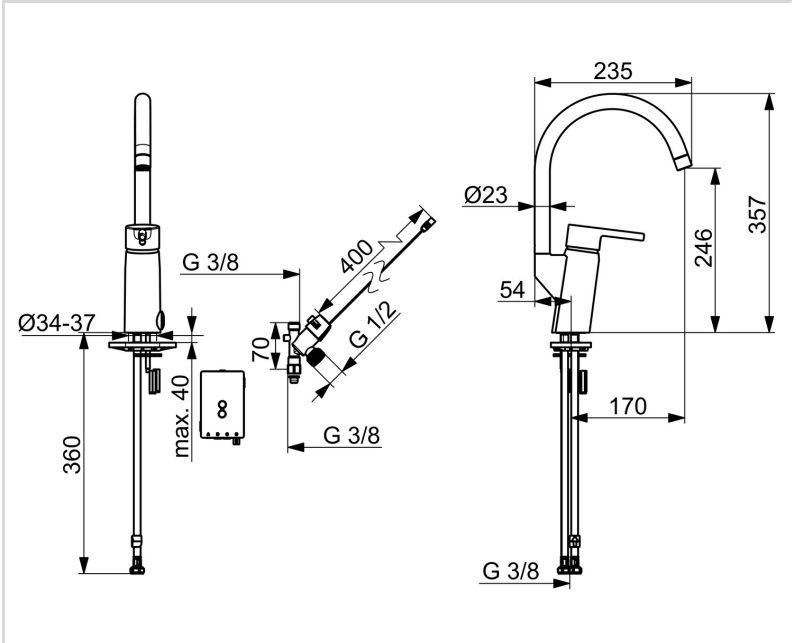
EU Directives	CE Radio Equipment Directive 2014/53/EU , Low Voltage Directive 2014/35/EU , EMC Directive 2014/30/EU , RoHS Directive 2011/65/EU
EN standard	ETSI EN 301 489-1 V1.9.2 , ETSI EN 300 328 v2.2.2, EN 18031-1, EN 61000-6-1:2007 , EN 61000-6-3:2007+A1:2011+AC:2012 , EN 60335-1:2012+A11+A13+A14+A15:2021, Part 19.11.4
Noise class	I (ISO 3822)
Protection class	IP 55

APPROVALS AND DECLARATIONS

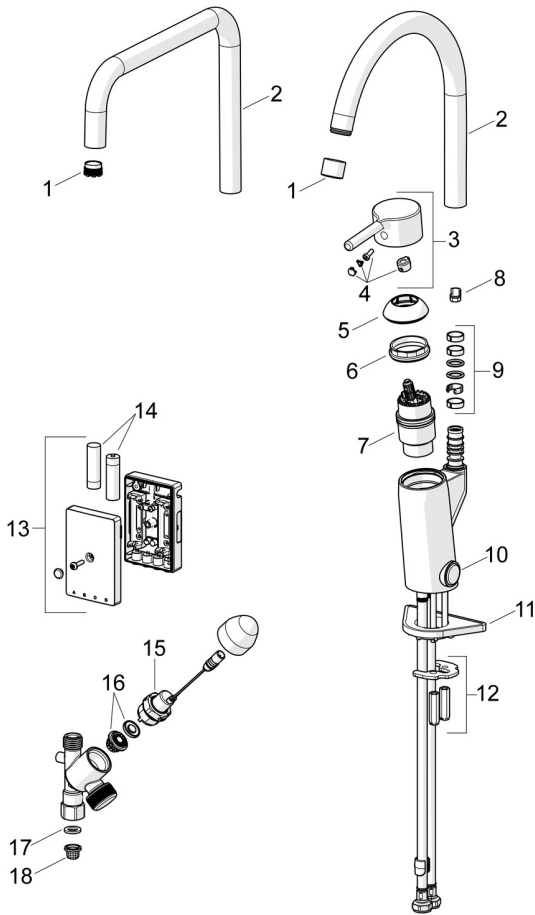
STF certificate	EUF129-24003510-TH
KIWA SE	1607
Declaration of conformity	RED
EPD	S-P-06396

SUSTAINABILITY

EPD module A1-A3 (kg CO2 eq.)	16,22
EPD module A4 (kg CO2 eq.)	0,32
EPD module B7 (kg CO2 eq.)	4728,00
EPD module C2 (kg CO2 eq.)	0,02
EPD module C3 (kg CO2 eq.)	0,03
EPD module C4 (kg CO2 eq.)	0,49
EPD module D (kg CO2 eq.)	-9,17



SPARE PARTS



SP2839FN

	Name	Code
01	Aerator and key, M18.5x1 Chrome	859338V
01	Aerator, M22x1 STD CC A Chrome	1001070V
02	Spout	601304V
02	High spout, L=208 Chrome	1001058V
03	Lever Chrome	1015157V
04	Symbol plug	1002323V
05	Covering cap Chrome	159053V
06	Tightening nut, M42x1.5, SW 38	158726
07	Cartridge	158890
08	Limiter, 120°	602499V
09	Sealing kit for spout	1001098V
10	Push button, 3 V Chrome	1004296V
11	Supporting plate, 100x60mm	158825
12	Fixing plates with nuts	158697
13	Control unit, 3 V, Bluetooth	1005266V
14	Battery, (2x) 1.5 V AA Lithium	600599V
15	Pilot valve, 3 V	601884V-F
16	Membrane for solenoid valve	1006500V
17	Gasket, 18.5/12x2 EPD	438025/10
18	Litter filters	199257/2