



Thermostatic shower faucet

Including eccentric unions and cover plates.

- Wall mounted
- Chrome
- Temperature control handle, Flow control handle, Safety feature for water temperature
- Safety stop against scalding at 38°C
- Thermostatic cartridge for automatic temperature control, Litter filter(s), Ceramic head part for flow control
- Eccentric coupling(s), Cover plate(s), Silencer(s)

TECHNICAL DATA

FLOW PROPERTIES

Flow-rate at 300 kPa	0.27 l/s
Pressure loss with flow (0.2 l/s)	165 kPa

TECHNICAL PROPERTIES

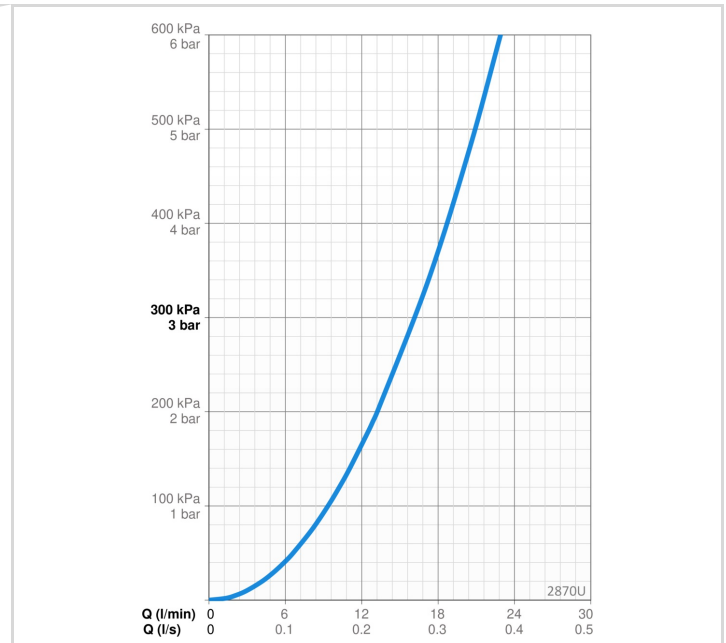
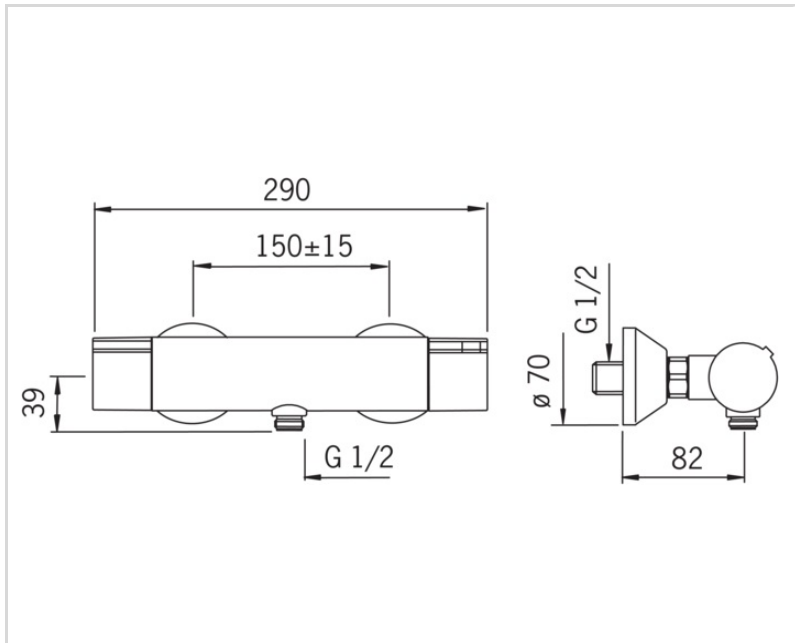
Hot water supply	max. +80°C
Working pressure	100 - 1000 kPa
Connection size	G1/2
Installation width	150 ± 15 mm
Material	Brass

REGULATIONS

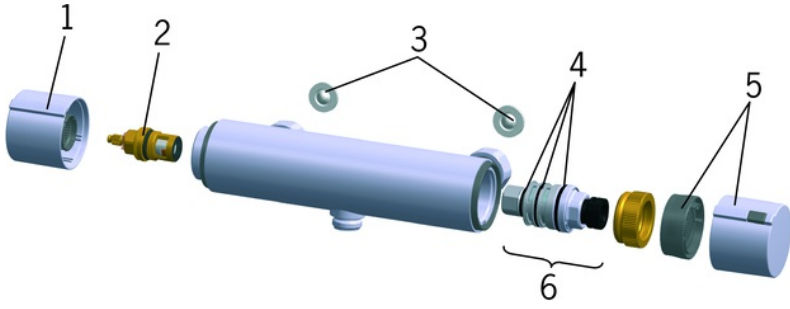
EN standard	EN 1111
Noise class	I (ISO 3822)

APPROVALS AND DECLARATIONS

Declaration of conformity	DoC
---------------------------	------------



SPARE PARTS



SP2870

	Name	Code
01	Flow control handle	159045V
02	Headpart Chrome	109898
03	Filter sealing, G3/4, DN20	178375V
04	O-ring kit	178796V
05	Temperature control handle	159048V
06	Thermostatic cartridge	178780V