



# 290003 ORAS GROUP SPOUT, L=150

EAN: 6414150100680 [static.oras.com/290003](http://static.oras.com/290003)

Designed for all Clinica wall mounted faucets with easy click connection

- Health & Care, Accessories
- Swivel spout, Casted construction
- Chrome

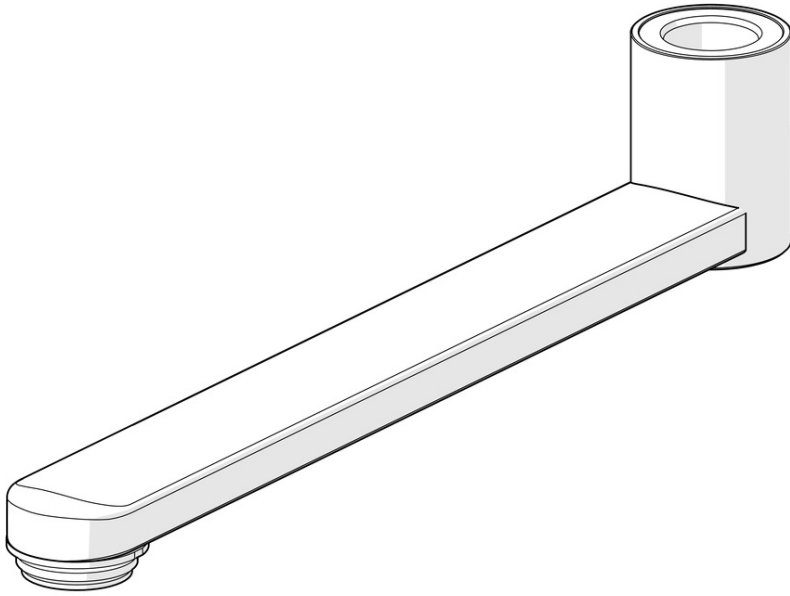


## TECHNICAL DATA

### TECHNICAL PROPERTIES

Projection	150 mm
Material	Brass

## SPARE PARTS



### SP290016

	Name	Code
01	Aerator, M22x1 STD PL HC A Laminar Chrome	1003610V

