



- Deck mounted
- Chrome
- Standard aerator
- Single operating lever/handle, Hot/Cold symbols
- Limitation option for maximum temperature and flow-rate
- ø 35 mm ceramic cartridge for flow and temperature control
- Flexible inlet pipes
- Rapid installation system

TECHNICAL DATA

FLOW PROPERTIES

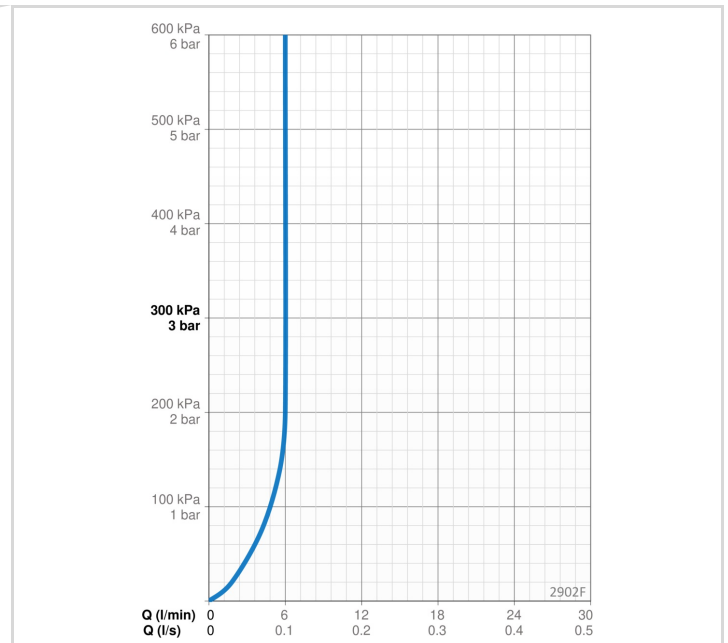
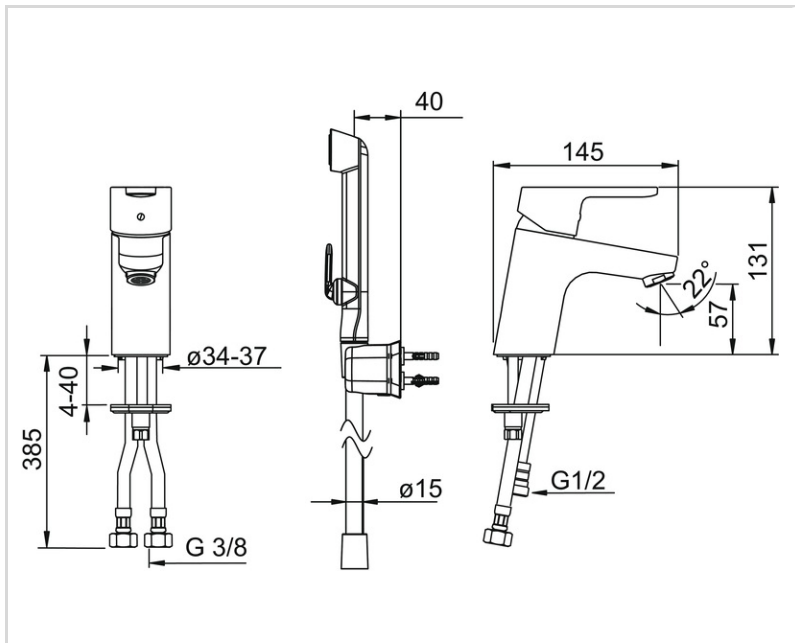
Flow-rate at 300 kPa (with flow controller) **0.1 l/s**

TECHNICAL PROPERTIES

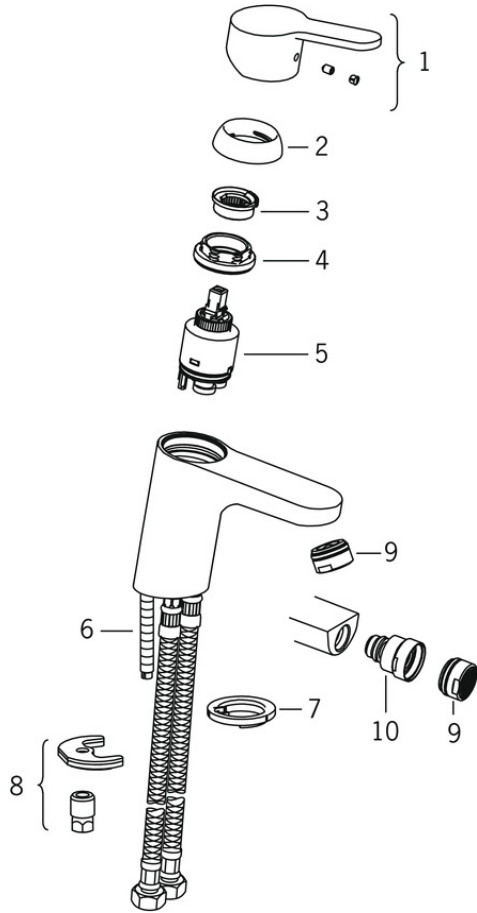
Hot water supply	max. +70°C
Working pressure	100 - 1000 kPa
Connection size	G3/8
Projection	107 mm
Material	Brass

REGULATIONS

EN standard **EN 817**



SPARE PARTS



SP2900F

	Name	Code
01	Lever Chrome Discontinued	601966V
02	Covering cap Chrome	601967V
03	Temperature adjustment limiter Discontinued	601973V
04	Tightening nut, M40x1, SW30	1003409V
05	Cartridge, 3.5 Classic	601969V
06	Fixing screw, M8x1, L=140	601970V
07	Bottom seal	1002371V
08	Fixing set Discontinued	601972V
09	Aerator, M24x1, 6 l/min Chrome	601974V
10	Ball joint for bidet faucet Discontinued	601976V