



Washbasin faucet with fixed spout and an aerator. There are also in-built limitation options for water temperature and maximum flow-rate. F = with flexible pipes

- Deck mounted
- Chrome
- Fixed spout
- Standard aerator
- Single operating lever/handle, Hot/Cold symbols
- Limitation option for maximum temperature and flow-rate
- ø 35 mm ceramic cartridge for flow and temperature control
- Flexible inlet pipes
- Rapid installation system

## TECHNICAL DATA

### FLOW PROPERTIES

Flow-rate at 300 kPa (with flow controller) **0.1 l/s**

### TECHNICAL PROPERTIES

Hot water supply **max. +70°C**  
 Working pressure **100 - 1000 kPa**  
 Connection size **G3/8**  
 Projection **107 mm**  
 Material **Brass**

### REGULATIONS

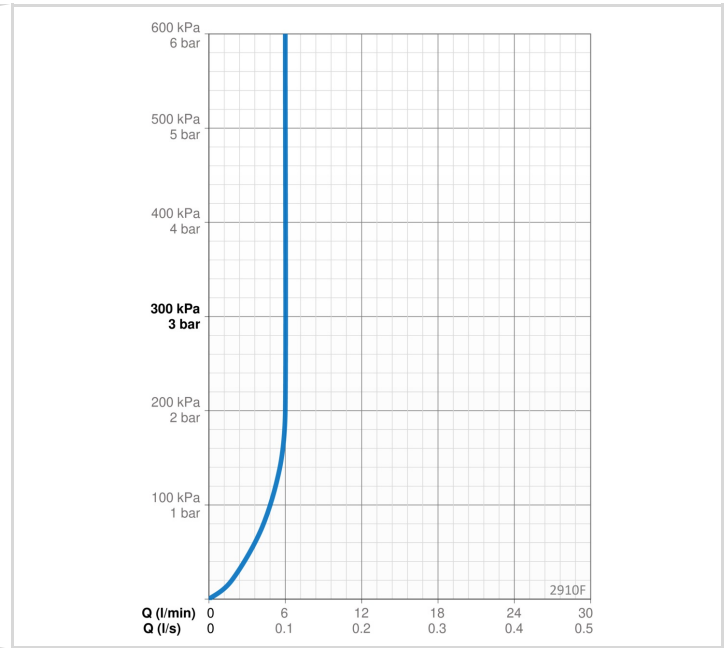
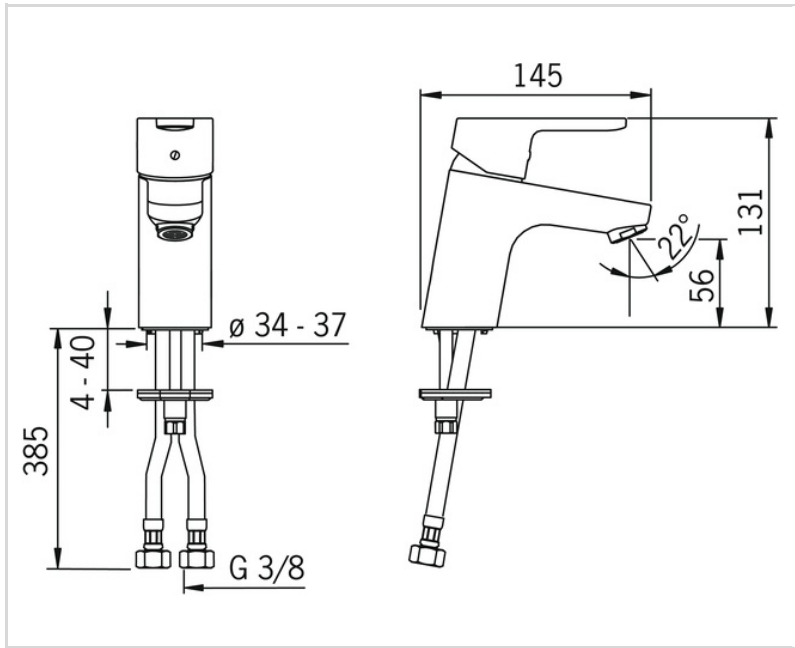
EN standard **EN 817**  
 Noise class **I (ISO3822)**

### APPROVALS AND DECLARATIONS

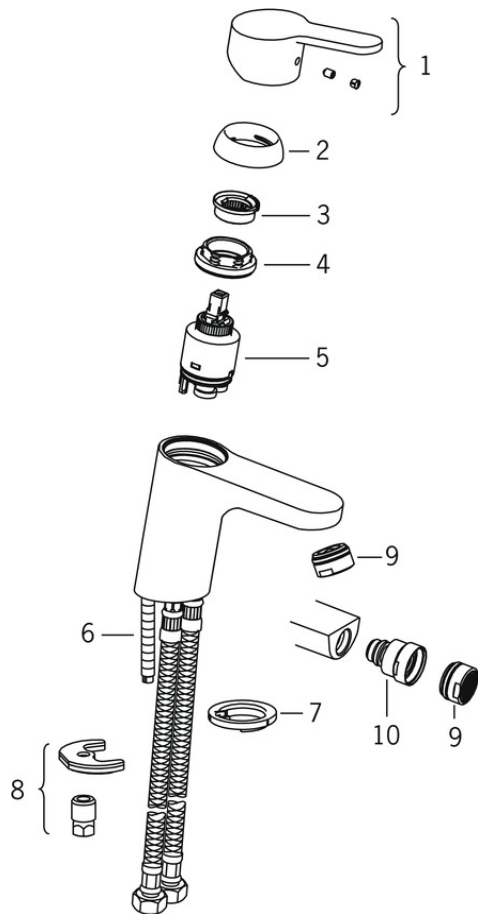
Declaration of conformity **DoC**  
 EPD **S-P-06391**

### SUSTAINABILITY

EPD module A1-A3 (kg CO2 eq.) **6,77**  
 EPD module A4 (kg CO2 eq.) **0,19**  
 EPD module B7 (kg CO2 eq.) **1854,00**  
 EPD module C2 (kg CO2 eq.) **0,01**  
 EPD module C3 (kg CO2 eq.) **0,01**  
 EPD module C4 (kg CO2 eq.) **0,05**  
 EPD module D (kg CO2 eq.) **-4,81**



**SPARE PARTS**



**SP2900F**

Name	Code
01 Lever Chrome Discontinued	601966V
02 Covering cap Chrome	601967V
03 Temperature adjustment limiter Discontinued	601973V
04 Tightening nut, M40x1, SW30	1003409V
05 Cartridge, 3.5 Classic	601969V
06 Fixing screw, M8x1, L=140	601970V
07 Bottom seal	1002371V
08 Fixing set Discontinued	601972V
09 Aerator, M24x1, 6 l/min Chrome	601974V
10 Ball joint for bidet faucet Discontinued	601976V