



Washbasin faucet with fixed spout and aerator. There are also in-built limitation options for water temperature and maximum flow-rate.

F = with flexible pipes

- Deck mounted
- Chrome
- Fixed spout
- PCA® - constant flow rate regardless of pressure variations, Hidden aerator
- Single operating lever/handle, Hot/Cold symbols
- Limitation option for maximum temperature and flow-rate
- ø 40 mm ceramic cartridge for flow and temperature control
- Flexible inlet pipes
- Inner body made of DZR brass, 3S-installation system for safe and simple mounting

## TECHNICAL DATA

### FLOW PROPERTIES

Flow-rate at 300 kPa (with flow controller)	0.1 l/s
Pressure loss with flow (0.1 l/s)	100 kPa

### TECHNICAL PROPERTIES

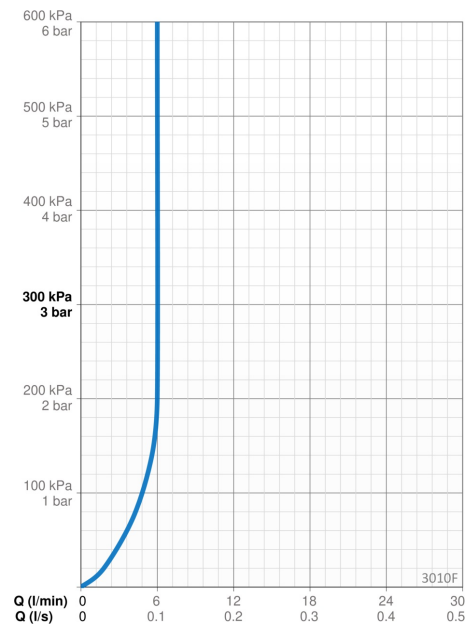
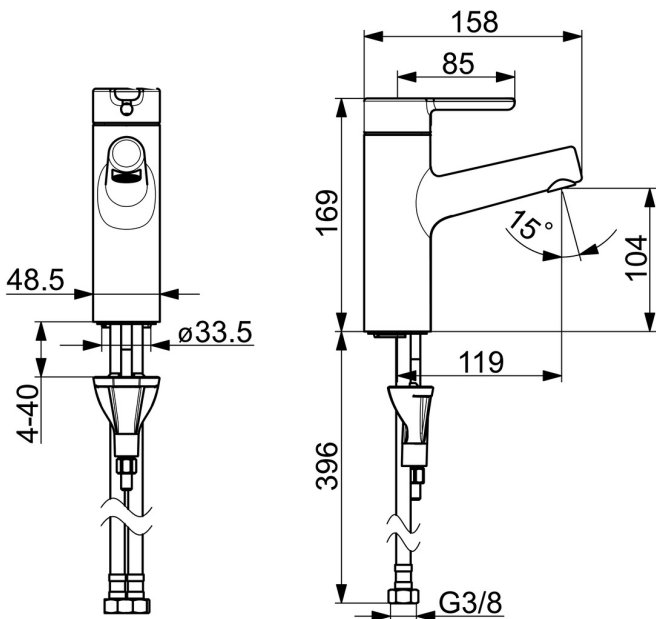
Hot water supply	max. +70°C
Working pressure	50 - 1000 kPa
Connection size	G3/8
Projection	119 mm
Backflow prevention (EN1717)	AA
Material	Brass

### REGULATIONS

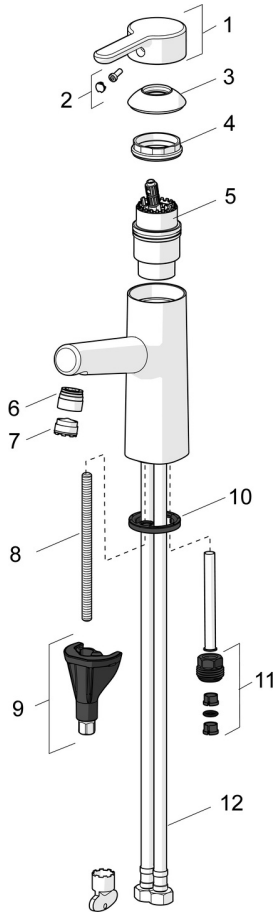
EN standard	EN 817
Noise class	I (ISO 3822)

### APPROVALS AND DECLARATIONS

STF certificate	EUFI29-19004498-TH1
Declaration of conformity	DoC



**SPARE PARTS**



**SP3000F**

	<b>Name</b>	<b>Code</b>
01	Lever Chrome Discontinued	1003074V
02	Symbol plug	1002323V
03	Covering cap Chrome	1001740V
04	Tightening nut, M42x1.5, SW 38	158726
05	Cartridge	158890
06	Fitting ring for aerator Chrome	1001722V
07	Aerator, M18.5x1, TJ	602671V
08	Fixing screw, M8x1, L=130	1000780V
09	Fixing set	602610V
10	Bottom seal	1002371V
11	Nipple	159684
12	Flexible pipe, L=475, G3/8-M10x1 LH	1001515V