



3017F ORAS INSPERA HIGH WASHBASIN FAUCET, 6 V, BLUETOOTH DISCONTINUED

TOUCHLESS, BATTERY-OPERATED, BLUETOOTH®

EAN: 6414150082511 static.oras.com/3017F

Touchless washbasin faucet with a temperature adjustment handle. Battery-operated 6 V. The faucet is equipped with litter filters, non-return valves and Autofocus sensor which enables installation without adjustments. Bluetooth connection enables easy monitoring and adjustments of the faucet. The impulse-controlled solenoid valve gives the battery a long operating life. Flow rate 6 l/min.

F = with flexible pipes



- Deck mounted
- Chrome
- Fixed spout
- Temperature control handle
- Adjustable hot water stop (included, retrofittable)
- Mixing valve for manual temperature control, Non-return valve(s), Litter filter(s)
- Autofocus infrared sensor, Solenoid valve
- Flexible inlet pipes
- Inner body made of DZR brass, 3S-installation system for safe and simple mounting, Software settings adjustable via App

TECHNICAL DATA

FLOW PROPERTIES

Flow-rate at 300 kPa (with flow controller)	0.1 l/s
Pressure loss with flow (0.1 l/s)	200 kPa

TECHNICAL PROPERTIES

Hot water supply	max. +70°C
Working pressure	100 - 1000 kPa
Connection size	G3/8
Projection	164 mm
Backflow prevention (EN1717)	AA
Material	Brass

SOFTWARE SETTINGS

Afterflow period	3 s (1-20 s)
Automatic flush	off (off/1-120 h)
Automatic flush period	30 s (1-1800 s)
Max. flow period	2 min (1 - 1800 s)

ELECTRONIC PROPERTIES

Battery	Lithium 2CR5 6 V
Bluetooth version	4.x (D034445)

REGULATIONS

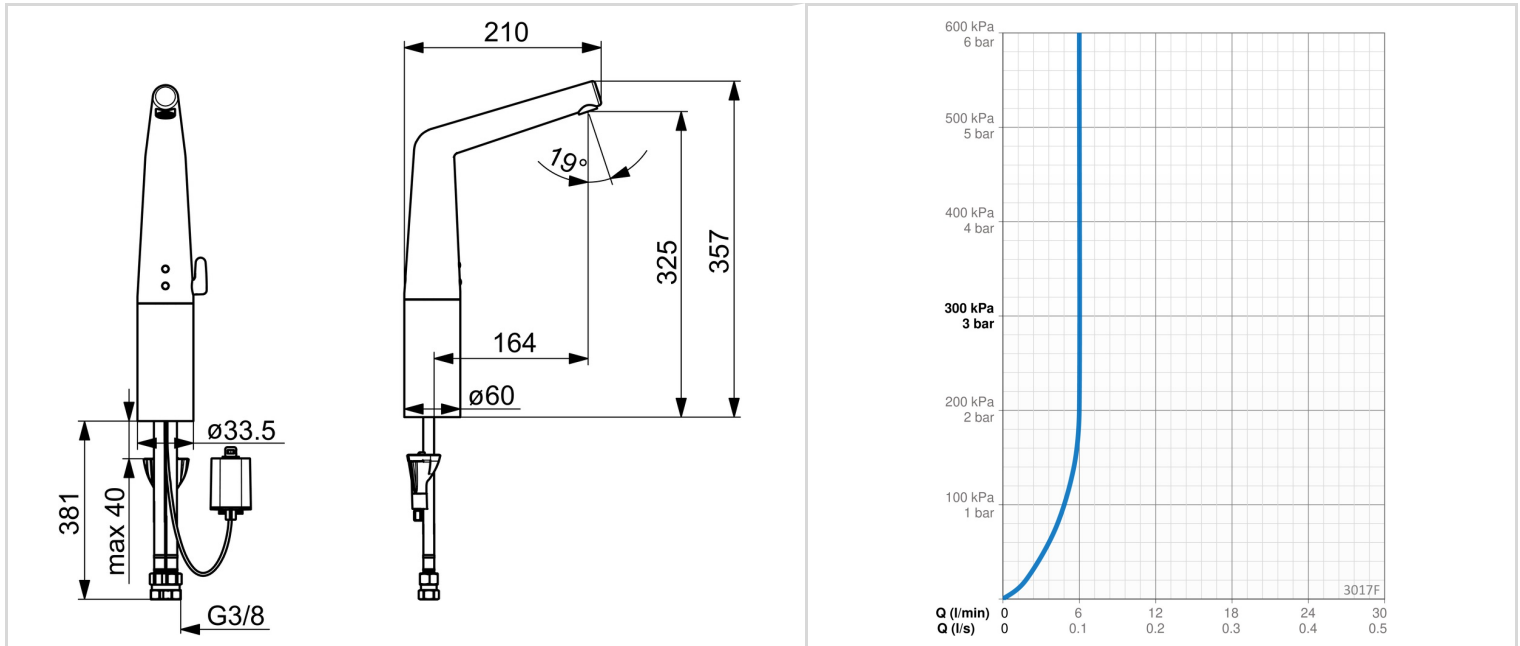
EU Directives	CE Radio Equipment Directive 2014/53/EU , Low Voltage Directive 2014/35/EU , EMC Directive 2014/30/EU , RoHS Directive 2011/65/EU
EN standard	EN 15091, ETSI EN 301 489-1 V1.9.2 , ETSI EN 300 328 v2.2.2 , EN 61000-6-1:2007 , EN 61000-6-3:2007+A1:2011+AC:2012 , EN 60335-1:2012+A11+A13+A1+A14+A2+A15:2021, Part 19.11.4
Noise class	I (ISO 3822) Oras lab.
Protection class	IP 55

APPROVALS AND DECLARATIONS

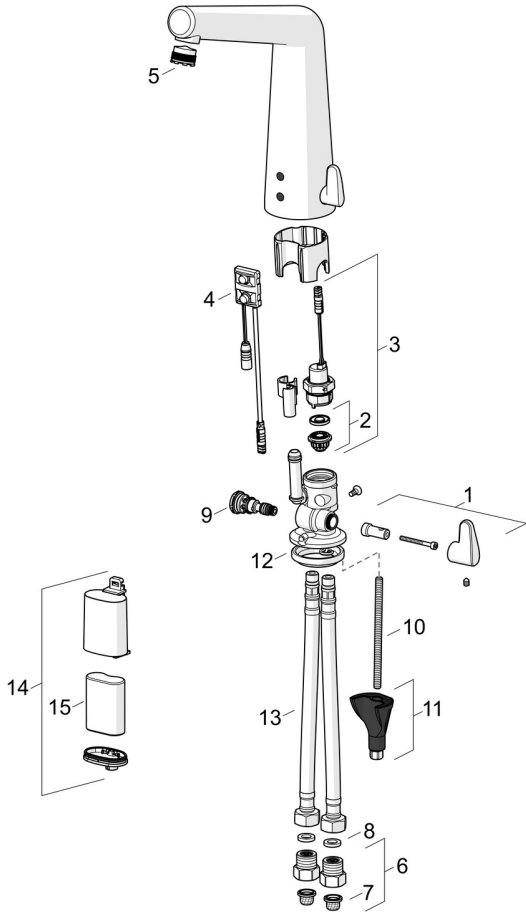
STF certificate	EUFI29-19004498-TH2
KIWA SE	1606
UN38.3	UN38-3 Maxell 2CR5
Declaration of conformity	RED
EPD	S-P-06394

SUSTAINABILITY

EPD module A1-A3 (kg CO2 eq.)	16,81
EPD module A4 (kg CO2 eq.)	0,67
EPD module B7 (kg CO2 eq.)	430,00
EPD module C2 (kg CO2 eq.)	0,03
EPD module C3 (kg CO2 eq.)	0,03
EPD module C4 (kg CO2 eq.)	0,45
EPD module D (kg CO2 eq.)	-12,17



SPARE PARTS



SP3017F

	Name	Code
01	Temperature control handle Chrome	1002424V
02	Membrane support ring Discontinued	199205V
02	Membrane for solenoid valve	1006500V
03	Solenoid valve, 6 V	199206V
04	Sensor, 6/9/12 V, Bluetooth	1001424V
05	Aerator and key, M18.5x1	601901V
06	One-way valve with litter screen Chrome	198473/2
07	Litter filters	199257/2
08	Gasket, 8x14.3x2	600705/10
09	Temperature regulator	199201V
10	Fixing screw, M8x1, L=250	1002624V
11	Fixing set	602610V
12	Bottom seal	1002371V
13	Flexible pipe, L=500, G3/8-M10x1	602328/2
14	Battery casing	199438V
15	Lithium battery, 2CR5 6 V	198330
N.I.	Limiter	601061V