



3017FT ORAS INSPERA HIGH WASHBASIN FAUCET, 230/9 V, BLUETOOTH

DISCONTINUED

TOUCHLESS, PLUG TRANSFORMER, BLUETOOTH®

EAN: 6414150082528 static.oras.com/3017FT

Touchless washbasin faucet with a temperature adjustment handle. The faucet is equipped with litter filters, non-return valves and Autofocus sensor which enables installation without adjustments. Bluetooth connection enables easy monitoring and adjustments of the faucet. Flow rate 6 l/min. Electrical connection with a plug transformer 230/9 V. Alternative: concealed power supply 199275 (12 V). A maximum five of these items can be connected to the power supply at a time.

F = with flexible pipes



- Deck mounted
- Chrome
- Fixed spout
- Temperature control handle
- Adjustable hot water stop (included, retrofittable)
- Mixing valve for manual temperature control, Non-return valve(s), Litter filter(s)
- Autofocus infrared sensor, Solenoid valve, Power supply
- Flexible inlet pipes
- Inner body made of DZR brass, 3S-installation system for safe and simple mounting, Software settings adjustable via App

TECHNICAL DATA

FLOW PROPERTIES

Flow-rate at 300 kPa (with flow controller)	0.1 l/s
Pressure loss with flow (0.1 l/s)	200 kPa

TECHNICAL PROPERTIES

Hot water supply	max. +70°C
Working pressure	100 - 1000 kPa
Connection size	G3/8
Projection	164 mm
Backflow prevention (EN1717)	AA
Material	Brass

SOFTWARE SETTINGS

Afterflow period	3 s (1-20 s)
Automatic flush	off (off/1-120 h)
Automatic flush period	30 s (1-1800 s)
Max. flow period	2 min (1 - 1800 s)

ELECTRONIC PROPERTIES

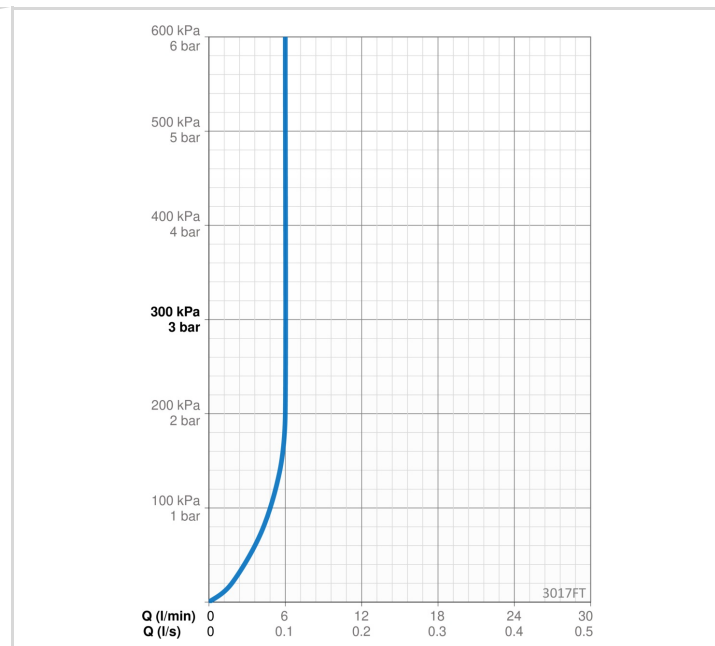
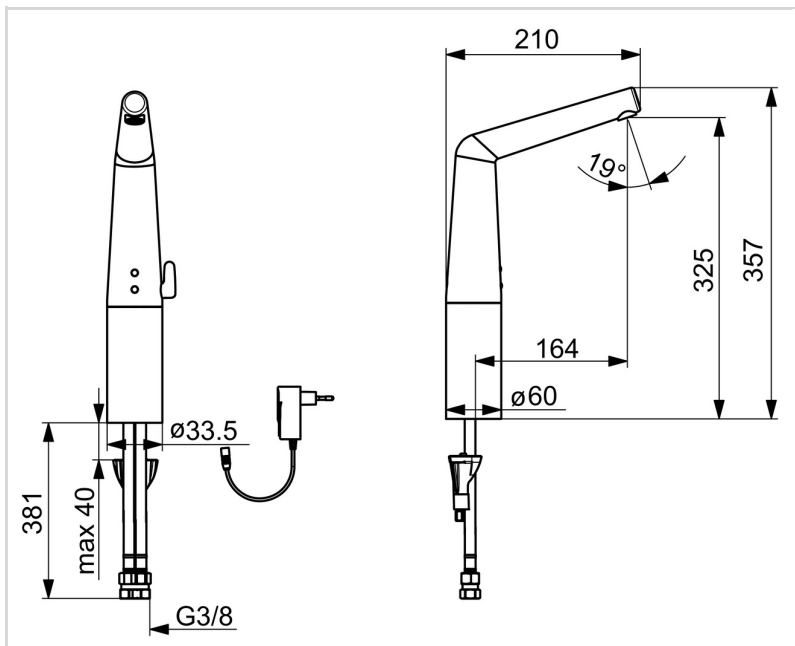
Electrical Connection	230 / 9 V
Bluetooth version	4.x (D034445)

REGULATIONS

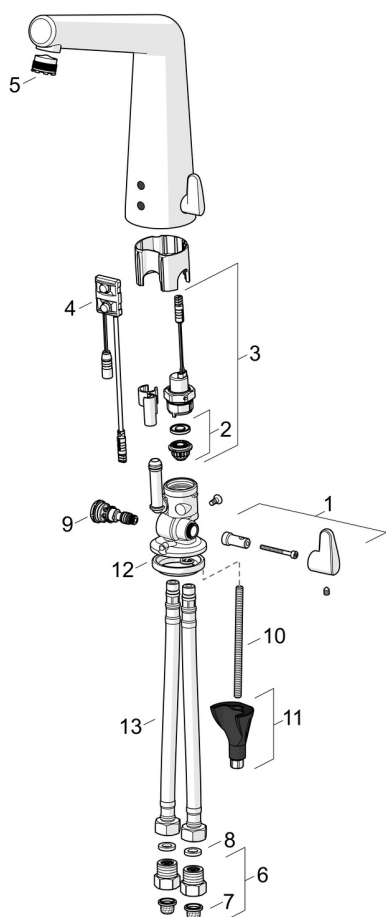
EU Directives	CE Radio Equipment Directive 2014/53/EU , Low Voltage Directive 2014/35/EU , EMC Directive 2014/30/EU , RoHS Directive 2011/65/EU
EN standard	EN 15091, ETSI EN 301 489-1 V1.9.2 , ETSI EN 300 328 v2.2.2 , EN 61000-6-1:2007 , EN 61000-6-3:2007+A1:2011+AC:2012 , EN 60335-1:2012+A11+A13+A14+A14+A2+A15:2021, Part 19.11.4
Noise class	I (ISO 3822) Oras lab.
Protection class	IP 55 / transformer IP 20

APPROVALS AND DECLARATIONS

STF certificate	EUF129-19004498-TH2
Declaration of conformity	RED



SPARE PARTS



SP3017FT

Name	Code
01 Temperature control handle Chrome	1002424V
02 Membrane support ring Discontinued	199205V
02 Membrane for solenoid valve	1006500V
03 Solenoid valve, 6 V	199206V
04 Sensor, 6/9/12 V, Bluetooth	1001424V
05 Aerator and key, M18.5x1	601901V
06 One-way valve with litter screen Chrome	198473/2
07 Litter filters	199257/2
08 Gasket, 8x14.3x2	600705/10
09 Temperature regulator	199201V
10 Fixing screw, M8x1, L=250	1002624V
11 Fixing set	602610V
12 Bottom seal	1002371V
13 Flexible pipe, L=500, G3/8-M10x1	602328/2
N.I. Limiter	601061V