



3031F-80 ORAS INSPERA COMFORT+ KITCHEN FAUCET WITH DISHWASHER VALVE, 3 V

SINGLE-LEVER, SIDE OPERATED, BATTERY-OPERATED, DISHWASHER VALVE, BLUETOOTH®

EAN: 6414150103087 static.oras.com/3031F-80

Kitchen faucet with smart dishwasher valve and with pull-out spout. Swivel spout with pull-out spout/spray and aerator. Spout's pull-out length can be fixed. Spout's swing angle is factory preset at 150° (can be limited to 60° / 0°). Dishwasher valve closes automatically after 4 or 12 hours (one push opens the valve for 4 hours, pushing for 5 seconds opens the valve for 12 hours). Battery operated, 3 V. There are also in-built limitation options for water temperature and maximum flow-rate.

F = with flexible pipes



- Deck mounted
- Brushed steel
- Swivel spout, Pull-out model, Swivel range limiting option
- Electronic stop valve for external equipment
- Single operating lever/handle, Hot/Cold symbols
- Limitation option for maximum temperature and flow-rate
- ø 40 mm ceramic cartridge for flow and temperature control, Litter filter(s)
- Solenoid valve, External control unit, Light indicated function(s), Low battery indicator
- Flexible inlet pipes
- Soft- and Needle-Spray
- 2 spray functions

TECHNICAL DATA

FLOW PROPERTIES

Flow-rate at 300 kPa	0.16 l/s
Pressure loss with flow (0.2 l/s)	490 kPa (70% qv = 240 kPa)

TECHNICAL PROPERTIES

Hot water supply	max. +70°C
Working pressure	50 - 1000 kPa
Connection size	G3/8
Projection	231 mm
Material	Brass

SOFTWARE SETTINGS

Dishwasher valve open period	4 h / 12 h
------------------------------	------------

ELECTRONIC PROPERTIES

Battery	AA 1.5 V Lithium x 2
Bluetooth version	5.x (D060577)

REGULATIONS

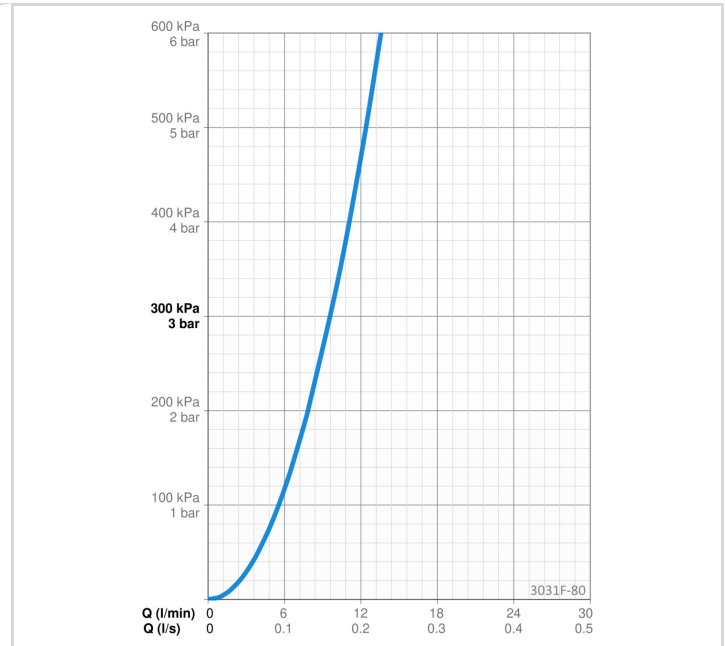
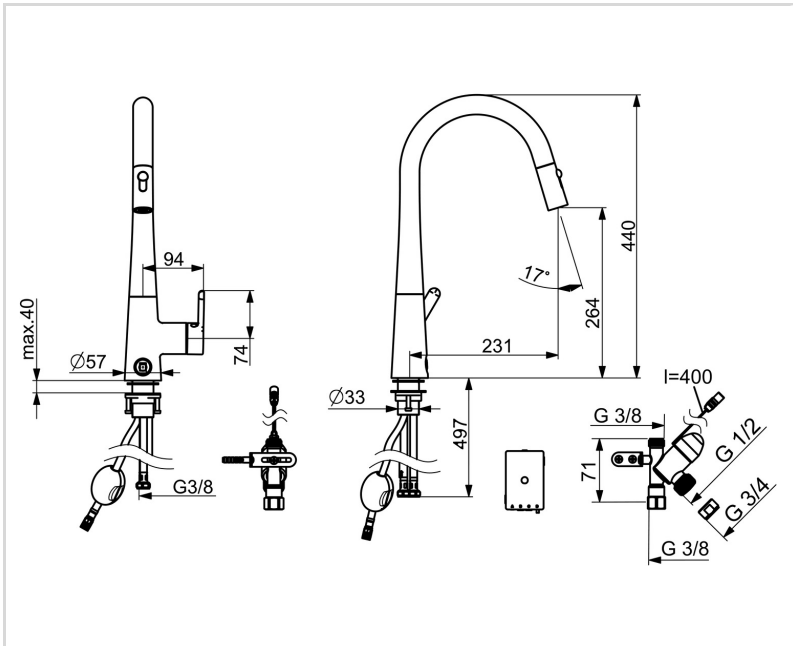
EU Directives	CE Radio Equipment Directive 2014/53/EU , Low Voltage Directive 2014/35/EU , EMC Directive 2014/30/EU , RoHS Directive 2011/65/EU
EN standard	EN 817, EN 15091, ETSI EN 301 489-1 V1.9.2 , ETSI EN 300 328 v2.2.2, EN 18031-1, EN 61000-6-1:2007 , EN 61000-6-3:2007+A1:2011+AC:2012 , EN 60335-1:2012+A11+A13+A14+A15:2021, Part 19.11.4
Noise class	I (ISO 3822)
Protection class	IP 55

APPROVALS AND DECLARATIONS

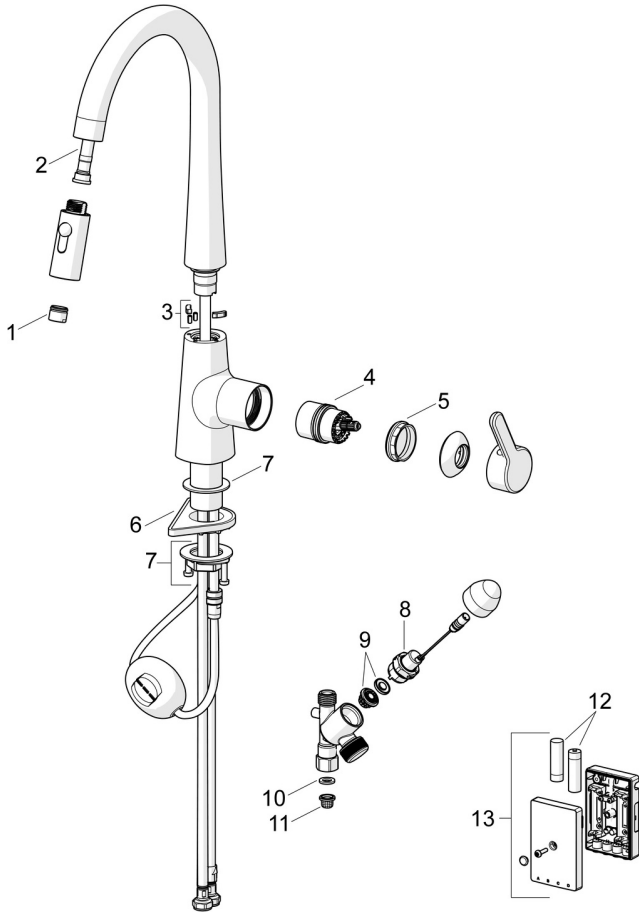
STF certificate	EUF129-19004498-TH1
KIWA SE	1607
Declaration of conformity	RED
EPD	S-P-06396

SUSTAINABILITY

EPD module A1-A3 (kg CO2 eq.)	28,31
EPD module A4 (kg CO2 eq.)	0,56
EPD module B7 (kg CO2 eq.)	3782,40
EPD module C2 (kg CO2 eq.)	0,04
EPD module C3 (kg CO2 eq.)	0,05
EPD module C4 (kg CO2 eq.)	0,86
EPD module D (kg CO2 eq.)	-16,00



SPARE PARTS



SP3031F-CLR

	Name	Code
01	Aerator	1000972V
02	Hose, L=1500, G1/2-M14x1	1004704V
03	Spout overturning stopper, 60°/0°	602706/2
04	Cartridge	1003691V
05	Tightening nut, M42x1.5, SW 38	158726
06	Supporting plate, 100x60mm	158825
07	Fixing set	602629V
08	Pilot valve, 3 V	601884V-F
09	Membrane for solenoid valve	1006500V
10	Gasket, 18.5/12x2 EPD	438025/10
11	Litter filters	199257/2
12	Battery, (2x) 1.5 V AA Lithium	600599V
13	Control unit, 3 V, Bluetooth	1005266V