



# 3031F ORAS INSPERA COMFORT+ KITCHEN FAUCET WITH DISHWASHER VALVE, 3 V

SINGLE-LEVER, SIDE OPERATED, BATTERY-OPERATED, DISHWASHER VALVE, BLUETOOTH®

EAN: 6414150082740 [static.oras.com/3031F](http://static.oras.com/3031F)

Kitchen faucet with smart dishwasher valve and with pull-out spout. Swivel spout with pull-out spout/spray and aerator. Spout's pull-out length can be fixed. Spout's swing angle is factory preset at 150° (can be limited to 60° / 0°). Dishwasher valve closes automatically after 4 or 12 hours (one push opens the valve for 4 hours, pushing for 5 seconds opens the valve for 12 hours). Battery operated, 3 V. There are also in-built limitation options for water temperature and maximum flow-rate.

F = with flexible pipes



- Deck mounted
- Chrome
- Swivel spout, Pull-out model, Swivel range limiting option
- Electronic stop valve for external equipment
- Single operating lever/handle, Hot/Cold symbols
- Limitation option for maximum temperature and flow-rate
- ø 40 mm ceramic cartridge for flow and temperature control, Litter filter(s)
- Solenoid valve, External control unit, Light indicated function(s), Low battery indicator
- Flexible inlet pipes
- Soft- and Needle-Spray
- 2 spray functions

## TECHNICAL DATA

### FLOW PROPERTIES

Flow-rate at 300 kPa	0.16 l/s
Pressure loss with flow (0.2 l/s)	490 kPa (70% qv = 240 kPa)

### TECHNICAL PROPERTIES

Hot water supply	max. +70°C
Working pressure	50 - 1000 kPa
Connection size	G3/8
Projection	231 mm
Material	Brass

### SOFTWARE SETTINGS

Dishwasher valve open period	4 h / 12 h
------------------------------	------------

### ELECTRONIC PROPERTIES

Battery	AA 1.5 V Lithium x 2
Bluetooth version	5.x (D060577)

### REGULATIONS

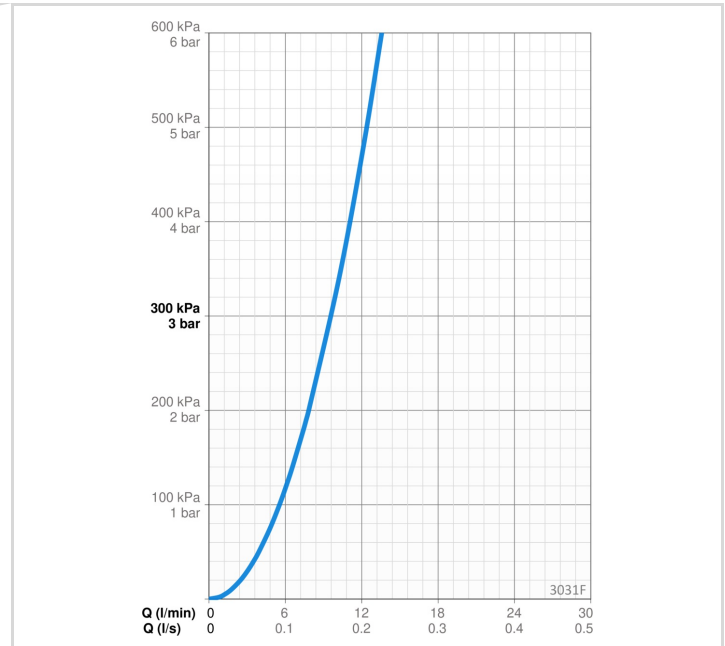
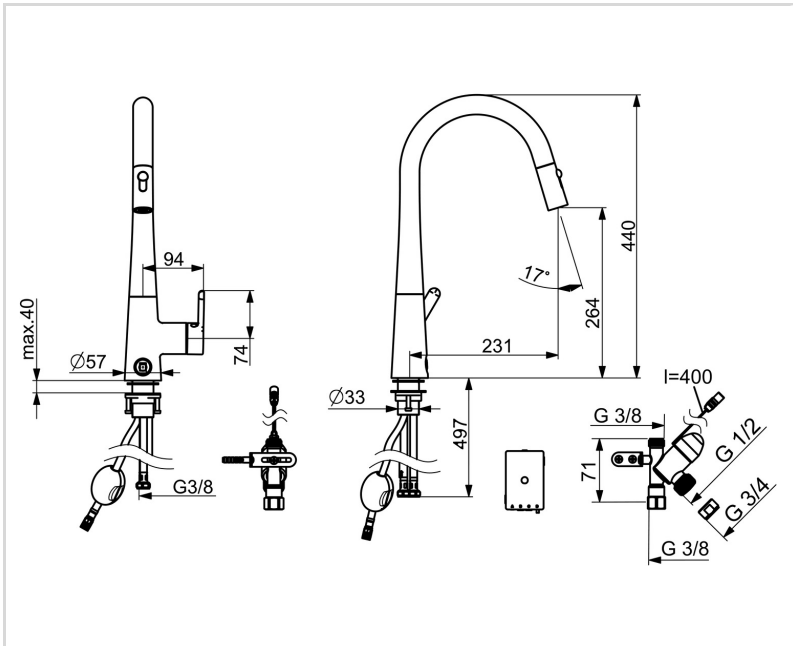
EU Directives	CE Radio Equipment Directive 2014/53/EU , Low Voltage Directive 2014/35/EU , EMC Directive 2014/30/EU , RoHS Directive 2011/65/EU
EN standard	EN 817, EN 15091, ETSI EN 301 489-1 V1.9.2 , ETSI EN 300 328 v2.2.2, EN 18031-1, EN 61000-6-1:2007 , EN 61000-6-3:2007+A1:2011+AC:2012 , EN 60335-1:2012+A11+A13+A14+A15:2021, Part 19.11.4
Noise class	I (ISO 3822)
Protection class	IP 55

### APPROVALS AND DECLARATIONS

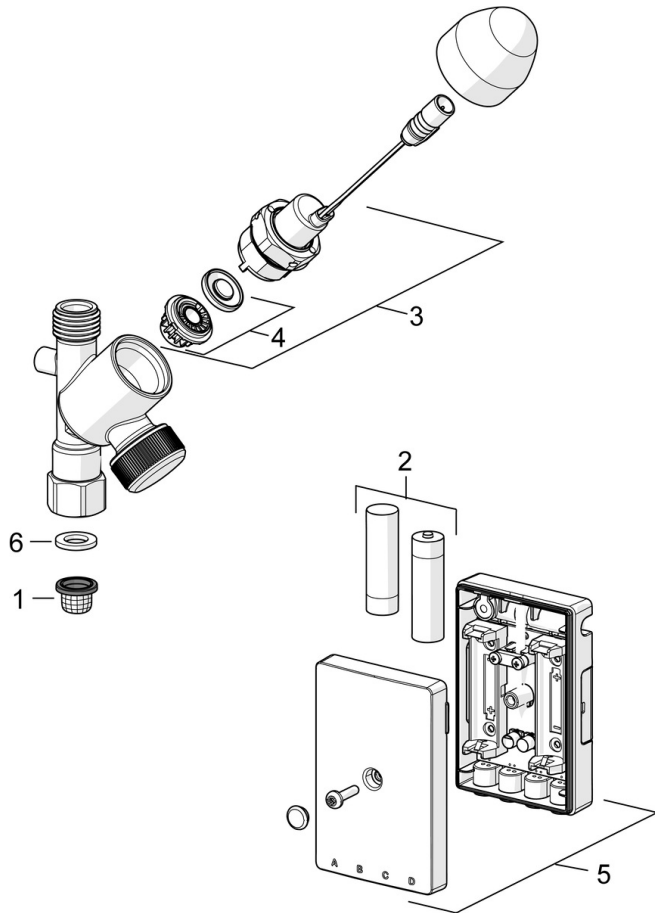
STF certificate	EUF129-19004498-TH1
KIWA SE	1607
UN38.3	UN38-3 Energizer L91
Declaration of conformity	RED
EPD	S-P-06396

**SUSTAINABILITY**

EPD module A1-A3 (kg CO2 eq.)	<b>27,09</b>
EPD module A4 (kg CO2 eq.)	<b>0,54</b>
EPD module B7 (kg CO2 eq.)	<b>3782,40</b>
EPD module C2 (kg CO2 eq.)	<b>0,04</b>
EPD module C3 (kg CO2 eq.)	<b>0,04</b>
EPD module C4 (kg CO2 eq.)	<b>0,82</b>
EPD module D (kg CO2 eq.)	<b>-15,32</b>

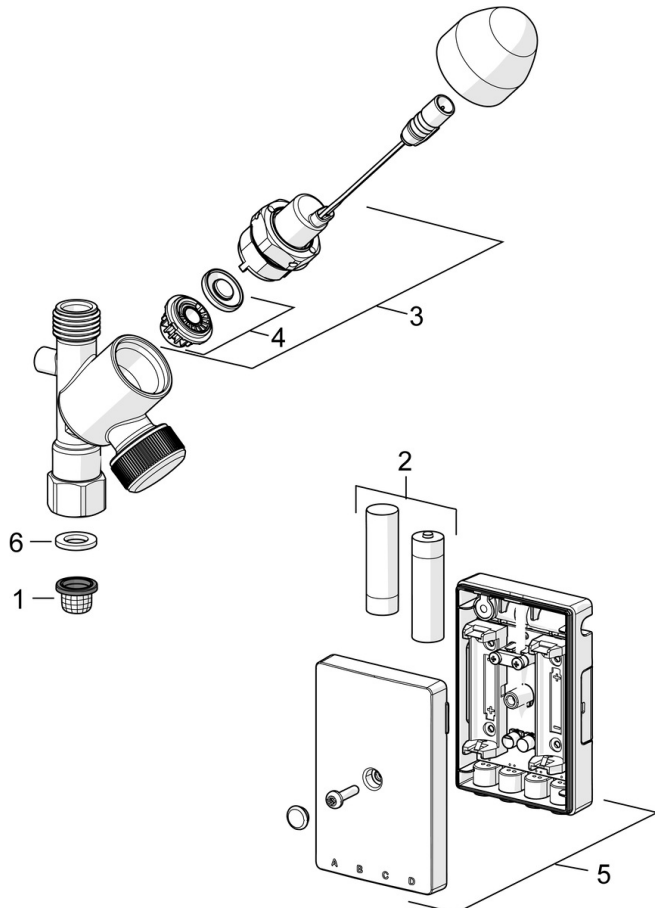


## SPARE PARTS



### SP0116

	Name	Code
01	Litter filters	199257/2
02	Battery, (2x) 1.5 V AA Lithium	600599V
03	Pilot valve, 3 V	601884V-F
04	Membrane Discontinued	601512V
04	Membrane for solenoid valve	1006500V
05	Control unit, 3 V, Bluetooth	1005266V
06	Gasket, 18.5/12x2 EPD	438025/10



### SP3032F

	Name	Code
01	Aerator	1000972V
02	Shower head Chrome	1001321V
03	Hose, L=1500, G1/2-M14x1	1004704V
04	Spout Chrome Discontinued	1003323V
05	Spout overturning stopper, 60°/0°	602706/2
06	Lever Chrome	1003084V
07	Symbol plug Discontinued	602069V
08	Covering cap Chrome	1001740V
09	Tightening nut, M42x1.5, SW 38	158726
10	Cartridge	1003691V
11	Push button, 3 V Chrome	1004296V
12	Fixing set	602629V
13	Supporting plate, 100x60mm	158825
14	Flexible pipe, L=550, G3/8-M10x1 LH Discontinued	1004663V