



3032F-33 ORAS INSPERA COMFORT KITCHEN FAUCET

SINGLE-LEVER, SIDE OPERATED

EAN: 6414150105937 static.oras.com/3032F-33

Kitchen faucet with pull-out spout. Swivel spout with pull-out spout/spray and aerator. Spout's pull-out length can be fixed. Spout's swing angle is factory preset at 150° (can be limited to 60° / 0°). There are also in-built limitation options for water temperature and maximum flow-rate.

F = with flexible pipes



- Deck mounted
- Matt black
- Swivel spout, Pull-out model, Swivel range limiting option
- Single operating lever/handle, Hot/Cold symbols
- Limitation option for maximum temperature and flow-rate
- ø 40 mm ceramic cartridge for flow and temperature control
- Flexible inlet pipes
- 2 spray functions

TECHNICAL DATA

FLOW PROPERTIES

Flow-rate at 300 kPa	0.16 l/s
Pressure loss with flow (0.2 l/s)	490 kPa (70% qv = 240 kPa)

TECHNICAL PROPERTIES

Hot water supply	max. +70°C
Working pressure	50 - 1000 kPa
Connection size	G3/8
Projection	231 mm
Material	Brass

REGULATIONS

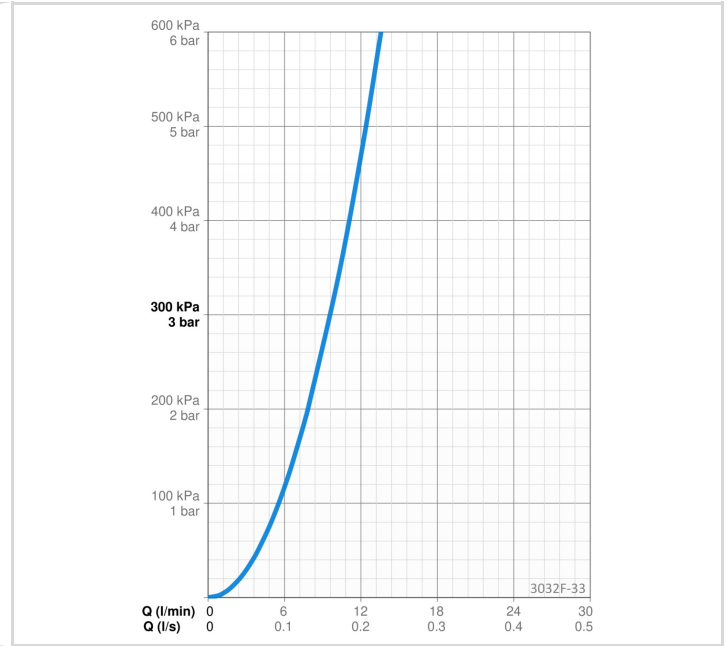
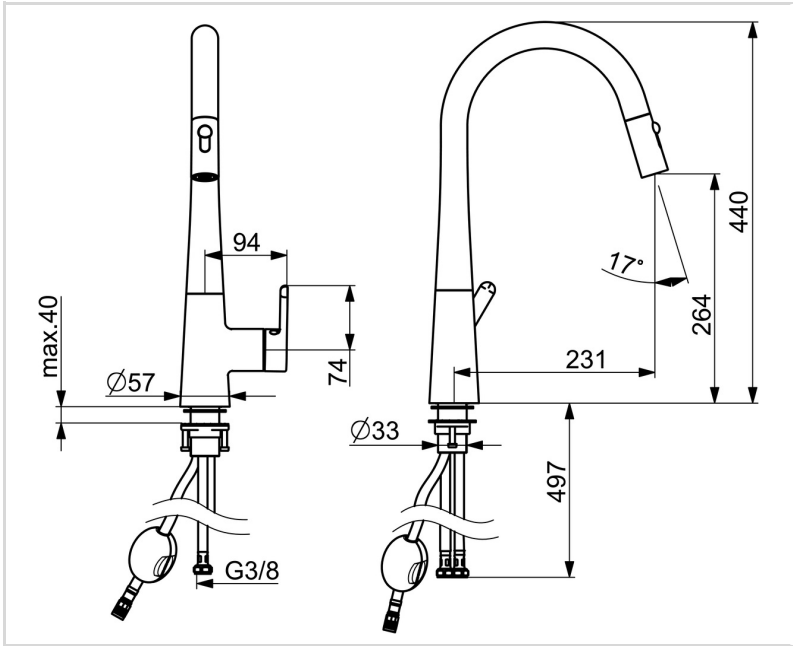
EN standard	EN 817
Noise class	I (ISO 3822)

APPROVALS AND DECLARATIONS

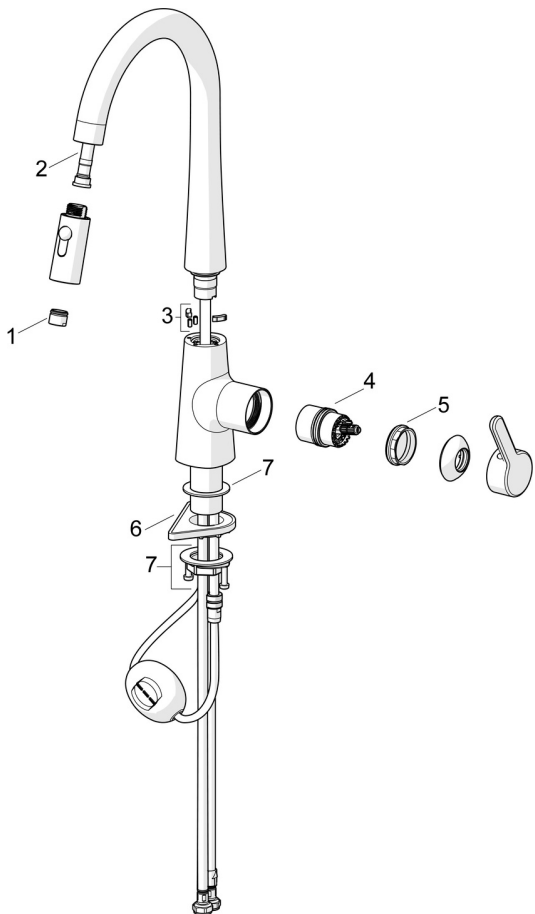
STF certificate	EUFI29-19004498-TH1
KIWA SE	1607
Declaration of conformity	DoC
EPD	S-P-06396

SUSTAINABILITY

EPD module A1-A3 (kg CO2 eq.)	24,21
EPD module A4 (kg CO2 eq.)	0,48
EPD module B7 (kg CO2 eq.)	3782,40
EPD module C2 (kg CO2 eq.)	0,04
EPD module C3 (kg CO2 eq.)	0,04
EPD module C4 (kg CO2 eq.)	0,73
EPD module D (kg CO2 eq.)	-13,69



SPARE PARTS



SP3032F-CLR

Name	Code
01 Aerator	1000972V
02 Hose, L=1500, G1/2-M14x1	1004704V
03 Spout overturning stopper, 60°/0°	602706/2
04 Cartridge	1003691V
05 Tightening nut, M42x1.5, SW 38	158726
06 Supporting plate, 100x60mm	158825
07 Fixing set	602629V