



3032F ORAS INSPERA COMFORT KITCHEN FAUCET

SINGLE-LEVER, SIDE OPERATED

EAN: 6414150082726 static.oras.com/3032F



Introducing the Oras Inspera Kitchen Faucet, a sleek and functional addition to any modern kitchen. The chrome surface treatment adds a touch of elegance to the design, while the pull-out spout with two spray functions and aerator provides versatility and convenience. The spout's swing angle is preset at 150° but can be limited to 60° or 0° for added control. With in-built options for water temperature and maximum flow-rate, this deck-mounted faucet is perfect for any kitchen. The single-lever, side-operated handle with hot/cold symbols makes it easy to use. Upgrade your kitchen with the Oras Inspera Kitchen Faucet today.

- Deck mounted
- Chrome
- Swivel spout, Pull-out model, Swivel range limiting option
- Single operating lever/handle, Hot/Cold symbols
- Limitation option for maximum temperature and flow-rate
- ø 40 mm ceramic cartridge for flow and temperature control
- Flexible inlet pipes
- Soft- and Needle-Spray
- 2 spray functions

TECHNICAL DATA

FLOW PROPERTIES

Flow-rate at 300 kPa	0.16 l/s
Pressure loss with flow (0.2 l/s)	490 kPa (70% qv = 240 kPa)

TECHNICAL PROPERTIES

Hot water supply	max. +70°C
Working pressure	50 - 1000 kPa
Connection size	G3/8
Projection	231 mm
Material	Brass

REGULATIONS

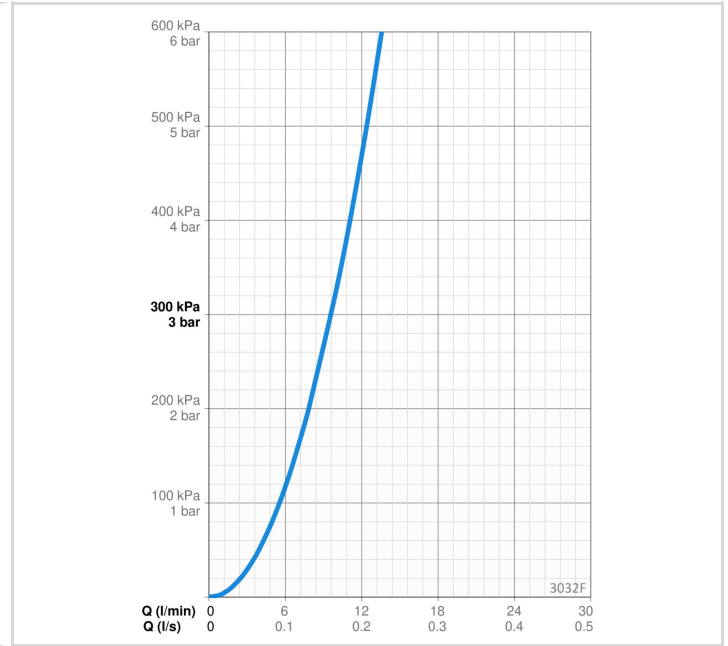
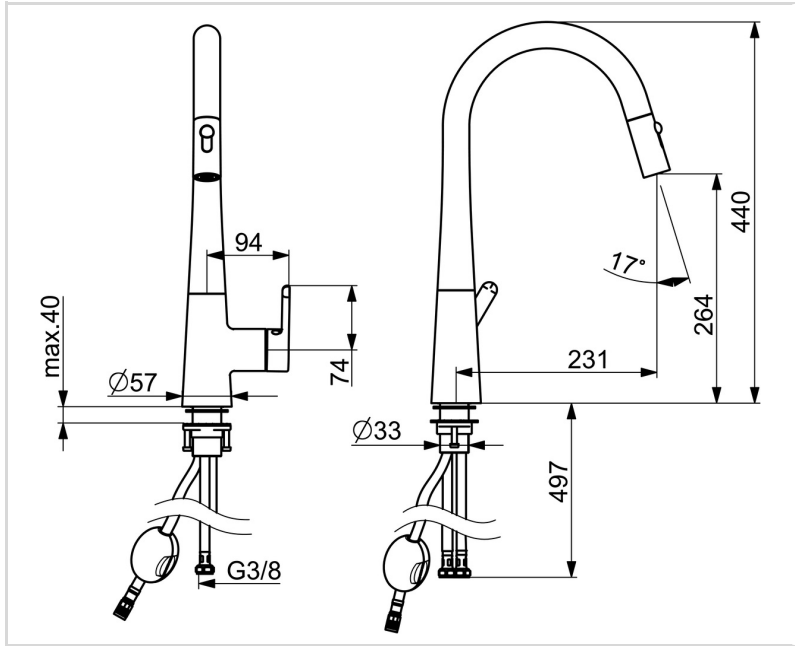
EN standard	EN 817
Noise class	I (ISO 3822)

APPROVALS AND DECLARATIONS

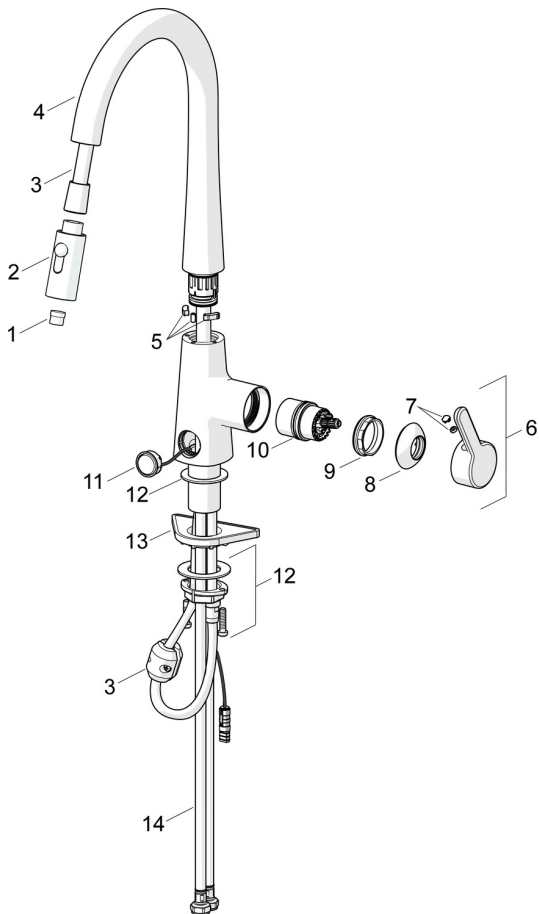
STF certificate	EUFI29-19004498-TH1
KIWA SE	1607
Declaration of conformity	DoC
EPD	S-P-06396

SUSTAINABILITY

EPD module A1-A3 (kg CO2 eq.)	23,34
EPD module A4 (kg CO2 eq.)	0,47
EPD module B7 (kg CO2 eq.)	3782,40
EPD module C2 (kg CO2 eq.)	0,03
EPD module C3 (kg CO2 eq.)	0,04
EPD module C4 (kg CO2 eq.)	0,71
EPD module D (kg CO2 eq.)	-13,19



SPARE PARTS



SP3032F

Name	Code
01 Aerator	1000972V
02 Shower head Chrome	1001321V
03 Hose, L=1500, G1/2-M14x1	1004704V
04 Spout Chrome Discontinued	1003323V
05 Spout overturning stopper, 60°/0°	602706/2
06 Lever Chrome	1003084V
07 Symbol plug Discontinued	602069V
08 Covering cap Chrome	1001740V
09 Tightening nut, M42x1.5, SW 38	158726
10 Cartridge	1003691V
11 Push button, 3 V Chrome	1004296V
12 Fixing set	602629V
13 Supporting plate, 100x60mm	158825
14 Flexible pipe, L=550, G3/8-M10x1 LH Discontinued	1004663V