



Washbasin faucet with fixed spout and solid lever. There are also in-built limitation options for water temperature and maximum flow-rate.

F= with flexible pipes

- Deck mounted
- Chrome
- Fixed spout
- Standard aerator
- Single operating lever/handle, Hot/Cold symbols
- Limitation option for maximum temperature and flow-rate
- ø 35 mm ceramic cartridge for flow and temperature control
- Flexible inlet pipes
- Rapid installation system

TECHNICAL DATA

FLOW PROPERTIES

Flow-rate at 300 kPa (with flow controller)	0.1 l/s
Pressure loss with flow (0.1 l/s)	200 kPa

TECHNICAL PROPERTIES

Hot water supply	max. +70°C
Working pressure	100 - 1000 kPa
Connection size	G3/8
Projection	121 mm
Backflow prevention (EN1717)	AA
Material	Brass

REGULATIONS

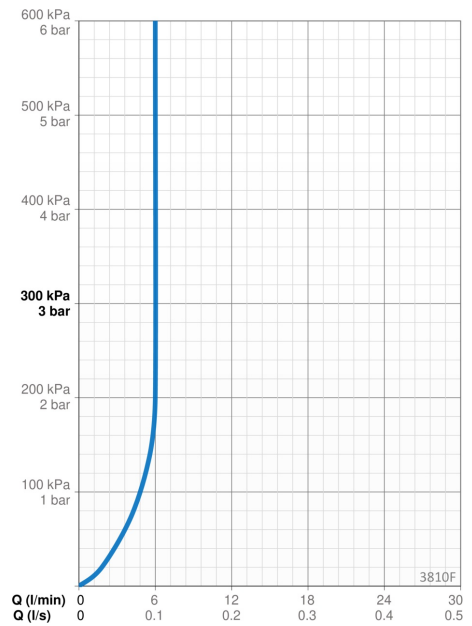
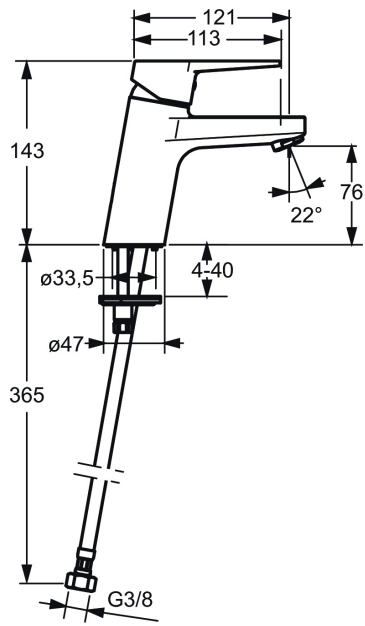
EN standard	EN 817
Noise class	I (ISO 3822)

APPROVALS AND DECLARATIONS

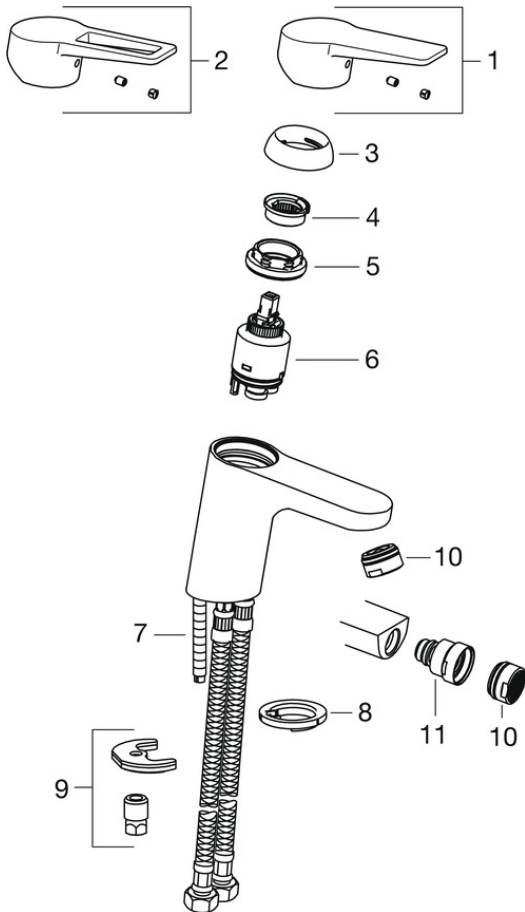
Declaration of conformity	DoC
EPD	S-P-06391

SUSTAINABILITY

EPD module A1-A3 (kg CO2 eq.)	6,64
EPD module A4 (kg CO2 eq.)	0,18
EPD module B7 (kg CO2 eq.)	1854,00
EPD module C2 (kg CO2 eq.)	0,01
EPD module C3 (kg CO2 eq.)	0,01
EPD module C4 (kg CO2 eq.)	0,05
EPD module D (kg CO2 eq.)	-4,72



SPARE PARTS



SP3810F

Name	Code
01 Lever Chrome Discontinued	602616V
02 Lever Chrome Discontinued	602617V
03 Covering cap Chrome	601967V
04 Temperature adjustment limiter Discontinued	601973V
05 Tightening nut, M40x1, SW30	1003409V
06 Cartridge, 3.5 Classic	601969V
07 Fixing screw, M8x1, L=140	601970V
08 Bottom seal	1002371V
09 Fixing set Discontinued	601972V
10 Aerator, M24x1, 6 l/min Chrome	601974V
11 Ball joint for bidet faucet Discontinued	601976V