



- ECO Building
- Deck mounted
- Chrome
- Single operating lever/handle, Hot/Cold symbols
- Pop-up waste with draw-rod, Chain holder without chain
- Limitation option for maximum temperature and flow-rate
- \varnothing 35 mm ceramic cartridge for flow and temperature control
- Flexible inlet pipes
- Rapid installation system

TECHNICAL DATA

FLOW PROPERTIES

Flow-rate at 300 kPa (with flow controller) **0.028 l/s**

TECHNICAL PROPERTIES

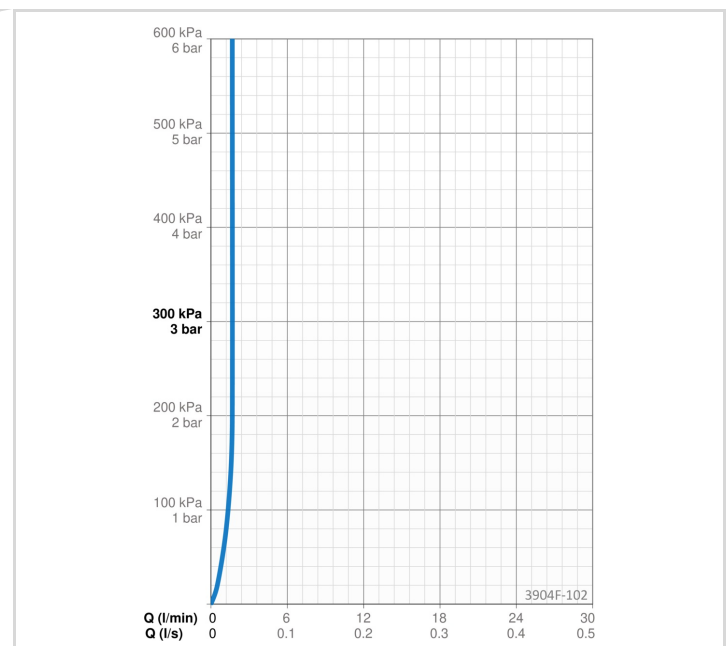
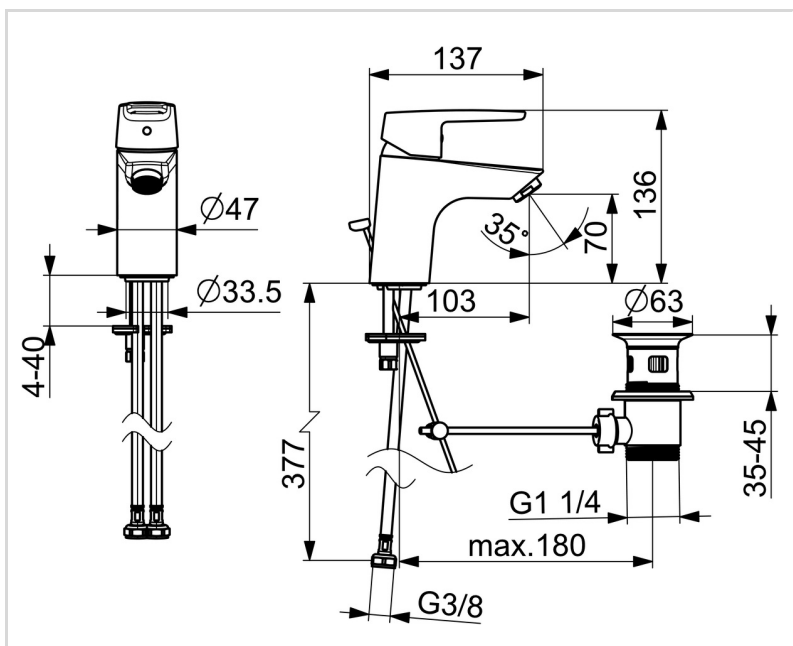
Hot water supply **max. +70°C**
 Working pressure **50 - 1000 kPa**
 Connection size **G3/8**
 Projection **103 mm**
 Material **Brass**

REGULATIONS

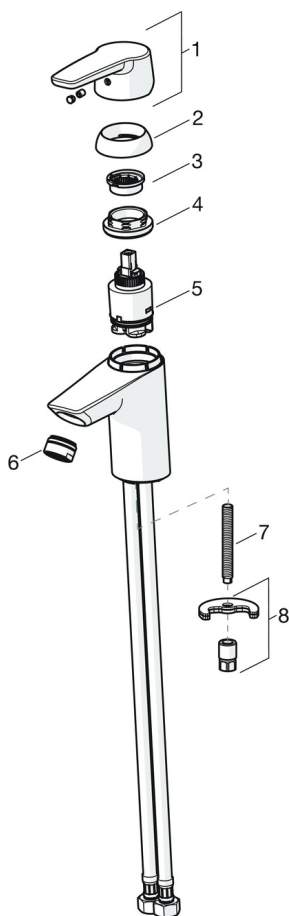
EN standard **EN 817**
 Noise class **I (ISO 3822) Oras lab.**

APPROVALS AND DECLARATIONS

KIWA SE **1413**
 Declaration of conformity **DoC**



SPARE PARTS



SP3914F-GB

	Name	Code
01	Lever Chrome	1000801V
02	Covering cap Chrome	601967V
03	Temperature adjustment limiter Discontinued	601973V
04	Tightening nut, M40x1, SW30	1003409V
05	Cartridge, 3.5 Classic	601969V
06	Aerator, M24x1, -105	601166V
06	Aerator, M24x1, -102	601255V
06	Aerator, M24x1, -104	601434V
07	Fixing screw, M8x1, L=140	601970V
08	Fixing set	601985V