



- Industry, ECO Building, Housing
- Deck mounted
- Chrome
- Fixed spout
- Standard aerator
- Single operating lever/handle, Hot/Cold symbols
- Limitation option for maximum temperature and flow-rate
- ø 35 mm ceramic cartridge for flow and temperature control
- Flexible inlet pipes

TECHNICAL DATA

FLOW PROPERTIES

Flow-rate at 300 kPa (with flow controller)	0.07 l/s
---	----------

TECHNICAL PROPERTIES

DN-size (nominal dimension)	DN15
Hot water supply	max. +70°C
Working pressure	50 - 1000 kPa
Connection size	G3/8
Projection	110 mm
Backflow prevention (EN1717)	AA
Material	Brass

REGULATIONS

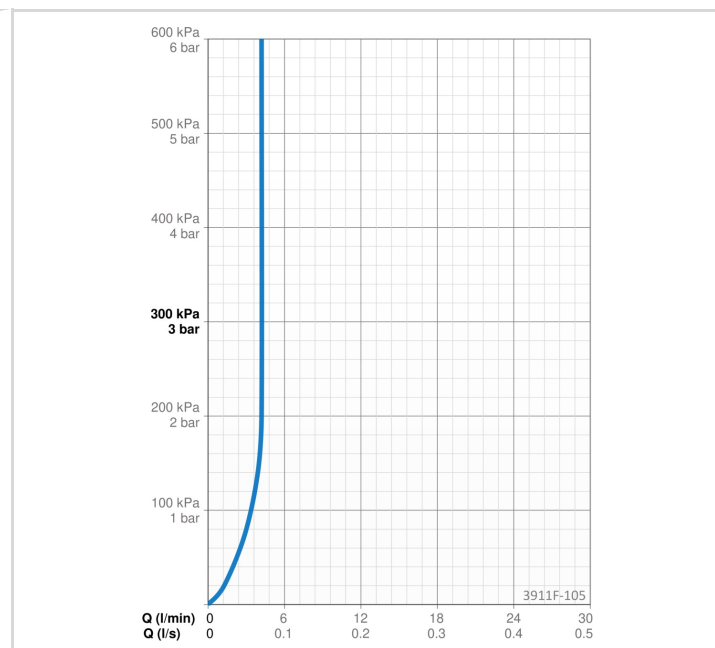
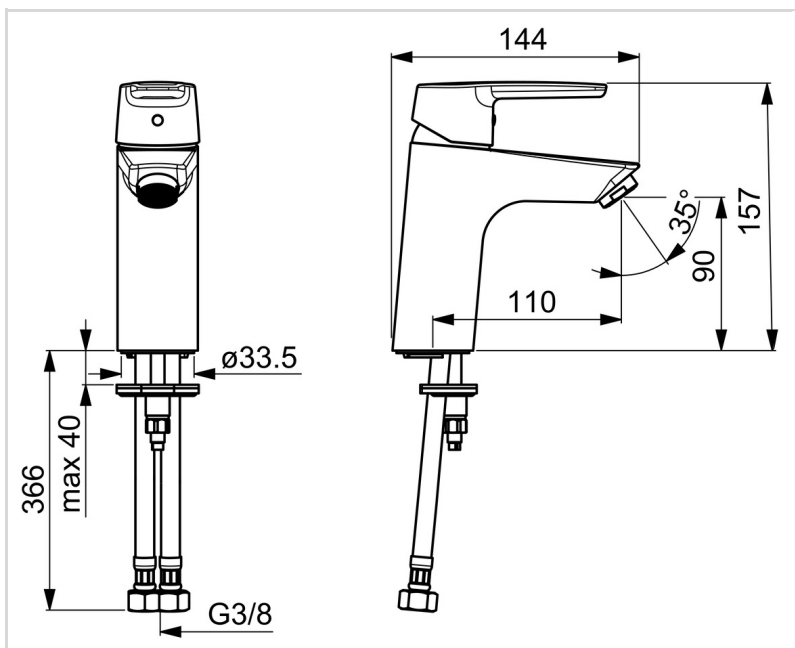
EN standard	EN 817
Noise class	I (ISO 3822) Oras lab.

APPROVALS AND DECLARATIONS

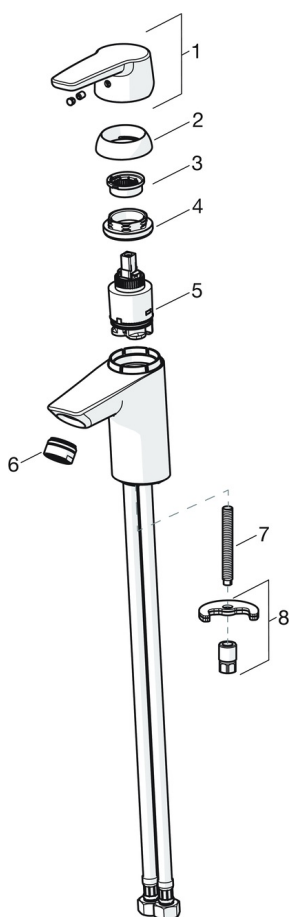
KIWA SE	1413
Declaration of conformity	DoC
EPD	S-P-06391

SUSTAINABILITY

EPD module A1-A3 (kg CO2 eq.)	6,98
EPD module A4 (kg CO2 eq.)	0,19
EPD module B7 (kg CO2 eq.)	1297,80
EPD module C2 (kg CO2 eq.)	0,01
EPD module C3 (kg CO2 eq.)	0,01
EPD module C4 (kg CO2 eq.)	0,05
EPD module D (kg CO2 eq.)	-4,96



SPARE PARTS



SP3914F-GB

	Name	Code
01	Lever Chrome	1000801V
02	Covering cap Chrome	601967V
03	Temperature adjustment limiter Discontinued	601973V
04	Tightening nut, M40x1, SW30	1003409V
05	Cartridge, 3.5 Classic	601969V
06	Aerator, M24x1, -105	601166V
06	Aerator, M24x1, -102	601255V
06	Aerator, M24x1, -104	601434V
07	Fixing screw, M8x1, L=140	601970V
08	Fixing set	601985V