



3935F ORAS SAGA KITCHEN FAUCET WITH DISHWASHER VALVE

SINGLE-LEVER, DISHWASHER VALVE

EAN: 6414150078002 static.oras.com/3935F

Kitchen faucet with dishwasher valve with ceramic valve 90° rotation for ON/OFF. Swivel spout and aerator. Spout's swing angle is factory preset at 120° (can be limited to 40°-80°). In-built limitation options for water temperature and maximum flow-rate.



- Deck mounted
- Chrome
- Swivel spout, Swivel range limiting option
- Standard aerator
- Mechanic stop valve for external equipment
- Single operating lever/handle, Hot/Cold symbols
- Limitation option for maximum temperature and flow-rate
- ø 35 mm ceramic cartridge for flow and temperature control
- Flexible inlet pipes
- Rapid installation system

TECHNICAL DATA

FLOW PROPERTIES

Flow-rate at 300 kPa	0.16 l/s
Pressure loss with flow (0.2 l/s)	300 kPa

TECHNICAL PROPERTIES

Hot water supply	max. +70°C
Working pressure	50 - 1000 kPa
Connection size	G3/8
Projection	215 mm
Material	Brass

REGULATIONS

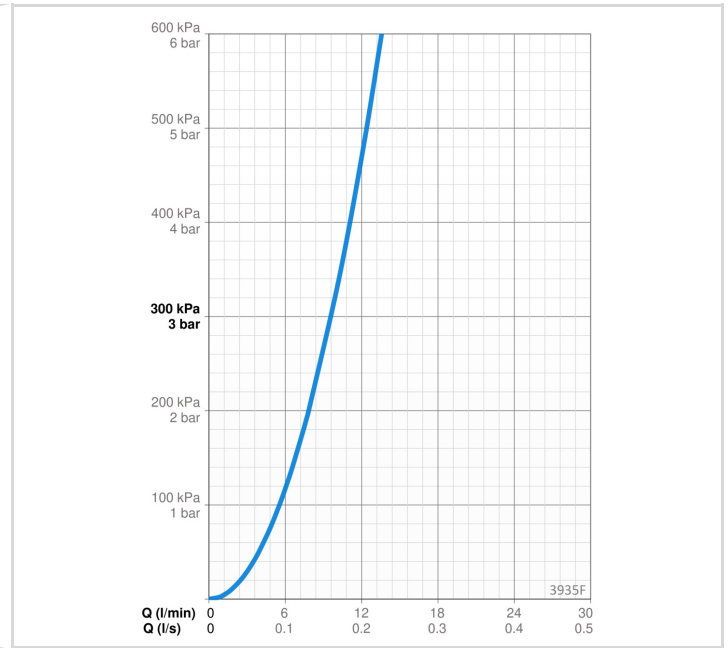
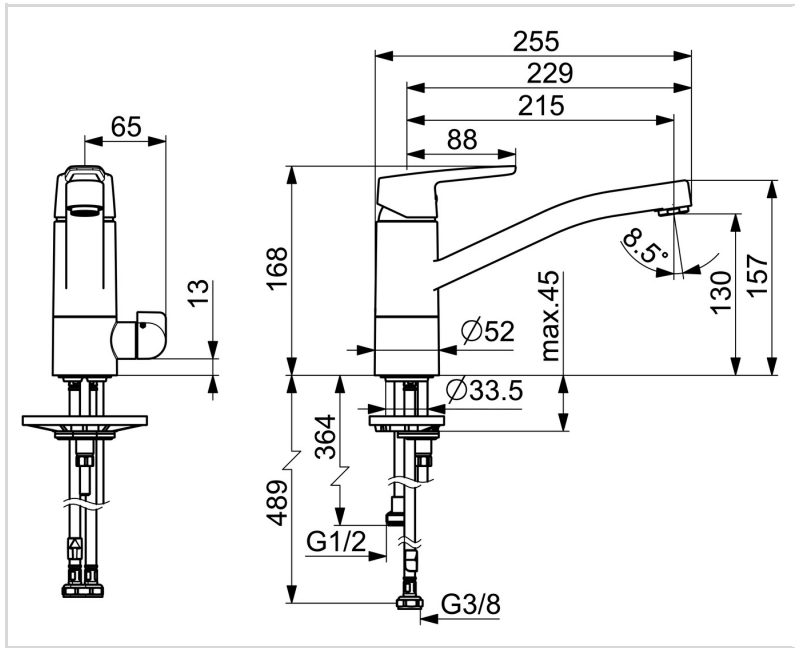
EN standard	EN 817
Noise class	I (ISO 3822)

APPROVALS AND DECLARATIONS

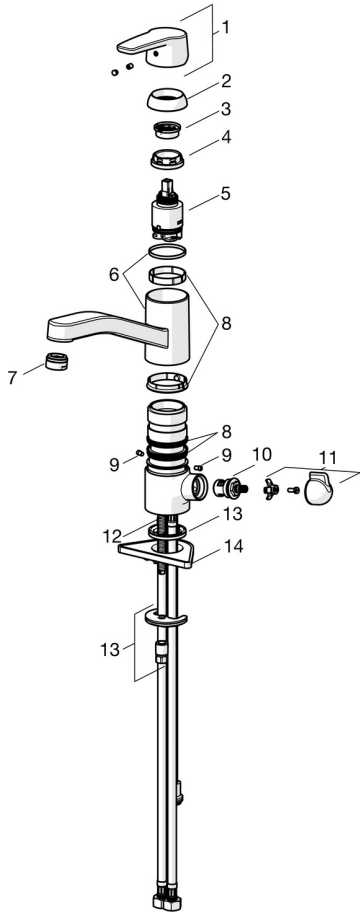
KIWA SE	1444
Declaration of conformity	DoC
EPD	S-P-06396

SUSTAINABILITY

EPD module A1-A3 (kg CO2 eq.)	12,37
EPD module A4 (kg CO2 eq.)	0,25
EPD module B7 (kg CO2 eq.)	3782,40
EPD module C2 (kg CO2 eq.)	0,02
EPD module C3 (kg CO2 eq.)	0,02
EPD module C4 (kg CO2 eq.)	0,37
EPD module D (kg CO2 eq.)	-6,99

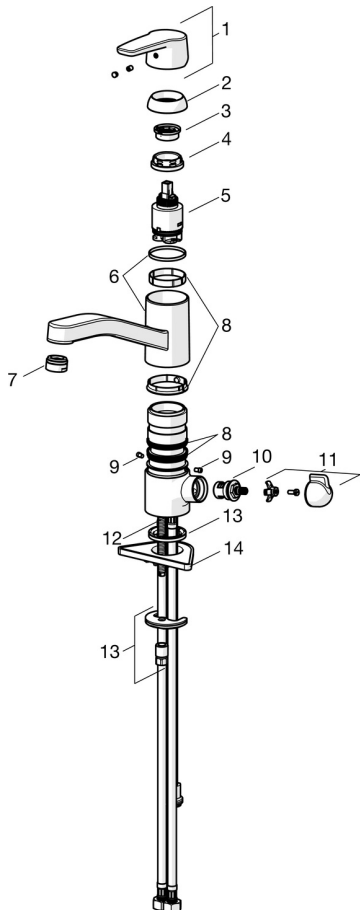


SPARE PARTS



SP3935F

	Name	Code
01	Lever Chrome	1000801V
02	Covering cap Chrome	601967V
03	Temperature adjustment limiter Discontinued	601973V
04	Tightening nut, M37x1, AF30 Discontinued	601979V
05	Cartridge, 3.5 Classic	601969V
06	Spout Chrome Discontinued	1000832V
07	Aerator, M24x1	602064V
08	Sealing kit Discontinued	601983V
08	Sealing kit	1001264V
09	Spout overturning stopper Discontinued	1000980/2
10	Headpart, G1/2	602600V
11	Handle for washing machine valve Chrome	1005697V
12	Fixing screw, M8x1, L=140	601970V
13	Fixing set	601985V
14	Supporting plate, 100x60mm	158825



SP3935F(2020)

	Name	Code
01	Lever Chrome	1000801V
02	Covering cap Chrome	601967V
03	Tightening nut, M37x1, SW30	1005680V
04	Cartridge, 3.5 Classic	601969V
05	Aerator, M24x1	602064V
06	Sealing kit	1001264V
07	Spout overturning stopper, 120°	1001406/10
08	Headpart, G1/2	602600V
09	Handle for washing machine valve Chrome	1005697V
10	Fixing screw, M8x1, L=140	601970V
11	Fixing set	601985V
12	Supporting plate, 100x60mm	158825