



3935FH ORAS SAGA STYLE KITCHEN FAUCET WITH DISHWASHER VALVE

DISCONTINUED

SINGLE-LEVER, DISHWASHER VALVE

EAN: 6414150089077 static.oras.com/3935FH

Oras Saga Style kitchen faucet with dishwasher valve with ceramic cartridge 90° rotation for ON/OFF. Swivel spout and aerator. Spout's swing angle is factory preset at 120° (can be limited to 40°-80°). In-built limitation options for water temperature and maximum flow-rate. 3S-Installation system. F= with flexible pipes



- Deck mounted
- Chrome
- Swivel range limiting option
- Standard aerator
- Mechanic stop valve for external equipment
- Single operating lever/handle, Hot/Cold symbols
- Limitation option for maximum temperature and flow-rate
- ø 35 mm ceramic cartridge for flow and temperature control
- Flexible inlet pipes
- 3S-installation system for safe and simple mounting

TECHNICAL DATA

FLOW PROPERTIES

Flow-rate at 300 kPa **0.16 l/s**

TECHNICAL PROPERTIES

Hot water supply **max. +70°C**
Working pressure **50 - 1000 kPa**
Connection size **G3/8**
Projection **215 mm**
Material **Brass**

REGULATIONS

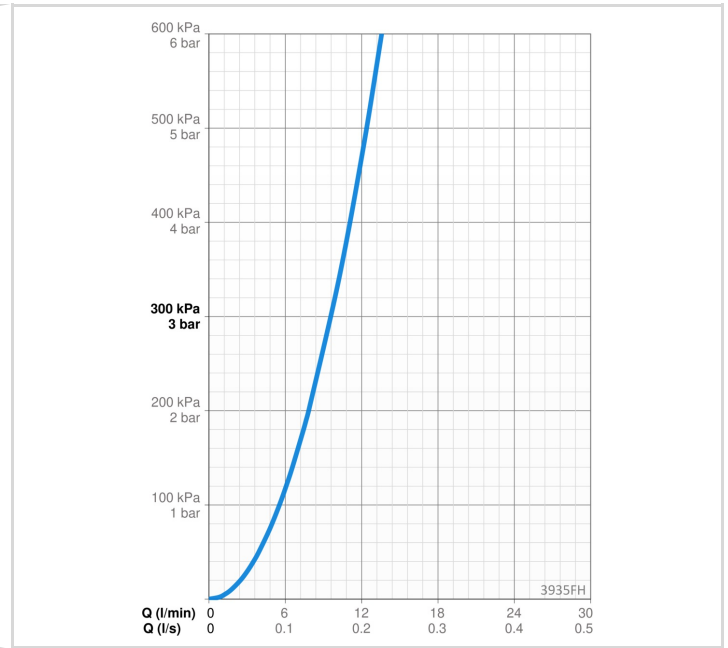
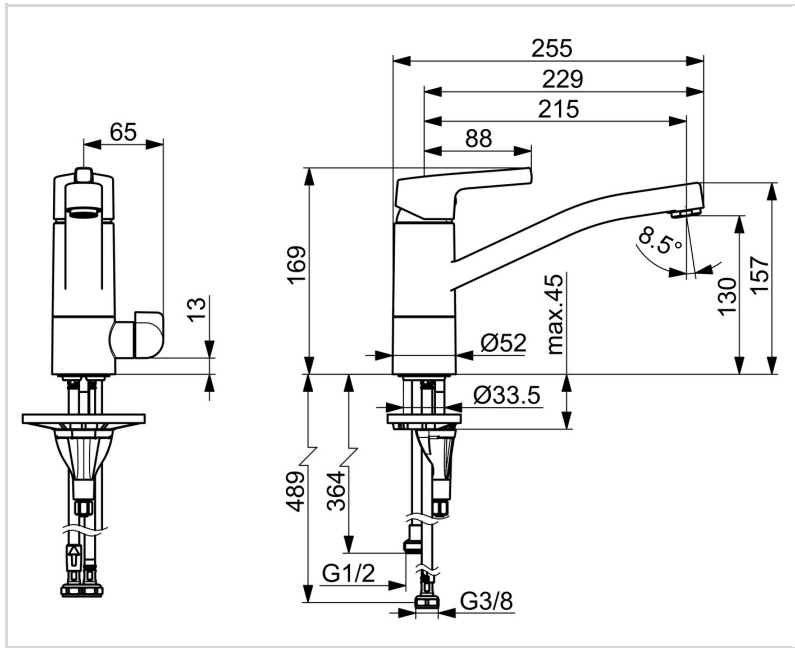
EN standard **EN 817**
Noise class **I(ISO3822)**

APPROVALS AND DECLARATIONS

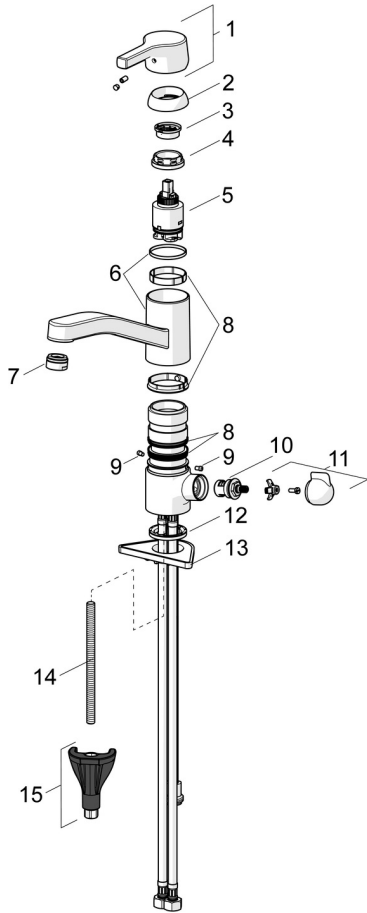
KIWA SE **1444**
Declaration of conformity **DoC**
EPD **S-P-06396**

SUSTAINABILITY

EPD module A1-A3 (kg CO2 eq.) **13,79**
EPD module A4 (kg CO2 eq.) **0,28**
EPD module B7 (kg CO2 eq.) **3782,40**
EPD module C2 (kg CO2 eq.) **0,02**
EPD module C3 (kg CO2 eq.) **0,02**
EPD module C4 (kg CO2 eq.) **0,42**
EPD module D (kg CO2 eq.) **-7,80**

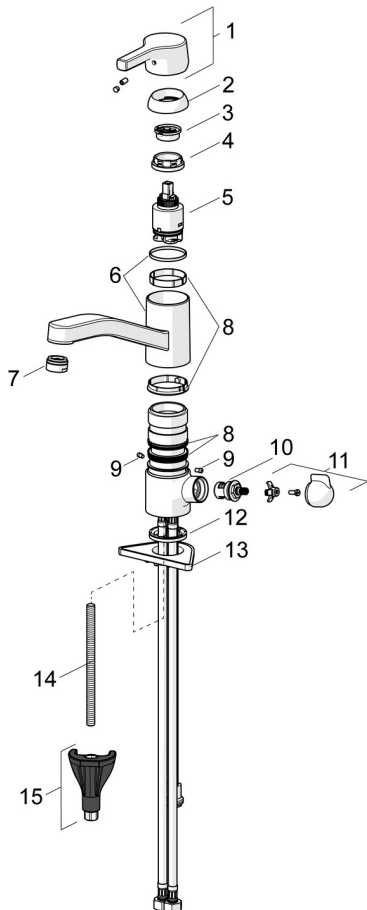


SPARE PARTS



SP3935FH

	Name	Code
01	Lever Chrome Discontinued	1005671V
02	Covering cap Chrome	601967V
03	Temperature adjustment limiter Discontinued	601973V
04	Tightening nut, M37x1, AF30 Discontinued	601979V
05	Cartridge, 3.5 Classic	601969V
06	Spout Chrome Discontinued	1000832V
07	Aerator, M24x1	602064V
08	Sealing kit Discontinued	601983V
08	Sealing kit	1001264V
09	Spout overturning stopper Discontinued	1000980/2
10	Headpart, G1/2	602600V
11	Handle for washing machine valve Chrome	1005697V
12	Bottom seal	1002371V
13	Supporting plate, 100x60mm	158825
14	Fixing screw, M8x1, L=130	1000780V
15	Fixing set	602610V



SP3935FH(2020)

	Name	Code
01	Lever Chrome Discontinued	1005671V
02	Covering cap Chrome	601967V
03	Tightening nut, M37x1, SW30	1005680V
04	Cartridge, 3.5 Classic	601969V
05	Aerator, M24x1	602064V
06	Sealing kit	1001264V
07	Spout overturning stopper, 120°	1001406/10
08	Headpart, G1/2	602600V
09	Handle for washing machine valve Chrome	1005697V
10	Bottom seal	1002371V
11	Supporting plate, 100x60mm	158825
12	Fixing screw, M8x1, L=130	1000780V
13	Fixing set	602610V