



# 3940Y ORAS SAGA BATH AND SHOWER FAUCET

SINGLE-LEVER

EAN: 6414150078156 [static.oras.com/3940Y](http://static.oras.com/3940Y)



Bath and shower faucet with eccentric unions, 150cc and cover plates are included. There are also in-built limitation options for water temperature and maximum flow-rate.

- Wall mounted
- Chrome
- Fixed spout
- Standard aerator
- Single operating lever/handle, Hot/Cold symbols
- Pull operated diverter
- Limitation option for maximum temperature and flow-rate
- ø 35 mm ceramic cartridge for flow and temperature control
- Eccentric coupling(s), Cover plate(s)

## TECHNICAL DATA

### FLOW PROPERTIES

|                                   |          |
|-----------------------------------|----------|
| Flow-rate at 300 kPa              | 0.33 l/s |
| Pressure loss with flow (0.2 l/s) | 165 kPa  |
| Pressure loss with flow (0.3 l/s) | 300 kPa  |

### TECHNICAL PROPERTIES

|                              |               |
|------------------------------|---------------|
| DN-size (nominal dimension)  | DN15          |
| Hot water supply             | max. +80°C    |
| Working pressure             | 50 - 1000 kPa |
| Connection size              | G3/4          |
| Installation width           | 150 ± 15 mm   |
| Projection                   | 157 mm        |
| Backflow prevention (EN1717) | EB            |
| Material                     | Brass         |

### REGULATIONS

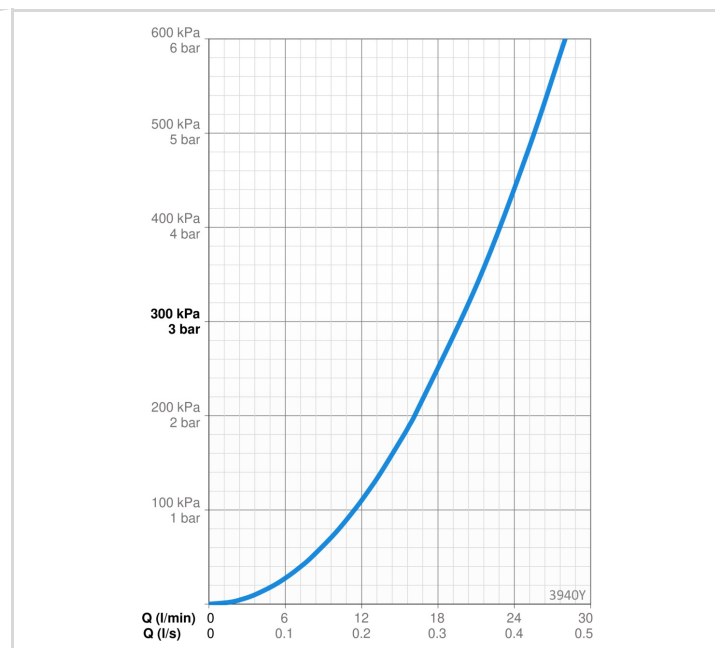
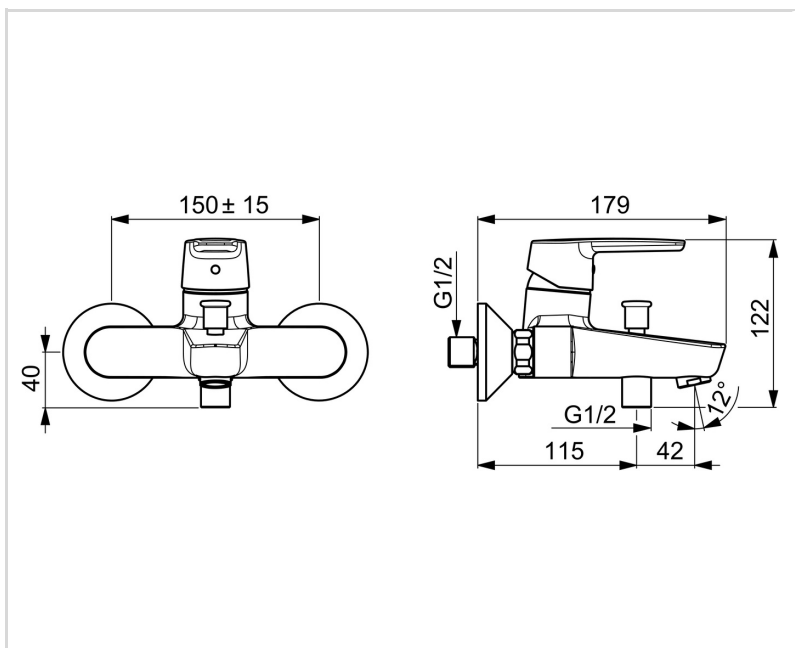
|             |                         |
|-------------|-------------------------|
| EN standard | EN 817                  |
| Noise class | II (ISO 3822) Oras lab. |

### APPROVALS AND DECLARATIONS

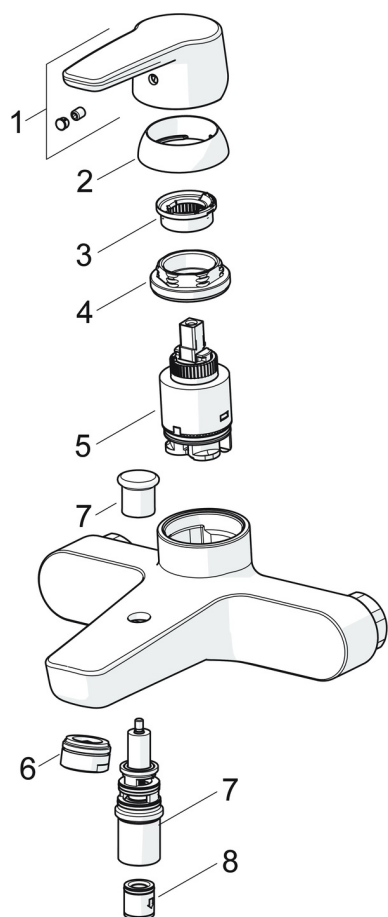
|                           |           |
|---------------------------|-----------|
| KIWA SE                   | 1446      |
| Declaration of conformity | DoC       |
| EPD                       | S-P-06397 |

### SUSTAINABILITY

|                               |         |
|-------------------------------|---------|
| EPD module A1-A3 (kg CO2 eq.) | 12,12   |
| EPD module A4 (kg CO2 eq.)    | 0,43    |
| EPD module B7 (kg CO2 eq.)    | 3481,49 |
| EPD module C2 (kg CO2 eq.)    | 0,02    |
| EPD module C3 (kg CO2 eq.)    | 0,02    |
| EPD module C4 (kg CO2 eq.)    | 0,86    |
| EPD module D (kg CO2 eq.)     | -7,69   |



**SPARE PARTS**



**SP3940**

| Name  | Code     |
|---|----------|
| 01 Lever Chrome                                   | 1000801V |
| 02 Covering cap Chrome                            | 601967V  |
| 03 Temperature adjustment limiter<br>Discontinued | 601973V  |
| 04 Tightening nut, M40x1, SW30                    | 1003409V |
| 05 Cartridge, 3.5 Classic                         | 601969V  |
| 06 Aerator, M24x1 D Chrome<br>Discontinued        | 602104V  |
| 07 Diverter Chrome                                | 602103V  |
| 08 Non-return valve                               | 601989V  |