

- Technical valves

TECHNICAL DATA

TECHNICAL PROPERTIES

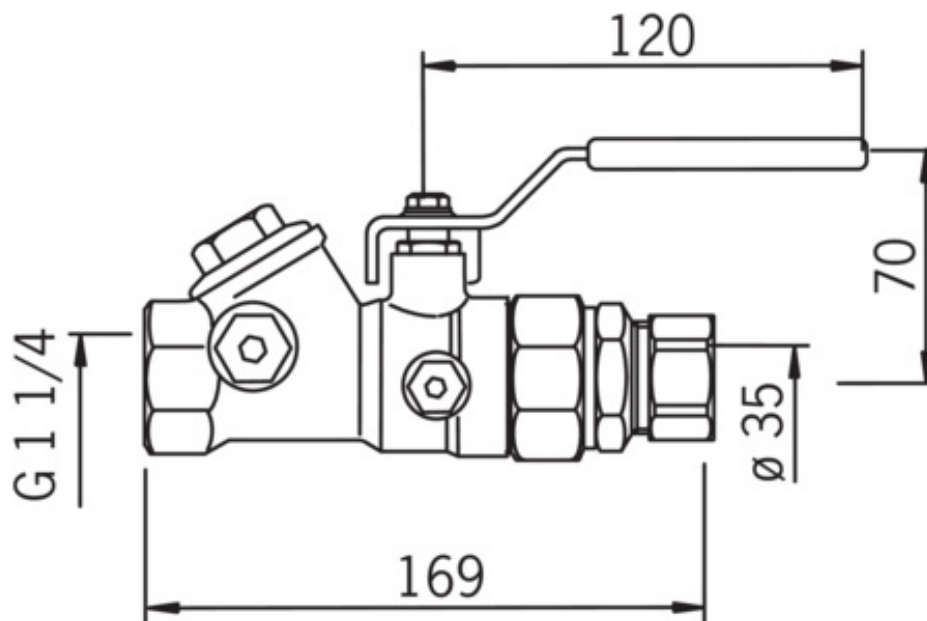
DN-size (nominal dimension)	DN32
Material	Brass

APPROVALS AND DECLARATIONS

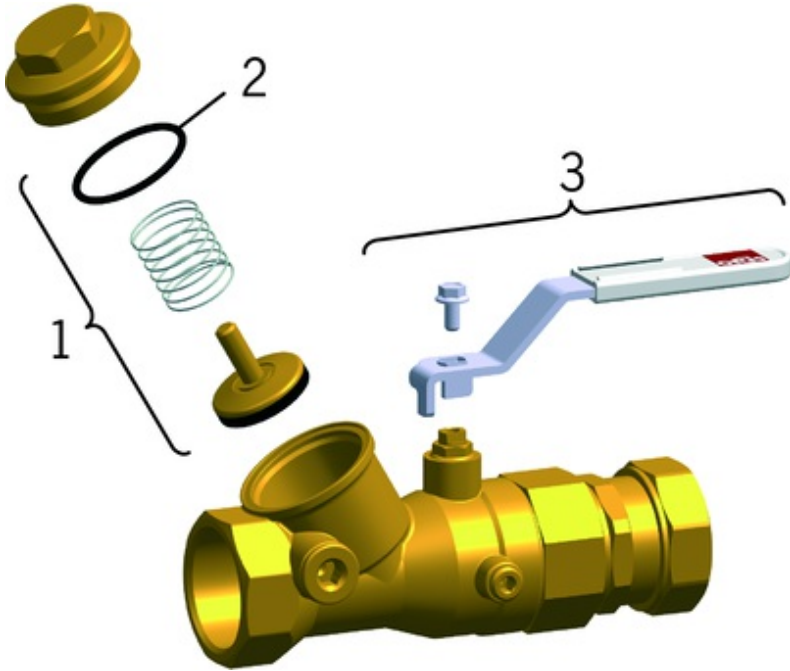
EPD	EPD-IES-0021144
-----	-----------------

SUSTAINABILITY

EPD module A1-A3 (kg CO2 eq.)	12,28
EPD module A4 (kg CO2 eq.)	0,41
EPD module C2 (kg CO2 eq.)	0,02
EPD module C3 (kg CO2 eq.)	0,01
EPD module C4 (kg CO2 eq.)	0,01
EPD module D (kg CO2 eq.)	-3,17



SPARE PARTS



SP4130

	Name	Code
01	Plate full, DN40	418386V
01	Plate full, DN32	418385V
01	Plate full, DN25	418384V
01	Plate full, DN20	418383V
01	Plate full, DN15, d 18	418382V
01	Plate full, DN50	418387V
02	O-ring, 53.64x2.62, DN50 Discontinued	418347/10
02	O-ring, 44.12x2.62, DN40 Discontinued	418346/10
02	O-ring, 36.17x2.62, DN32 Discontinued	418345/10
02	O-ring, 29.87x1.78, DN25 Discontinued	418344/10
02	O-ring, 19.1x1.6, DN15 Discontinued	418342/10
02	O-ring, 23.52x1.78, DN20	418343/10
03	Handle, DN8-15	418596V
03	Handle	418597V
03	Handle, DN32-40 / DN40-50	418598V