



420 ORAS HYDRACTIVA DIGITAL SHOWER SET, BLUETOOTH

SELF-POWERED, BLUETOOTH®

EAN: 6414150103506 static.oras.com/420

Oras Hydractiva Digital shower set including digital hand shower with limescale protection technology, adjustable max 720 mm shower rail, wall bracket and a 1750 mm shower hose.

Digital hand shower is designed to help you save water – with little effort.

Save up to 22% in water and energy consumption with Oras Hydractiva Digital hand shower. By connecting the hand shower to the Digital Hand Shower App, you can set water consumption goals, receive data on your long-term usage, and to access tips on saving water.

- Integrated display provides insights on total water and energy consumptions
- Powered by water flow – no batteries required
- Simple to attach – fits to all standard showers

- Wall mounted
- Chrome
- Hand shower, Shower rail, Adjustable shower rail bracket, Soap dish, Shower holder, Anti limescale technology (easy to clean), Shower hose (1750 mm)
- Sensitive – Gentle water stream
- Light indicated function(s)
- Display with real time feedback about the water and energy consumption.
- 1 spray function



TECHNICAL DATA

FLOW PROPERTIES

Flow-rate at 300 kPa (with flow controller) **0.22 l/s**

TECHNICAL PROPERTIES

Hot water supply **max. +65°C**
Working pressure **50 - 500 kPa**
Diameter **Ø 22 mm**
Installation width **max 720 mm**
Length / Height **764 mm**

ELECTRONIC PROPERTIES

Bluetooth version **4.x (D054404)**

REGULATIONS

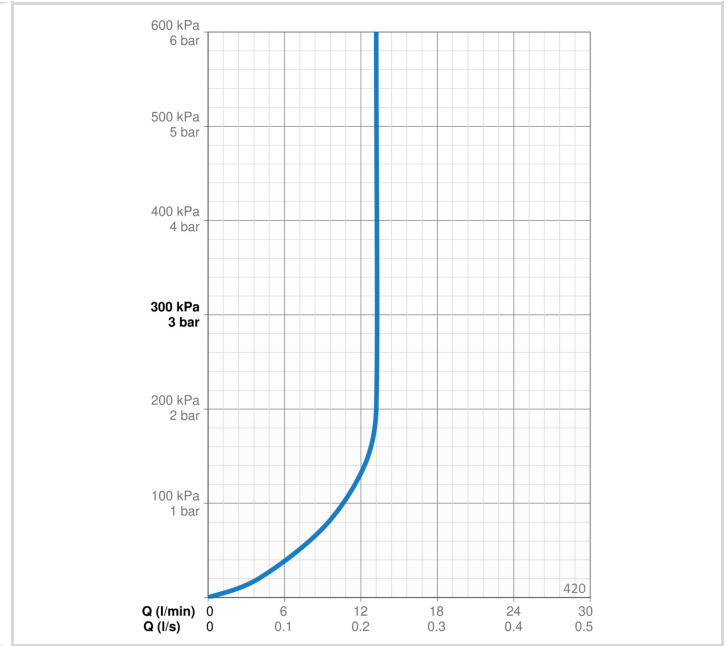
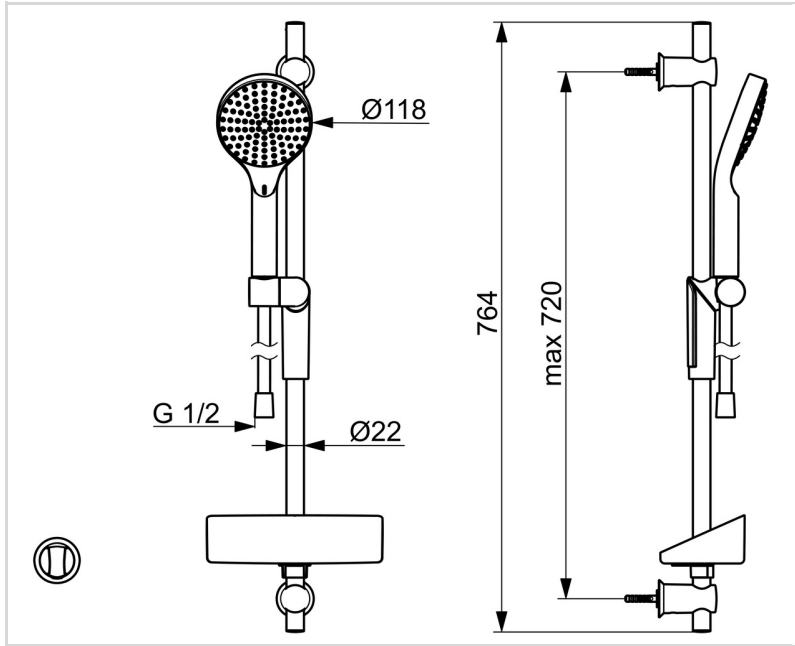
EU Directives **CE Radio Equipment Directive 2014/53/EU , Low Voltage Directive 2014/35/EU , EMC Directive 2014/30/EU , RoHS Directive 2011/65/EU**
EN standard **EN 1112 ,ETSI EN 301 489-1 V1.9.2 , ETSI EN 300 328 v2.2.2 , EN 61000-6-1:2007 , EN 61000-6-3:2007+A1:2011+AC:2012 , EN 60335-1:2012+A11+A13+A14+A15:2021, Part 19.11.4**
Protection class **IP X7**

APPROVALS AND DECLARATIONS

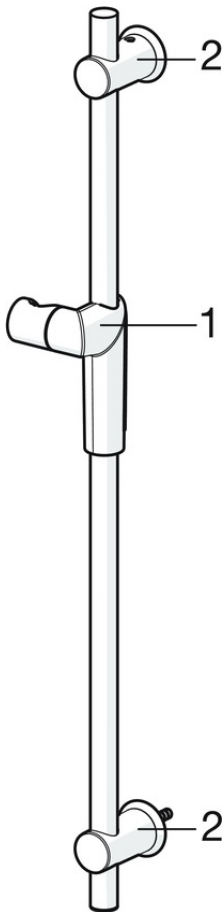
Declaration of conformity **RED**
EPD **S-P-06395**

SUSTAINABILITY

EPD module A1-A3 (kg CO2 eq.) **10,19**
EPD module A4 (kg CO2 eq.) **0,42**
EPD module B7 (kg CO2 eq.) **2321,00**
EPD module C1 (kg CO2 eq.) **0,01**
EPD module C2 (kg CO2 eq.) **0,02**
EPD module C3 (kg CO2 eq.) **1,96**
EPD module C4 (kg CO2 eq.) **0,47**
EPD module D (kg CO2 eq.) **-3,52**



SPARE PARTS



SP2790

	Name	Code
01	Slide for shower rail Chrome	601457V
02	Wall bracket Chrome	601459V