



Garden valve DN 15 ø Cu 15 Recommendation for dimensioning 0.2 l/s/160 kPa

- Wall mounted
- Vacuum breaker
- One inlet for cold or premixed water

TECHNICAL DATA

TECHNICAL PROPERTIES

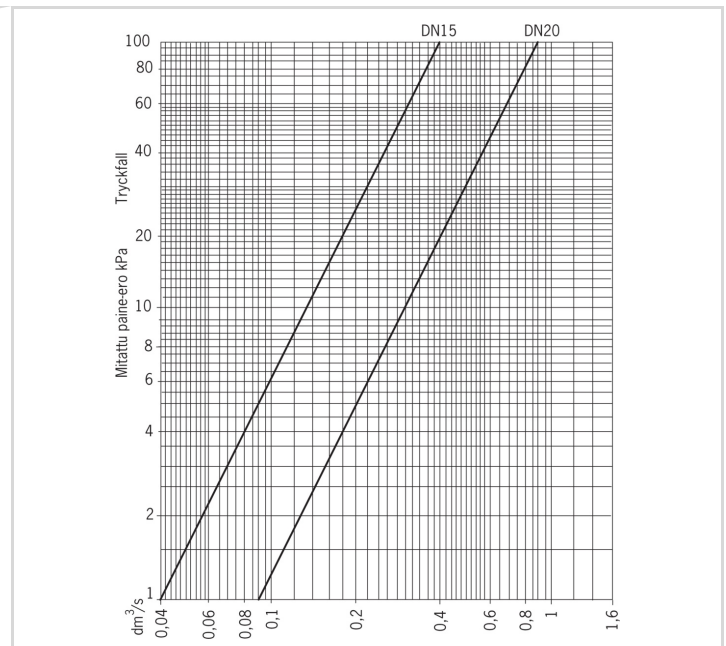
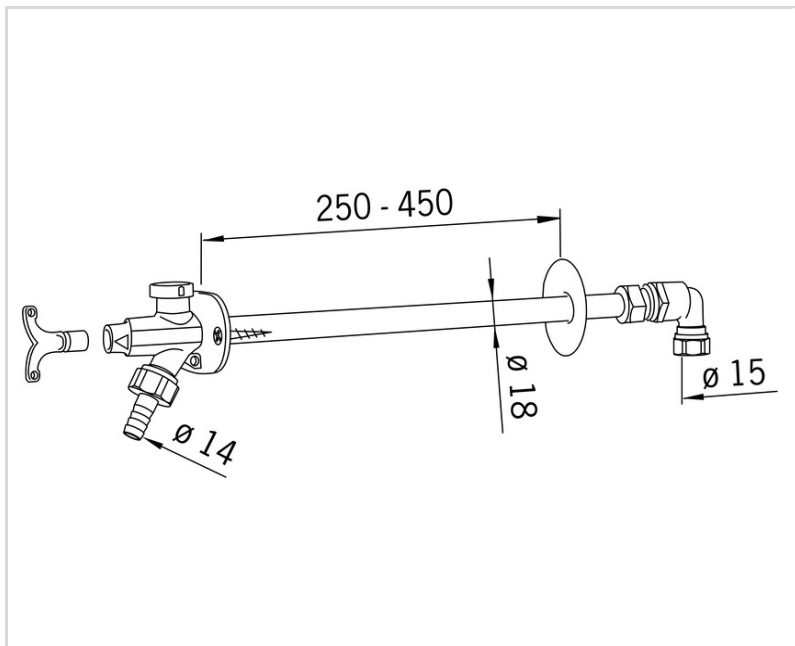
| | |
|-----------------------------|----------------------|
| DN-size (nominal dimension) | DN15 |
| Hot water supply | max. +80°C |
| Working pressure | 50 - 1000 kPa |
| Material | Brass |

APPROVALS AND DECLARATIONS

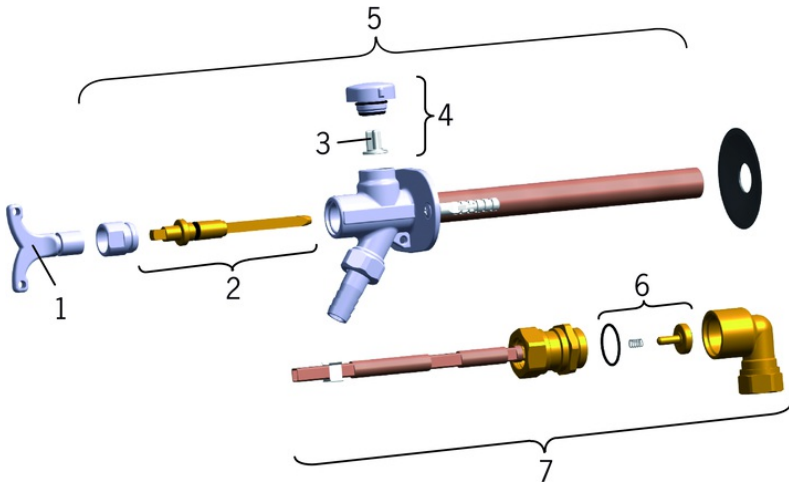
| | |
|-----------------|----------------------------|
| STF certificate | EUFI29-22000144-TH4 |
| EPD | S-P-07816 |

SUSTAINABILITY

| | |
|-------------------------------|--------------|
| EPD module A1-A3 (kg CO2 eq.) | 4,86 |
| EPD module A4 (kg CO2 eq.) | 0,13 |
| EPD module C2 (kg CO2 eq.) | 0,01 |
| EPD module C3 (kg CO2 eq.) | 0,01 |
| EPD module C4 (kg CO2 eq.) | 0,06 |
| EPD module D (kg CO2 eq.) | -3,54 |



SPARE PARTS



SP431015

| | Name | Code |
|----|-------------------------|-------------|
| 01 | Key | 438126 |
| 02 | Outer spindle, DN15 | 438091 |
| 02 | Outer spindle, DN15 | 438084 |
| 03 | Vacuum valve head | 438124 |
| 04 | Vacuum breaker | 438090 |
| 05 | Outer body Discontinued | 438083 |
| 05 | Outer body, DN15 | 438093 |
| 06 | Plate full, DN15 | 438281V |
| 07 | Inner body Discontinued | 438092V-25 |
| 07 | Inner body, DN15 | 438092 |