

Garden valve, non-freezing L = 250 - 450 mm DN 20 G 3/4 Recommendation for dimensioning 0.4 l/s/160 kPa

- Wall mounted
- Vacuum breaker
- One inlet for cold or premixed water
- Frost proof

TECHNICAL DATA

TECHNICAL PROPERTIES

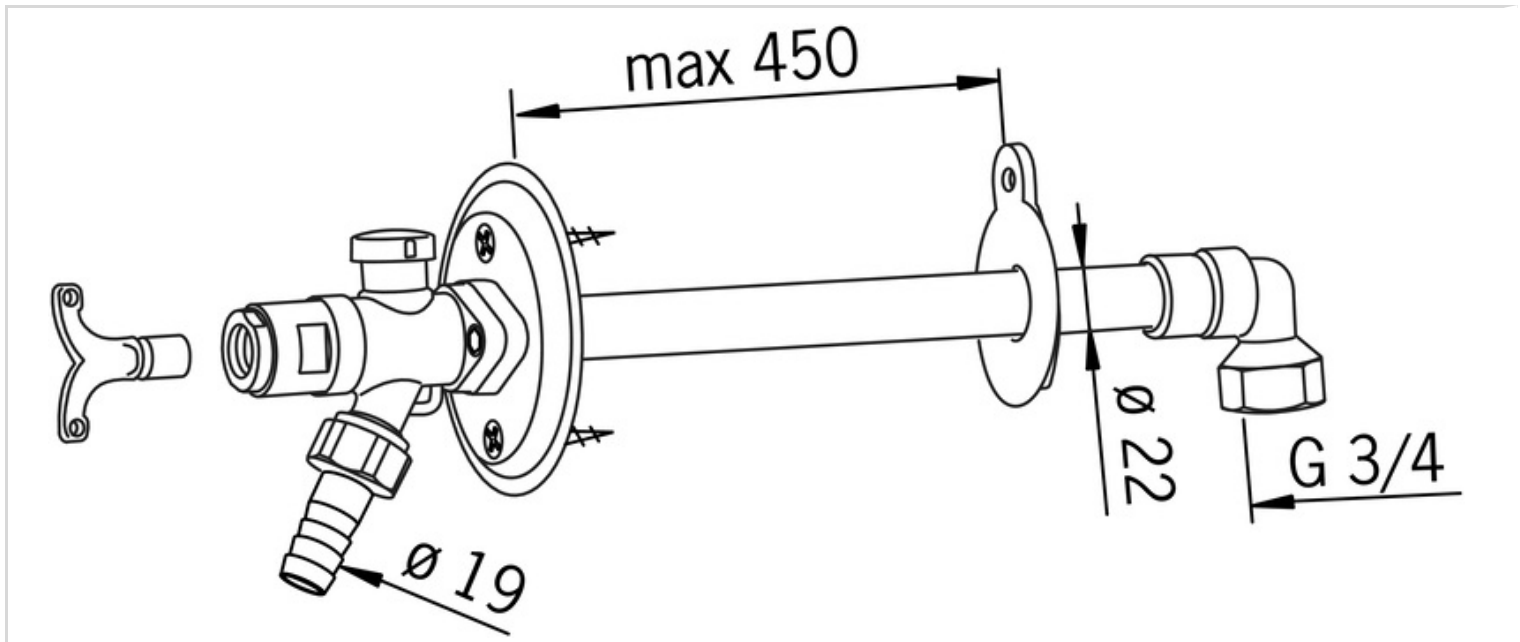
| | |
|-----------------------------|---------------|
| DN-size (nominal dimension) | DN20 |
| Hot water supply | max. +80°C |
| Working pressure | 50 - 1000 kPa |
| Connection size | G3/4 |
| Length / Height | 450 mm |
| Material | Brass |

APPROVALS AND DECLARATIONS

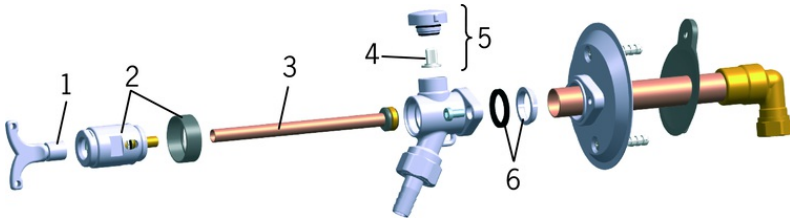
| | |
|-----------------|---------------------|
| STF certificate | EUF129-22000144-TH4 |
| EPD | S-P-07816 |

SUSTAINABILITY

| | |
|-------------------------------|-------|
| EPD module A1-A3 (kg CO2 eq.) | 6,29 |
| EPD module A4 (kg CO2 eq.) | 0,17 |
| EPD module C2 (kg CO2 eq.) | 0,01 |
| EPD module C3 (kg CO2 eq.) | 0,01 |
| EPD module C4 (kg CO2 eq.) | 0,08 |
| EPD module D (kg CO2 eq.) | -4,58 |



SPARE PARTS



SP431415

| | Name | Code |
|----|-------------------------------|---------|
| 01 | Key | 438126 |
| 02 | Emptying valve | 438382V |
| 03 | Inside spindle, 450 mm | 438383V |
| 03 | Inside spindle, long, 1000 mm | 438386V |
| 04 | Vacuum valve head | 438124 |
| 05 | Vacuum breaker | 438090 |
| 06 | Retainer bushing | 438361V |