

- Wall mounted
- Chrome
- One inlet for cold or premixed water

TECHNICAL DATA

TECHNICAL PROPERTIES

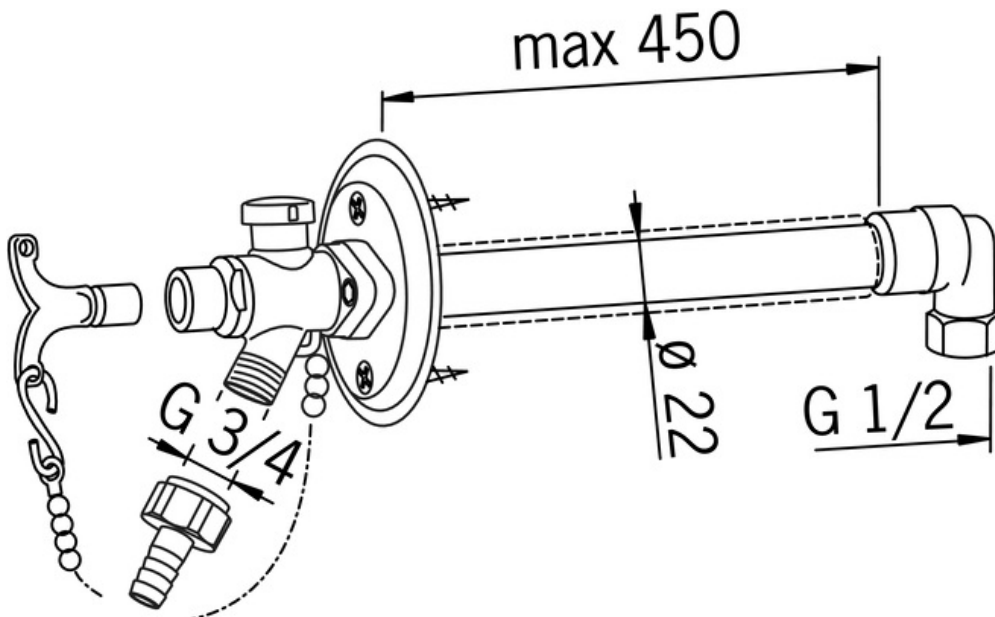
Hot water supply	max. +80°C
Working pressure	50 - 1000 kPa
Material	Brass

APPROVALS AND DECLARATIONS

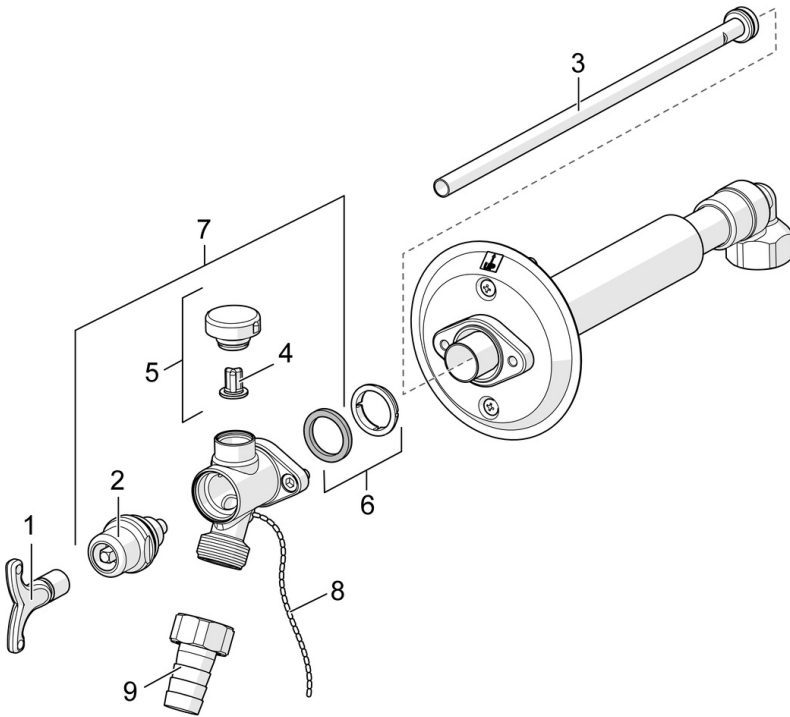
EPD	S-P-07816
-----	-----------

SUSTAINABILITY

EPD module A1-A3 (kg CO2 eq.)	6,34
EPD module A4 (kg CO2 eq.)	0,18
EPD module C2 (kg CO2 eq.)	0,01
EPD module C3 (kg CO2 eq.)	0,01
EPD module C4 (kg CO2 eq.)	0,08
EPD module D (kg CO2 eq.)	-4,62



SPARE PARTS



SP431716

	Name	Code
01	Key	438126
02	Bushing	438358V
03	Inside spindle	438380V
04	Vacuum valve head	438124
05	Vacuum breaker	438090
06	Retainer bushing	438361V
07	Outer body	438390V
08	Chain	438367V
09	Hose coupling Chrome Discontinued	223014