



Oras Aurelia A Harmony of Simplicity and Elegance.

The design of Oras Aurelia is characterized by pure, fluid shapes—timeless in their simplicity yet subtly complex in execution. This results in a delicate dance between the straightforward and the intricate, visually capturing nature's own balance.

Stand beneath the cascading water to experience a symphony of sensations, as clever design ensures efficient water distribution, embracing the complete body in refreshing and rejuvenating comfort.

Elevate your daily ritual with Oras Aurelia, where every drop becomes a celebration of inherent beauty.

1-spray, 250x250 overhead shower
1-spray stick hand shower
1750mm hose

ELEVATING YOUR MOMENTS

- Wall mounted
- Brushed bronze
- Temperature control handle, Flow control handle, Hot/Cold symbols, Eco feature for water flow
- Hand shower, Swivel overhead shower, Lockable in the middle position, Rotatable ball joint connection, Shower rail, Variable fixing points, Adjustable shower rail bracket, Anti limescale technology (easy to clean), Shower hose (1750 mm), Twist guard for shower hose
- Normal - Even and soft water stream
- Safety stop against scalding at 38°C, The housing of the fittings conducts minimal heat
- Ceramic head part for flow control, Thermostatic cartridge for automatic temperature control, Non-return valve(s), Litter filter(s)
- Direct connection, Internal thread, Cover plate(s)
- Flexible length / can be shortened, Anti-twist hose connector
- 1 spray function

TECHNICAL DATA

FLOW PROPERTIES

Eco-flow at 300 kPa	0.12 l/s
Flow-rate at 300 kPa	0.13 l/s
Pressure loss with flow (0.2 l/s)	200 kPa

TECHNICAL PROPERTIES

Hot water supply	max. +65°C
Working pressure	100 - 1000 kPa
Connection size	G3/4
Installation width	150 ± 3 mm
Backflow prevention (EN1717)	EB
Material	Brass/Composite

REGULATIONS

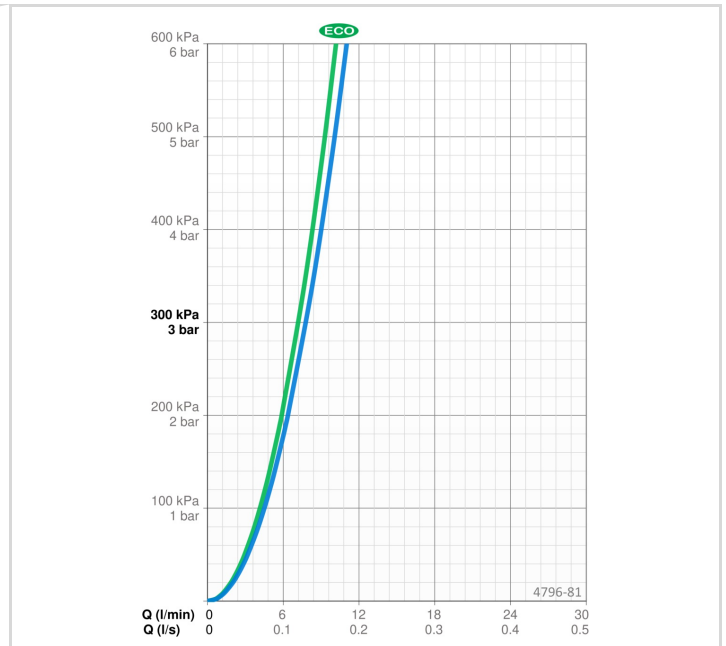
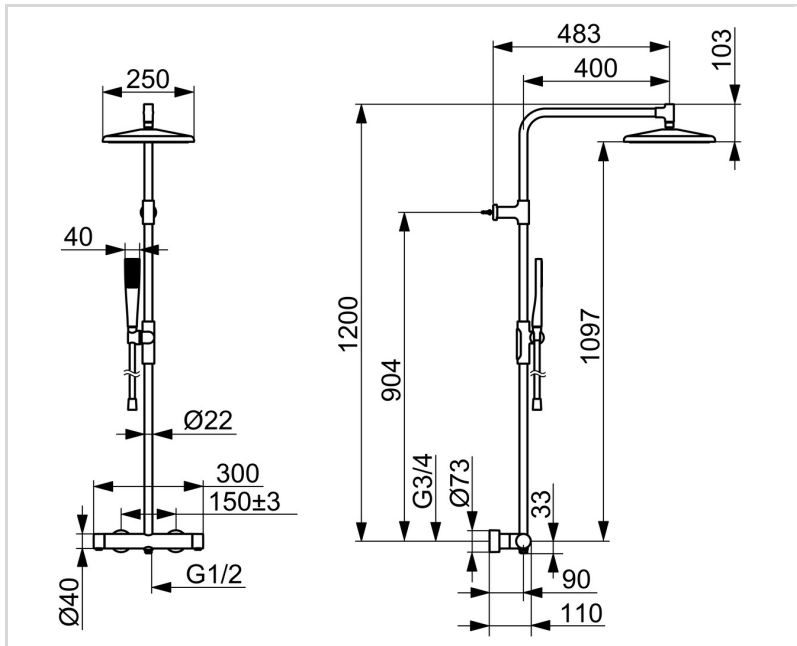
EN standard	EN 1111, EN 1112, EN 1113
Noise class	I (ISO 3822)

APPROVALS AND DECLARATIONS

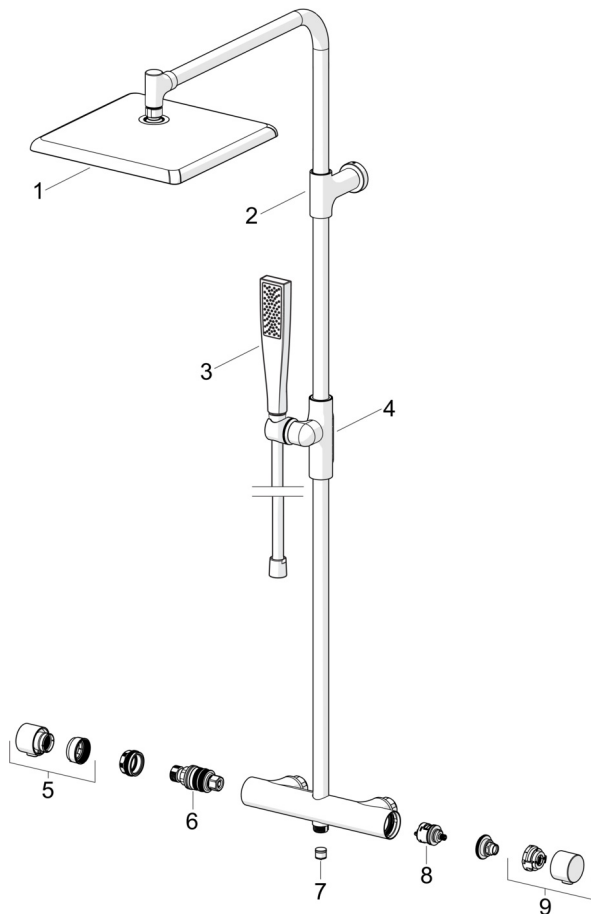
Declaration of conformity	DoC
EPD	S-P-07819

SUSTAINABILITY

EPD module A1-A3 (kg CO2 eq.)	23,15
EPD module A4 (kg CO2 eq.)	0,61
EPD module B7 (kg CO2 eq.)	1389,60
EPD module C2 (kg CO2 eq.)	0,04
EPD module C3 (kg CO2 eq.)	0,04
EPD module C4 (kg CO2 eq.)	1,27
EPD module D (kg CO2 eq.)	-15,13



SPARE PARTS



SP4796CLR

	Name	Code
01	Overhead shower, 250x250 mm Matt black	1019738V-33
01	Overhead shower, 250x250 mm Brushed steel	1019738V-80
01	Overhead shower, 250x250 mm Brushed bronze	1019738V-81
02	Wall bracket Matt black	1019745V-33
02	Wall bracket Brushed steel	1019745V-80
02	Wall bracket Brushed bronze	1019745V-81
03	Hand shower Matt black	1019744V-33
03	Hand shower Brushed steel	1019744V-80
03	Hand shower Brushed bronze	1019744V-81
04	Slide for shower rail Matt black	1018479V-33
04	Slide for shower rail Brushed steel	1018479V-80
04	Slide for shower rail Brushed bronze	1018479V-81
05	Temperature control handle Matt black	1018476V-33
05	Temperature control handle Brushed steel	1018476V-80
05	Temperature control handle Brushed bronze	1018476V-81
06	Thermostatic cartridge	178780V
07	Non-return valve, DW15/DN10K	1018484V
08	Diverter	198282V
09	Flow control handle Matt black	1018477V-33
09	Flow control handle Brushed steel	1018477V-80
09	Flow control handle Brushed bronze	1018477V-81