



4814FZ-104 ORAS STELA ECO+ WASHBASIN FAUCET, 3 V, BLUETOOTH

TOUCHLESS, BATTERY-OPERATED, BLUETOOTH®

EAN: 6414150100345 static.oras.com/4814FZ-104

Touchless washbasin faucet, designed with the latest technology for a smart and seamless experience. This deck-mounted faucet features a touchless operation and Bluetooth® connectivity, allowing for easy control via the app. The temperature control handle offers precise water temperature adjustments, while touchless faucets are proven to reduce water consumption by up to 50%, making it an eco-friendly choice. The inner body is made of corrosion resistant brass, ensuring long-lasting performance. With software settings adjustable via app and convertible for cold or premixed-water supply, this faucet brings sustainability and is perfect for both public and semi-public washrooms. Choose flexibly between three operating modes, Adjust general faucet settings, Schedule automatic cleaning and flush mode. Upgrade to the Stela line for a perfect balance of design and technology.

- ECO Building
- Deck mounted
- Chrome
- Fixed spout, Casted construction
- PCA® - constant flow rate regardless of pressure variations
- Temperature control handle
- Adjustable hot water stop (included, retrofittable)
- Mixing valve for manual temperature control, Non-return valve(s)
- Advanced PSD sensor, Solenoid valve, Light indicated function(s), Low battery indicator
- Flexible inlet pipes
- Inner body made of DZR brass, Software settings adjustable via App, Convertible for cold or premixed-water supply
- Without pop-up waste

TECHNICAL DATA

FLOW PROPERTIES

Flow-rate at 300 kPa (with flow controller) **0.056 l/s**

TECHNICAL PROPERTIES

Hot water supply **max. +70°C**
Working pressure **100 - 1000 kPa**
Connection size **G3/8**
Projection **105 mm**
Backflow prevention (EN1717) **AA**
Material **Brass**

SOFTWARE SETTINGS

Afterflow period **3 s (1-20 s)**
Automatic flush **off (off/1-120 h)**
Automatic flush period **30 s (1-1800 s)**
Max. flow period **2 min (1 - 1800 s)**

ELECTRONIC PROPERTIES

Electrical Connection **9 V**
Battery **AA 1.5 V Lithium x 2**
Bluetooth version **5.x (D060576)**

REGULATIONS

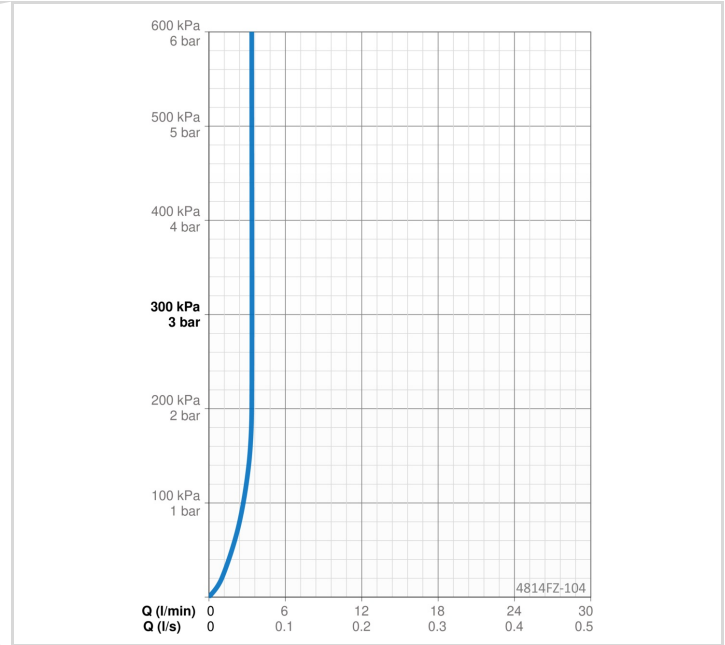
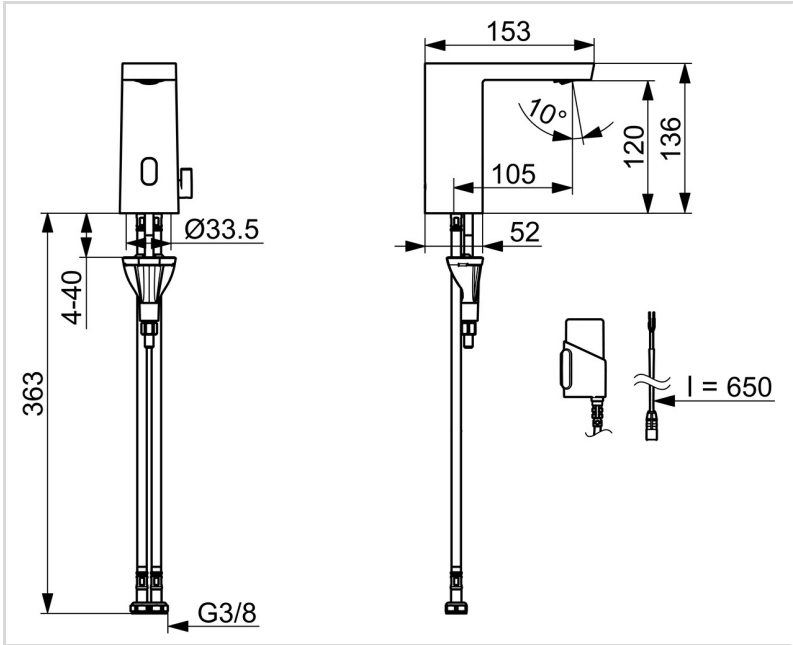
EU Directives **CE Radio Equipment Directive 2014/53/EU , Low Voltage Directive 2014/35/EU , EMC Directive 2014/30/EU , RoHS Directive 2011/65/EU**
EN standard **EN 15091, ETSI EN 301 489-1 V1.9.2 , ETSI EN 300 328 v2.2.2, EN 18031-1, EN 61000-6-1:2007 , EN 61000-6-3:2007+A1:2011+AC:2012 , EN 60335-1:2012+A11+A13+A14+A15:2021, Part 19.11.4**
Noise class **I (ISO 3822) Oras lab.**
Protection class **IP 55**

APPROVALS AND DECLARATIONS

STF certificate	EUFI29-24004569-TH
KIWA SE	1886
UN38.3	UN38-3 Maxell 2CR5
Declaration of conformity	RED
EPD	S-P-06394

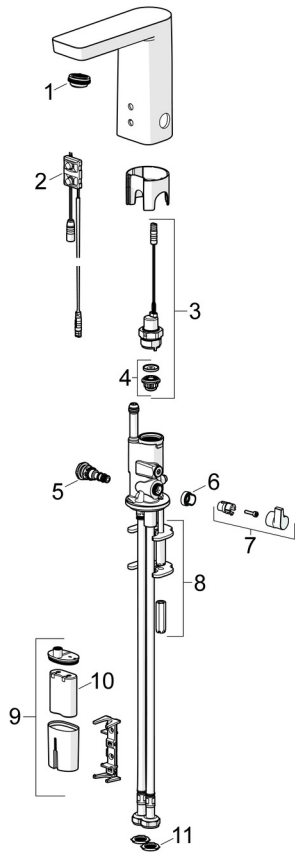
SUSTAINABILITY

EPD module A1-A3 (kg CO2 eq.)	12,98
EPD module A4 (kg CO2 eq.)	0,52
EPD module B7 (kg CO2 eq.)	240,80
EPD module C2 (kg CO2 eq.)	0,03
EPD module C3 (kg CO2 eq.)	0,03
EPD module C4 (kg CO2 eq.)	0,34
EPD module D (kg CO2 eq.)	-9,40

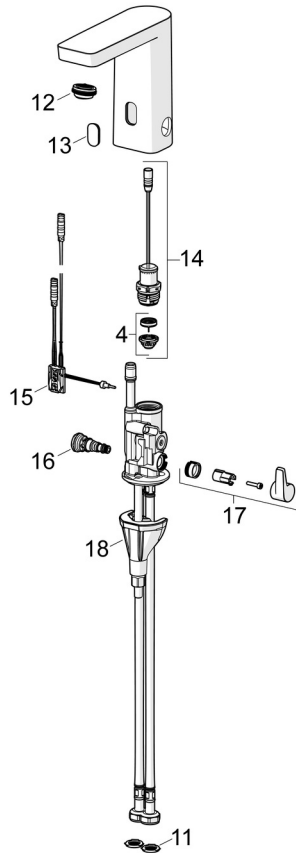


SPARE PARTS

< 9/2024



9/2024 >



SP4814FZ-GB

	Name	Code
01	Aerator, STD M24x1 HC PCA 3.8 l/min	1013541V
01	Aerator, STD M24x1 HC PCA 4.6 l/min	1013547V
02	Sensor, 6/9/12 V, Bluetooth	1001424V
03	Solenoid valve, 6 V	199206V
04	Membrane for solenoid valve	1006500V
05	Temperature regulator	199201V
06	Limiter	601061V
07	Temperature control handle Chrome	601877V
08	Fixing plates with nuts	158697
09	Battery casing, 2CR5 6 V	199417V
10	Lithium battery, 2CR5 6 V	198330
11	Filter sealing	1007900V
12	Aerator, STD M24x1 HC PCA 5.7 l/min	1013801V
13	Window	1012249V
14	Solenoid valve complete, 3 V	601307V
15	Sensor, 3/9 V, Bluetooth	1015155V
16	Temperature regulator	1000580V
17	Temperature control handle Chrome	1016154V
18	Fixing set	602610V