



4814FZ ORAS STELA ECO+ WASHBASIN FAUCET, 3 V, BLUETOOTH

TOUCHLESS, BLUETOOTH®, BATTERY-OPERATED

EAN: 6414150097089 static.oras.com/4814FZ

Touchless washbasin faucet, designed with the latest technology for a smart and seamless experience. This deck-mounted faucet features a touchless operation and Bluetooth® connectivity, allowing for easy control via the app. The temperature control handle offers precise water temperature adjustments, while touchless faucets are proven to reduce water consumption by up to 50%, making it an eco-friendly choice. The inner body is made of corrosion resistant brass, ensuring long-lasting performance. With software settings adjustable via app and convertible for cold or premixed-water supply, this faucet brings sustainability and is perfect for both public and semi-public washrooms. Choose flexibly between three operating modes, Adjust general faucet settings, Schedule automatic cleaning and flush mode. Upgrade to the Stela line for a perfect balance of design and technology.

- Deck mounted
- Chrome
- Fixed spout, Casted construction
- Hidden aerator, PCA® - constant flow rate regardless of pressure variations, Adjustable flow angle
- Temperature control handle
- Adjustable hot water stop (included, retrofittable)
- Mixing valve for manual temperature control, Non-return valve(s), Litter filter(s)
- Advanced PSD sensor, Solenoid valve, Light indicated function(s), Low battery indicator
- Flexible inlet pipes
- Inner body made of DZR brass, Software settings adjustable via App, Convertible for cold or premixed-water supply
- Without pop-up waste

TECHNICAL DATA

FLOW PROPERTIES

Flow-rate at 300 kPa (with flow controller)	0.1 l/s
Pressure loss with flow (0.1 l/s)	300 kPa

TECHNICAL PROPERTIES

Hot water supply	max. +70°C
Working pressure	100 - 1000 kPa
Connection size	G3/8
Projection	105 mm
Backflow prevention (EN1717)	AA
Material	Brass

SOFTWARE SETTINGS

Afterflow period	3 s (1-20 s)
Automatic flush	off (off/1-120 h)
Automatic flush period	30 s (1-1800 s)
Max. flow period	2 min (1 - 1800 s)

ELECTRONIC PROPERTIES

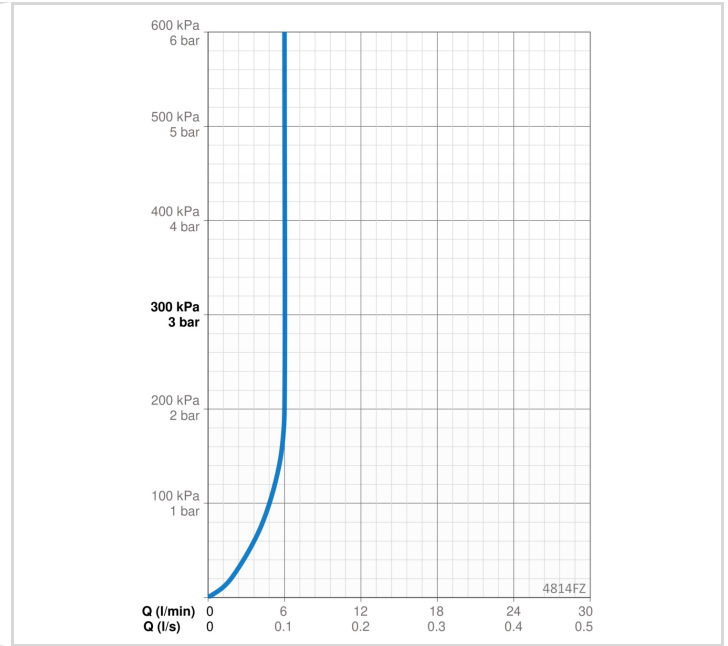
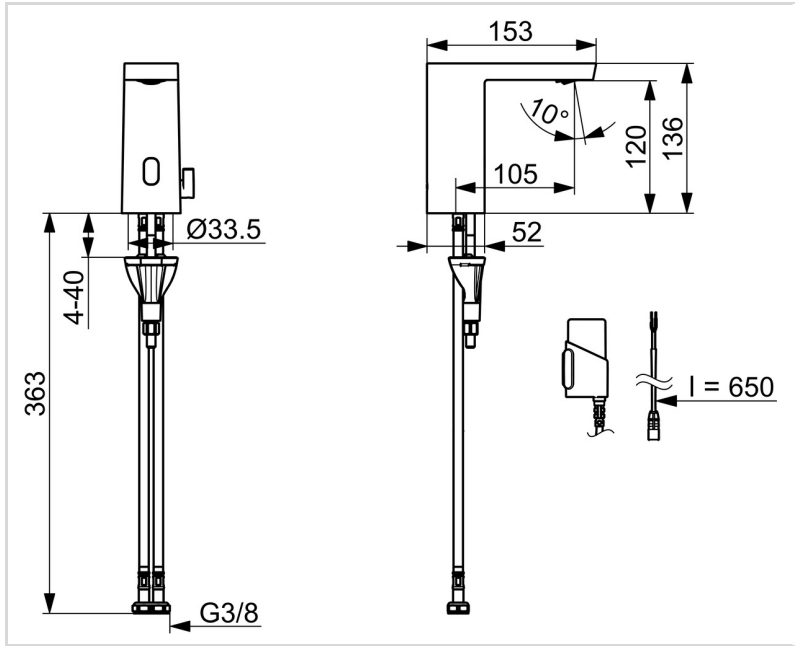
Electrical Connection	9 V
Battery	AA 1.5 V Lithium x 2
Bluetooth version	5.x (D060576)

REGULATIONS

EU Directives	CE Radio Equipment Directive 2014/53/EU , Low Voltage Directive 2014/35/EU , EMC Directive 2014/30/EU , RoHS Directive 2011/65/EU
EN standard	EN 15091, ETSI EN 301 489-1 V1.9.2 , ETSI EN 300 328 v2.2.2, EN 18031-1, EN 61000-6-1:2007 , EN 61000-6-3:2007+A1:2011+AC:2012 , EN 60335-1:2012+A11+A13+A14+A2+A15:2021, Part 19.11.4
Noise class	I (ISO 3822)
Protection class	IP 55

APPROVALS AND DECLARATIONS

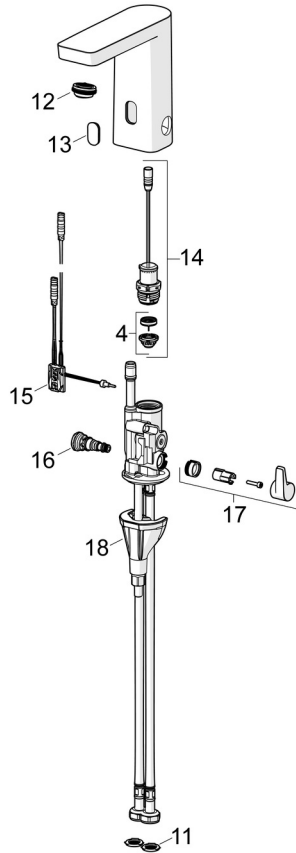
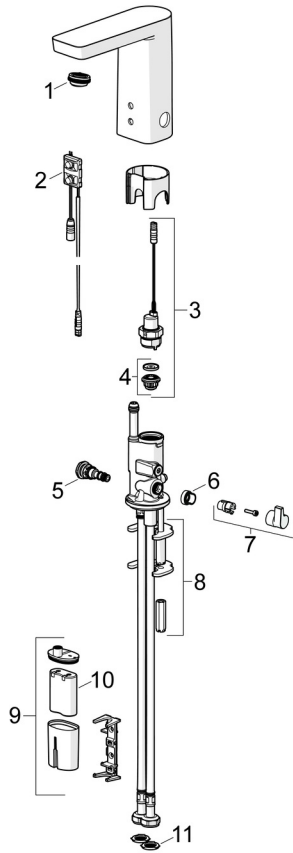
STF certificate	EUF129-24004569-TH
KIWA SE	1886
UN38.3	UN38-3 Maxell 2CR5
Declaration of conformity	RED



SPARE PARTS

< 9/2024

9/2024 >



SP4814FZ

Name	Code
01 Aerator, STD M24x1 HC PCA 5.7 l/min	1013801V
02 Sensor, 6/9/12 V, Bluetooth	1001424V
03 Solenoid valve, 6 V	199206V
04 Membrane for solenoid valve	1006500V
05 Temperature regulator	199201V
06 Limiter	601061V
07 Temperature control handle Chrome	601877V
08 Fixing plates with nuts	158697
09 Battery casing, 2CR5 6 V	199417V
10 Lithium battery, 2CR5 6 V	198330
11 Filter sealing	1007900V
12 Aerator, STD M24x1 HC PCA 7.0 l/min	1019200V
13 Window	1012249V
14 Solenoid valve complete, 3 V	601307V
15 Sensor, 3/9 V, Bluetooth	1015155V
16 Temperature regulator	1000580V
17 Temperature control handle Chrome	1016154V
18 Fixing set	602610V