



# 4816FZ ORAS STELA SAFETY WASHBASIN FAUCET, 3 V, BLUETOOTH

TOUCHLESS, BIDETTA, BATTERY-OPERATED, BLUETOOTH®

EAN: 6414150103353 [static.oras.com/4816FZ](http://static.oras.com/4816FZ)

Touchless washbasin faucet, designed with the latest technology for a smart and seamless experience. This deck-mounted faucet features a touchless operation and Bluetooth® connectivity, allowing for easy control via the app. The temperature control handle offers precise water temperature adjustments, while touchless faucets are proven to reduce water consumption by up to 50%, making it an eco-friendly choice. The bidetta hand shower provides added convenience. The inner body is made of corrosion resistant brass, ensuring long-lasting performance. With software settings adjustable via app and convertible for cold or premixed-water supply, this faucet brings sustainability and is perfect for both public and semi-public washrooms. Choose flexibly between three operating modes, Adjust general faucet settings, Schedule automatic cleaning and flush mode. Upgrade to the Stela line for a perfect balance of design and technology.



- Deck mounted
- Chrome
- Fixed spout, Casted construction
- Hidden aerator, Adjustable flow angle
- Temperature control handle
- Hand shower, Shower holder, Shower hose (1750 mm)
- Remote-operated Smart Bidetta
- Mixing valve for manual temperature control, Non-return valve(s)
- Advanced PSD sensor, Solenoid valve, Low battery indicator
- Flexible inlet pipes
- 3S-installation system for safe and simple mounting, Software settings adjustable via App
- 1 spray function

## TECHNICAL DATA

### FLOW PROPERTIES

Flow-rate at 300 kPa (with flow controller)	0.08 l/s
Pressure loss with flow (0.1 l/s)	435 kPa (70% qv = 213 kPa)

### TECHNICAL PROPERTIES

DN-size (nominal dimension)	DN15
Hot water supply	max. +70°C
Working pressure	100 - 1000 kPa
Connection size	G3/8
Projection	105 mm
Backflow prevention (EN1717)	EB
Material	Brass

### SOFTWARE SETTINGS

Afterflow period	3 s (1-20 s)
Automatic flush	off (off/1-120 h)
Automatic flush period	30 s (1-1800 s)
Max. flow period	2 min (1 - 1800 s)

### ELECTRONIC PROPERTIES

Battery	AA 1.5 V Lithium x 2, CR 2450 3 V
Bluetooth version	5.x (D060576)

### REGULATIONS

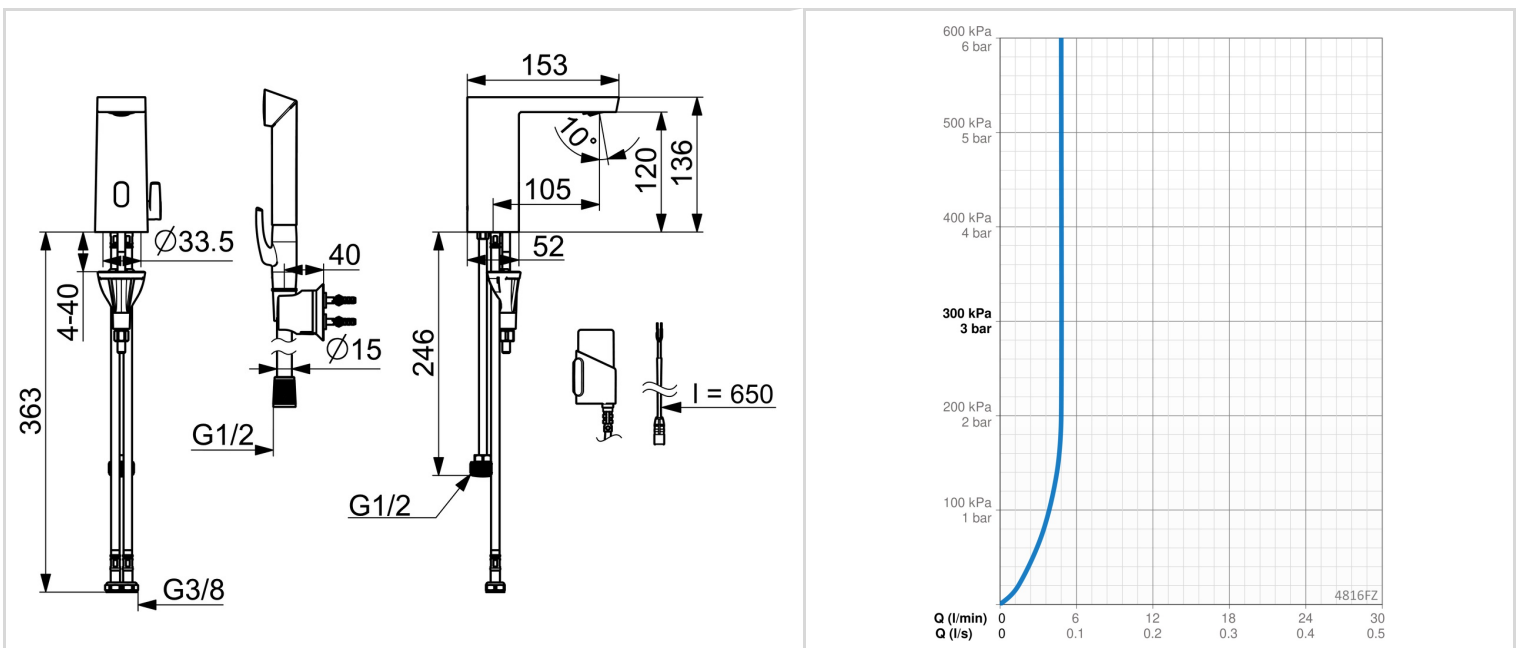
EU Directives	CE Radio Equipment Directive 2014/53/EU , Low Voltage Directive 2014/35/EU , EMC Directive 2014/30/EU , RoHS Directive 2011/65/EU
EN standard	EN 817, EN 15091, ETSI EN 301 489-1 V1.9.2 , ETSI EN 300 328 v2.2.2, EN 18031-1, EN 61000-6-1:2007 , EN 61000-6-3:2007+A1:2011+AC:2012 , EN 60335-1:2012+A11+A13+A14+A15:2021, Part 19.11.4
Noise class	I (ISO 3822)
Protection class	IP 55

**APPROVALS AND DECLARATIONS**

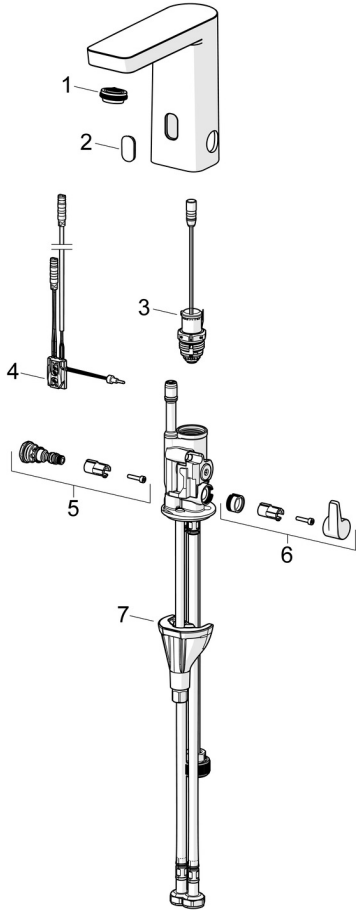
STF certificate	<b>EUFI29-24004569-TH</b>
KIWA SE	<b>1886</b>
Declaration of conformity	<b>RED</b>
EPD	<b>S-P-06394</b>

**SUSTAINABILITY**

EPD module A1-A3 (kg CO2 eq.)	<b>14,47</b>
EPD module A4 (kg CO2 eq.)	<b>0,58</b>
EPD module B7 (kg CO2 eq.)	<b>344,00</b>
EPD module C2 (kg CO2 eq.)	<b>0,03</b>
EPD module C3 (kg CO2 eq.)	<b>0,03</b>
EPD module C4 (kg CO2 eq.)	<b>0,38</b>
EPD module D (kg CO2 eq.)	<b>-10,47</b>



**SPARE PARTS**



**SP4816FZ**

	<b>Name</b>	<b>Code</b>
01	Aerator, STD M24x1 HC PCA 8.0 l/min SSR	1016774V
02	Window	1012249V
03	Solenoid valve complete, 3 V	601307V
04	Sensor, 3/9 V, Bluetooth	1015155V
05	Temperature regulator	1000580V
06	Temperature control handle Chrome	1016154V
07	Fixing set	602610V