



4826FTZ ORAS STELA SAFETY WASHBASIN FAUCET, 230/9 V, BLUETOOTH

TOUCHLESS, BIDETTA, PLUG TRANSFORMER, BLUETOOTH®

EAN: 6414150103384 static.oras.com/4826FTZ

Touchless washbasin faucet, designed with the latest technology for a smart and seamless experience. This deck-mounted faucet features a touchless operation and Bluetooth® connectivity, allowing for easy control via the app. The temperature control handle offers precise water temperature adjustments, while touchless faucets are proven to reduce water consumption by up to 50%, making it an eco-friendly choice. The bidetta hand shower provides added convenience. The inner body is made of corrosion resistant brass, ensuring long-lasting performance. With software settings adjustable via app and convertible for cold or premixed-water supply, this faucet brings sustainability and is perfect for both public and semi-public washrooms. Choose flexibly between three operating modes, Adjust general faucet settings, Schedule automatic cleaning and flush mode. Upgrade to the Stela line for a perfect balance of design and technology.



- Deck mounted
- Chrome
- Fixed spout, Casted construction
- Hidden aerator, Adjustable flow angle
- Temperature control handle
- Hand shower, Shower holder, Shower hose (1750 mm)
- Remote-operated Smart Bidetta
- Mixing valve for manual temperature control
- Advanced PSD sensor, Power supply
- Flexible inlet pipes
- 3S-installation system for safe and simple mounting, Software settings adjustable via App
- 1 spray function

TECHNICAL DATA

FLOW PROPERTIES

Flow-rate at 300 kPa (with flow controller)	0.08 l/s
Pressure loss with flow (0.1 l/s)	435 kPa (70% qv = 213 kPa)

TECHNICAL PROPERTIES

DN-size (nominal dimension)	DN15
Hot water supply	max. +70°C
Working pressure	100 - 1000 kPa
Connection size	G3/8
Projection	105 mm
Backflow prevention (EN1717)	EB
Material	Brass

SOFTWARE SETTINGS

Afterflow period	3 s (1-20 s)
Automatic flush	off (off/1-120 h)
Automatic flush period	30 s (1-1800 s)
Max. flow period	2 min (1 - 1800 s)

ELECTRONIC PROPERTIES

Electrical Connection	230 / 9 V
Bluetooth version	5.x (D060576)

REGULATIONS

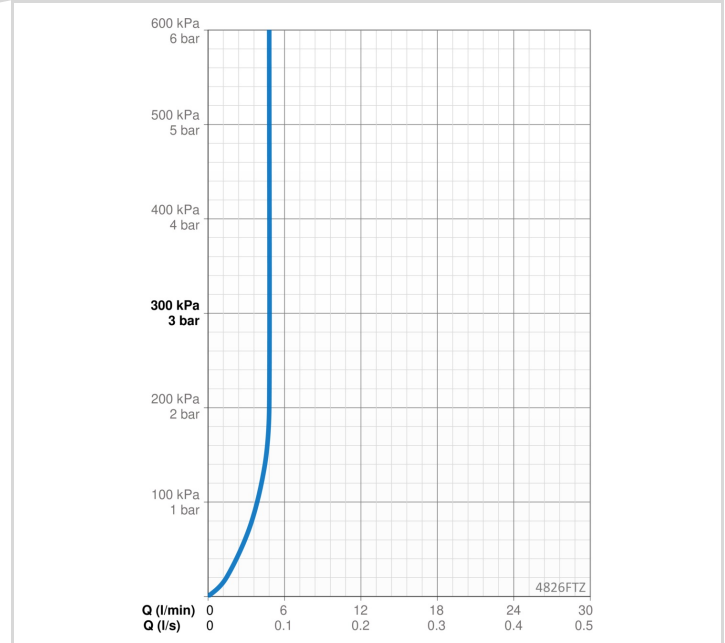
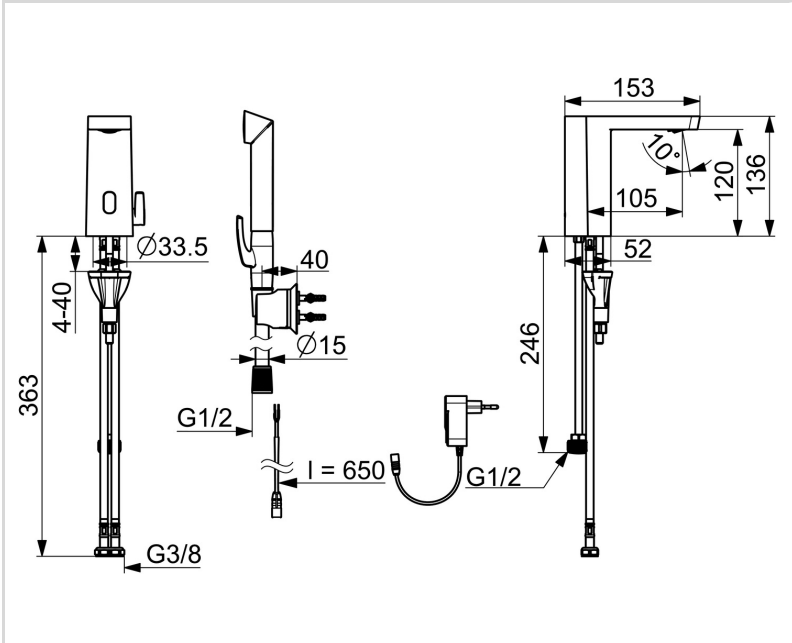
EU Directives	CE Radio Equipment Directive 2014/53/EU , Low Voltage Directive 2014/35/EU , EMC Directive 2014/30/EU , RoHS Directive 2011/65/EU
EN standard	EN 15091, ETSI EN 301 489-1 V1.9.2 , ETSI EN 300 328 v2.2.2, EN 18031-1, EN 61000-6-1:2007 , EN 61000-6-3:2007+A1:2011+AC:2012 , EN 60335-1:2012+A11+A13+A14+A15:2021, Part 19.11.4
Noise class	I (ISO 3822)
Protection class	IP 55

APPROVALS AND DECLARATIONS

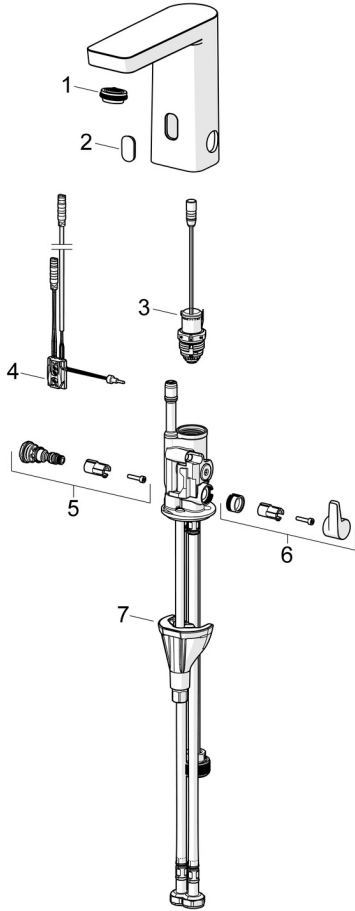
STF certificate	EUFI29-24004569-TH
KIWA SE	1886
Declaration of conformity	RED
EPD	S-P-06394

SUSTAINABILITY

EPD module A1-A3 (kg CO2 eq.)	14,46
EPD module A4 (kg CO2 eq.)	0,58
EPD module B7 (kg CO2 eq.)	344,00
EPD module C2 (kg CO2 eq.)	0,03
EPD module C3 (kg CO2 eq.)	0,03
EPD module C4 (kg CO2 eq.)	0,38
EPD module D (kg CO2 eq.)	-10,46



SPARE PARTS



SP4816FZ

	Name	Code
01	Aerator, STD M24x1 HC PCA 8.0 l/min SSR	1016774V
02	Window	1012249V
03	Solenoid valve complete, 3 V	601307V
04	Sensor, 3/9 V, Bluetooth	1015155V
05	Temperature regulator	1000580V
06	Temperature control handle Chrome	1016154V
07	Fixing set	602610V