



Oras Apollo shower set

including hand shower with limescale protection technology, 650 mm shower rail, soap tray and 1500 mm shower hose.

- Wall mounted
- Chrome
- Hand shower, Shower rail, Adjustable shower rail bracket, Soap dish, Shower hose (1500 mm), Anti limescale technology (easy to clean)
- 1 spray function

## TECHNICAL DATA

### FLOW PROPERTIES

Flow-rate at 300 kPa	0.3 l/s
----------------------	---------

### TECHNICAL PROPERTIES

Hot water supply	max. +65°C
Working pressure	50 - 500 kPa
Connection size	G1/2
Diameter	Ø 18 mm
Installation width	max 650 mm
Length / Height	700 mm
Material	Composite

### REGULATIONS

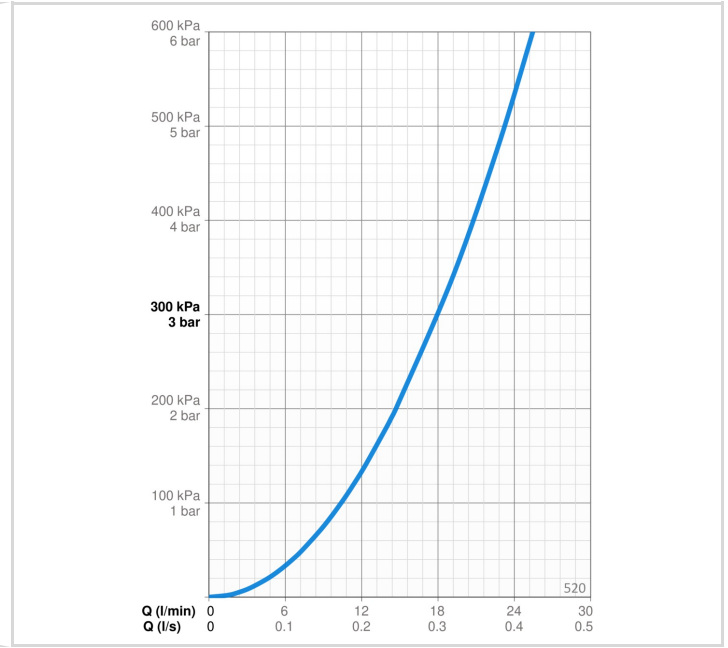
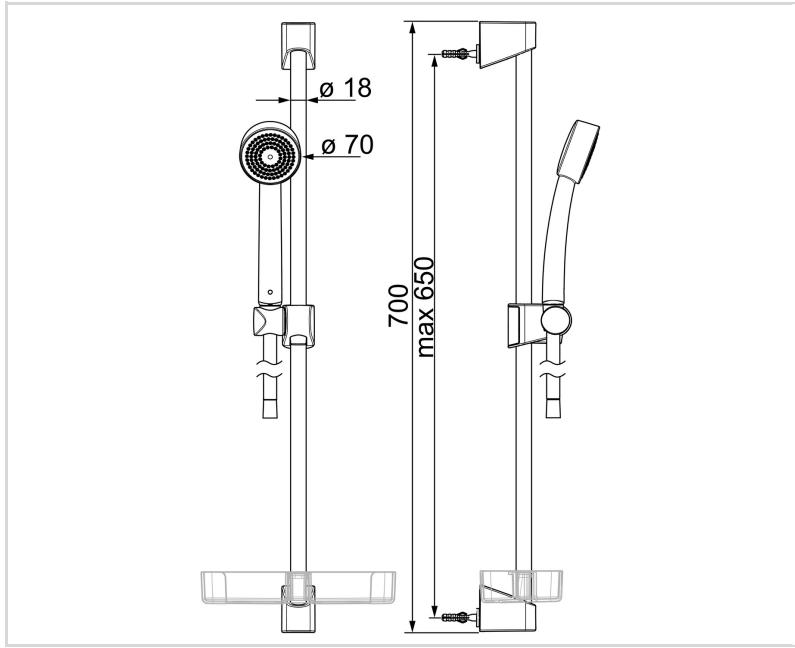
EN standard	EN 1112, EN 1113
-------------	------------------

### APPROVALS AND DECLARATIONS

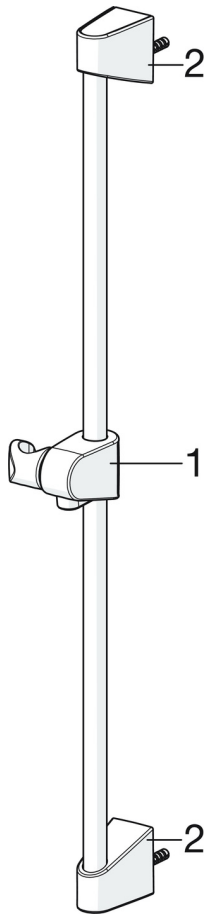
Declaration of conformity	DoC
EPD	S-P-06395

### SUSTAINABILITY

EPD module A1-A3 (kg CO2 eq.)	6,16
EPD module A4 (kg CO2 eq.)	0,25
EPD module B7 (kg CO2 eq.)	3165,00
EPD module C1 (kg CO2 eq.)	0,01
EPD module C2 (kg CO2 eq.)	0,01
EPD module C3 (kg CO2 eq.)	1,18
EPD module C4 (kg CO2 eq.)	0,28
EPD module D (kg CO2 eq.)	-2,13



**SPARE PARTS**



**SP520**

	<b>Name</b>	<b>Code</b>
01	Slide for shower rail Chrome	601189V
01	Slide for shower rail White	601189V-11
02	Wall bracket Chrome	601208V
02	Wall bracket White Discontinued	601208V-11