



Thermostatic shower faucet with ergonomic flow handles. Temperature handle equipped with safety stop at 38°C. Volume handle with EcoFlow control. The faucet includes litter filters and non-return valves.

- Health & Care
- Wall mounted
- Chrome
- Temperature control handle, Flow control handle, Eco feature for water flow
- The housing of the fittings conducts minimal heat
- Ceramic head part for flow control, Thermostatic cartridge for automatic temperature control, Non-return valve(s), Litter filter(s)
- Direct connection
- Inner body made of DZR brass, Waterways without nickel coating, Thermal disinfection without cartridge readjustment
- Without couplings

TECHNICAL DATA

FLOW PROPERTIES

Flow-rate at 300 kPa	0.26 l/s
----------------------	-----------------

TECHNICAL PROPERTIES

Hot water supply	max. +80°C
Working pressure	100 - 1000 kPa
Connection size	G3/4
Installation width	150 ± 3 mm
Backflow prevention (EN1717)	EB
Material	Brass

REGULATIONS

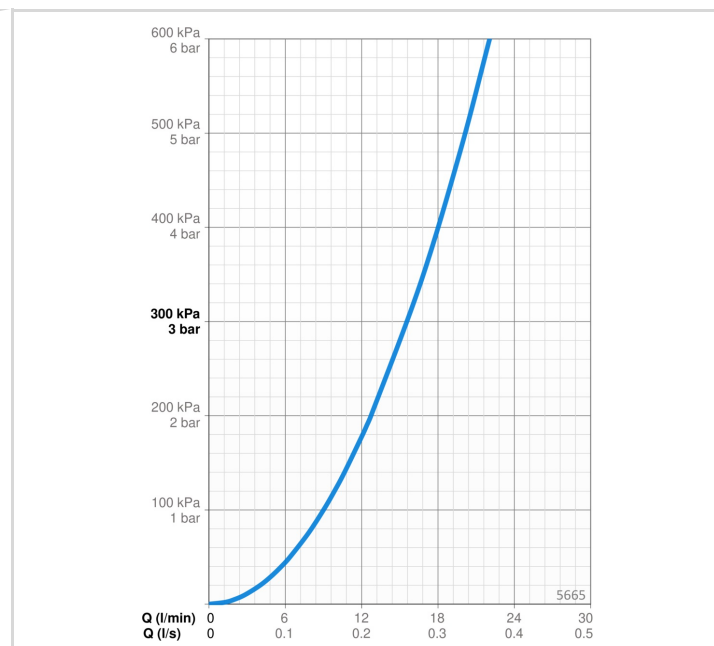
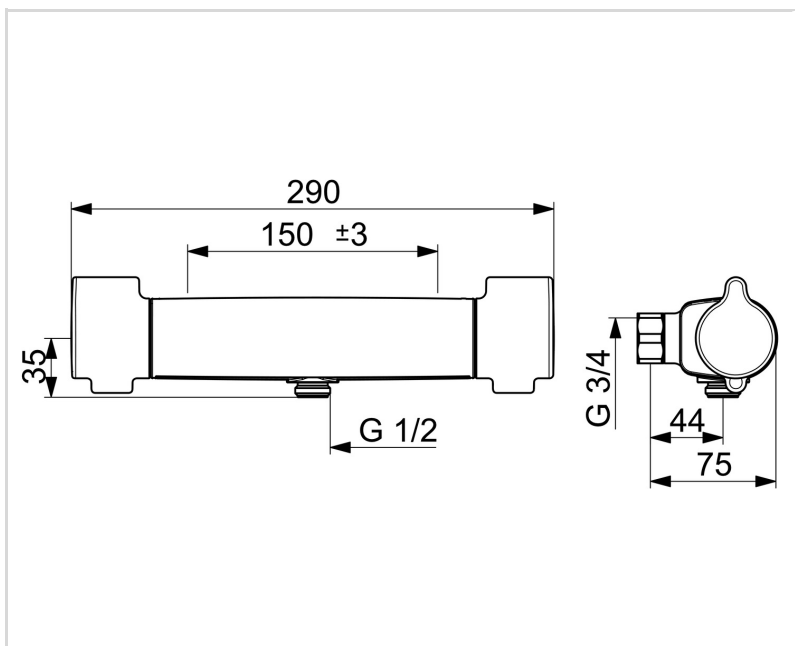
EN standard	EN 1111
Noise class	I (ISO 3822)
Noise class 0.2 l/s	I (ISO 3822)

APPROVALS AND DECLARATIONS

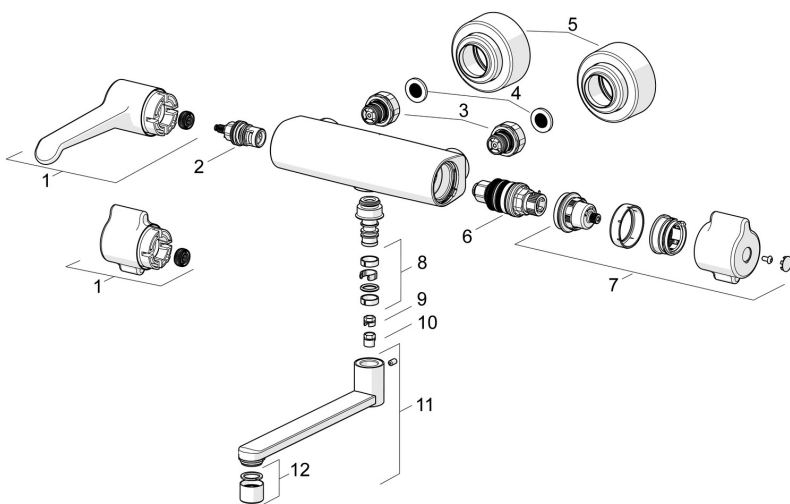
STF certificate	EUFI29-21002857-TH
Sintef	Sintef Nr. 4031
Declaration of conformity	DoC
EPD	S-P-06397

SUSTAINABILITY

EPD module A1-A3 (kg CO2 eq.)	12,09
EPD module A4 (kg CO2 eq.)	0,43
EPD module B7 (kg CO2 eq.)	2742,99
EPD module C2 (kg CO2 eq.)	0,02
EPD module C3 (kg CO2 eq.)	0,02
EPD module C4 (kg CO2 eq.)	0,86
EPD module D (kg CO2 eq.)	-7,67



SPARE PARTS



SP5663

	Name	Code
01	Flow control handle, L=150 mm Chrome	1004311V
01	Flow control handle Chrome	1006423V
02	Headpart Chrome	109898
03	Combiner	602438/2
04	Filter sealing, G3/4, DN20	178375V
05	Cover flange Chrome	1006473V
06	Thermostatic cartridge	178780V
07	Temperature control handle Chrome	1006058V
08	Sealing kit for spout	602707V
09	Limiter, 120°	602499V
10	Spout overturning stopper, 60°/0°	159667V
11	Spout, L=200 Chrome	290017
12	Aerator, M22x1 STD PL HC A Laminar Chrome	1003610V