



# 5676Z ORAS CLINICA SAFETY WASHBASIN FAUCET, 6 V, BLUETOOTH

TOUCHLESS, THERMOSTATIC, BATTERY-OPERATED, BLUETOOTH®

EAN: 6414150098673 [static.oras.com/5676Z](http://static.oras.com/5676Z)



- Health & Care
- Wall mounted
- Chrome
- Temperature control handle
- The housing of the fittings conducts minimal heat
- Thermostatic cartridge for automatic temperature control, Non-return valve(s), Litter filter(s)
- Autofocus infrared sensor, Solenoid valve, Low battery indicator
- Direct connection
- Inner body made of DZR brass, Waterways without nickel coating, Thermal disinfection without cartridge readjustment, Software settings adjustable via App

## TECHNICAL DATA

### FLOW PROPERTIES

Flow-rate at 300 kPa **0.16 l/s**

### TECHNICAL PROPERTIES

Hot water supply **max. +70°C**  
Working pressure **100 - 1000 kPa**  
Connection size **G3/4**  
Installation width **150 ± 3 mm**  
Backflow prevention (EN1717) **AA**  
Material **Brass**

### SOFTWARE SETTINGS

Afterflow period **2 s (1-20 s)**  
Automatic flush **off (off/1-120 h)**  
Automatic flush period **30 s (1-1800 s)**  
Max. flow period **2 min (1 - 1800 s)**

### ELECTRONIC PROPERTIES

Battery **Lithium 2CR5 6 V**  
Bluetooth version **4.x (D034445)**

### REGULATIONS

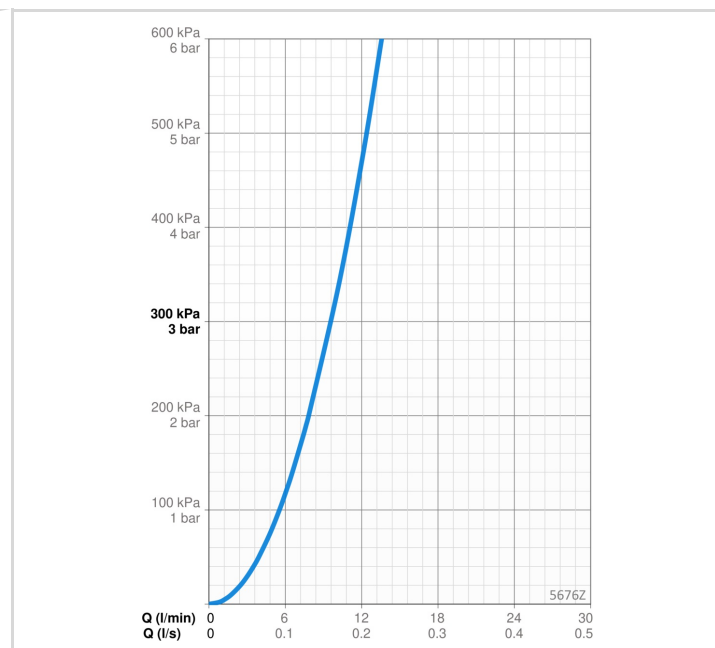
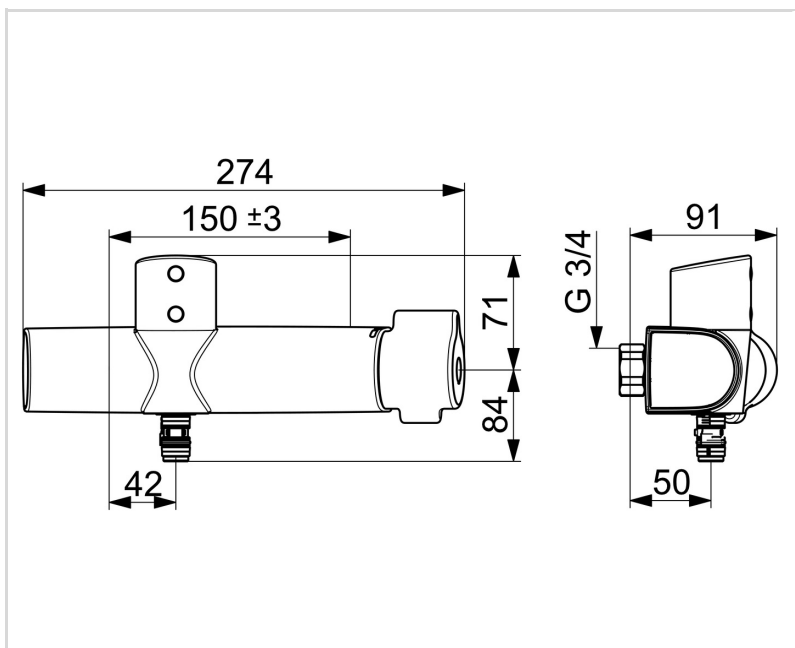
EU Directives **CE Radio Equipment Directive 2014/53/EU , Low Voltage Directive 2014/35/EU , EMC Directive 2014/30/EU , RoHS Directive 2011/65/EU**  
EN standard **EN 1111 , EN 15091, ETSI EN 301 489-1 V1.9.2 , ETSI EN 300 328 v2.2.2, EN 18031-1, EN 61000-6-1:2007 , EN 61000-6-3:2007+A1:2011+AC:2012 , EN 60335-1:2012+A11+A13+A1+A14+A2+A15:2021, Part 19.11.4**  
Noise class **I (ISO 3822)**  
Protection class **IP 55**

### APPROVALS AND DECLARATIONS

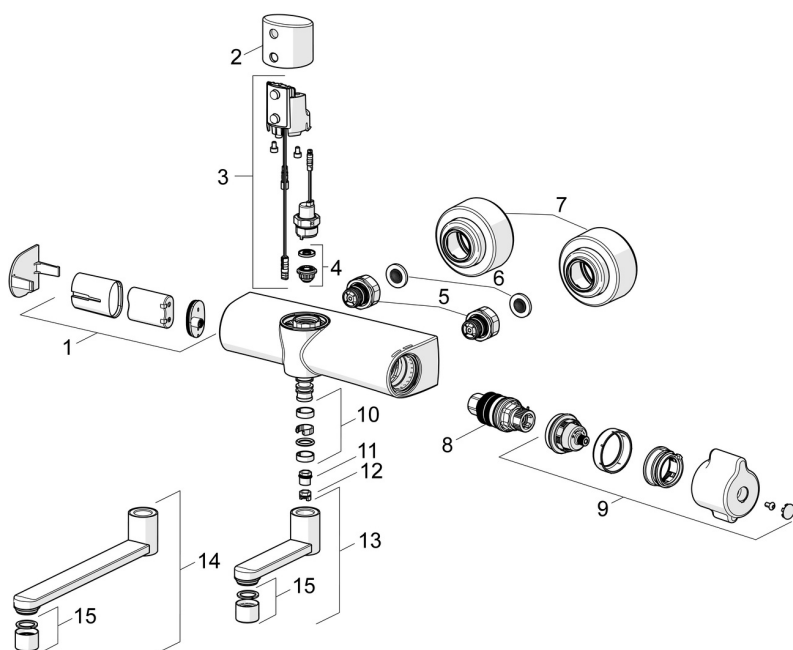
UN38.3 **UN38-3 Maxell 2CR5**  
Declaration of conformity **RED**  
EPD **S-P-06394**

### SUSTAINABILITY

EPD module A1-A3 (kg CO2 eq.) **13,12**  
EPD module A4 (kg CO2 eq.) **0,53**  
EPD module B7 (kg CO2 eq.) **688,00**  
EPD module C2 (kg CO2 eq.) **0,03**  
EPD module C3 (kg CO2 eq.) **0,03**  
EPD module C4 (kg CO2 eq.) **0,35**  
EPD module D (kg CO2 eq.) **-9,50**



## SPARE PARTS



## SP5671U

	Name	Code
01	Battery casing	199438V
02	Sensor holder Chrome	1006102V
03	Update kit	1017251V
04	Membrane for solenoid valve	1006500V
05	Combiner	602438/2
06	Filter sealing, G3/4, DN20	178375V
07	Cover flange Chrome	1006473V
08	Thermostatic cartridge	178780V
09	Temperature control handle Chrome	1006058V
10	Sealing kit for spout	602707V
11	Spout overturning stopper, 60°/0°	159667V
12	Limiter, 120°	602499V
13	Spout, L=100 Chrome	290016
14	Spout, L=200 Chrome	290017
15	Aerator, M22x1 STD PL HC A Laminar Chrome	1003610V