



5680Z ORAS CLINICA DIGITAL+ WASHBASIN FAUCET, BLUETOOTH

SINGLE-LEVER, SELF-POWERED, BLUETOOTH®, LEAD FREE

EAN: 6414150103728 static.oras.com/5680Z



This faucet is designed for Health care usage.

With its low lead water ways and a well designed body that is easy to clean while the long lever makes it easy and intuitive to operate.

With our latest technology it is possible to connect this faucet to the Digital water management service. The online service helps monitoring of the usage to prevent stagnation and to follow-up the temperatures in the piping. Measuring technology inside the faucet body is self-powered by water, no batteries needed. Clever design with a world of information inside.

- Public & Semi-public, Health & Care
- Wall mounted
- Chrome
- Single operating lever/handle, Pin shape, Hot/Cold symbols
- Limitation option for maximum temperature and flow-rate
- ø 40 mm ceramic cartridge for flow and temperature control
- Direct connection
- Inner body made of composite
- Without couplings
- without spout

TECHNICAL DATA

FLOW PROPERTIES

Flow-rate at 300 kPa (with flow reducers)	0.087 l/s
Pressure loss with flow (0.1 l/s)	400 kPa

TECHNICAL PROPERTIES

Hot water supply	max. +65°C
Working pressure	100 - 1000 kPa
Connection size	G3/4
Installation width	CC150± 3 mm
Backflow prevention (EN1717)	AA
Material	Brass/Composite

ELECTRONIC PROPERTIES

Bluetooth version	5.x (D060576)
-------------------	---------------

REGULATIONS

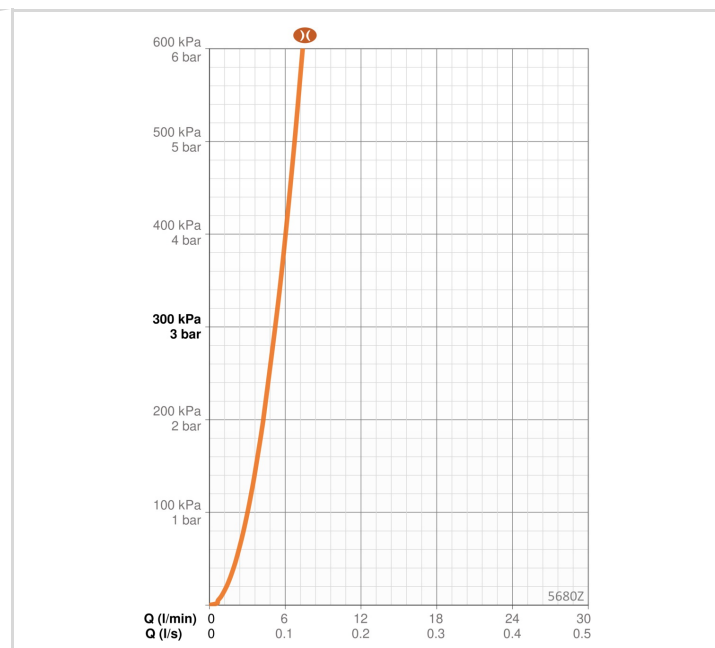
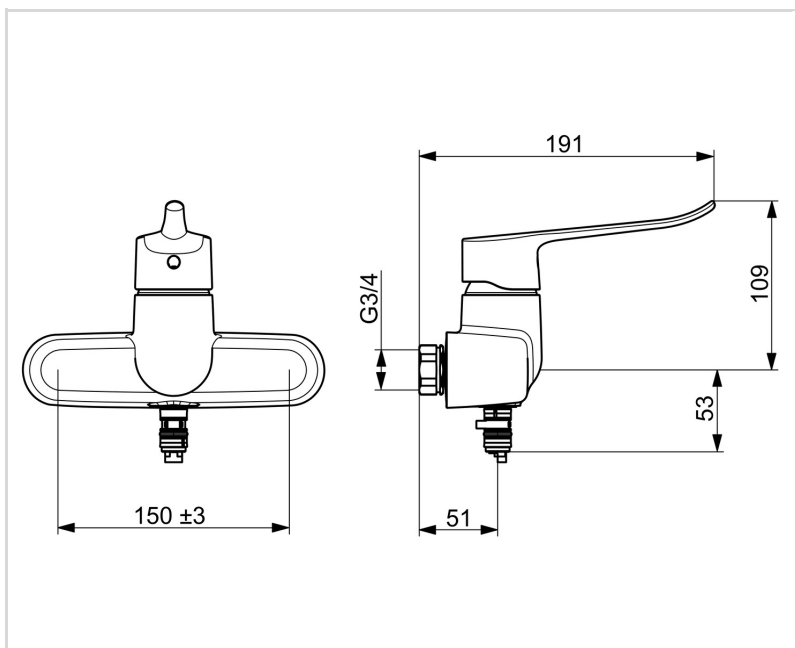
EU Directives	CE Radio Equipment Directive 2014/53/EU , Low Voltage Directive 2014/35/EU , EMC Directive 2014/30/EU , RoHS Directive 2011/65/EU
EN standard	EN 817, ETSI EN 301 489-1 V1.9.2 , ETSI EN 300 328 v2.2.2, EN 18031-1, EN 61000-6-1:2007 , EN 61000-6-3:2007+A1:2011+AC:2012 , EN 60335-1:2012+A11+A13+A14+A15:2021, Part 19.11.4
Noise class	I (ISO 3822)
Noise class 0.2 l/s	I (ISO 3822)
Protection class	IP 55

APPROVALS AND DECLARATIONS

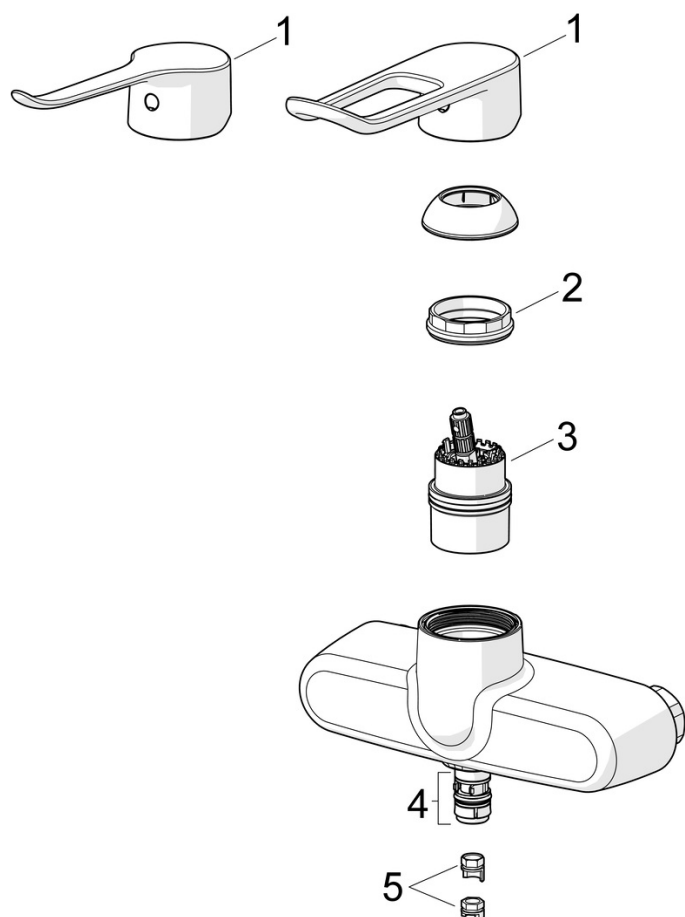
Declaration of conformity	RED
EPD	S-P-06391

SUSTAINABILITY

EPD module A1-A3 (kg CO2 eq.)	9,55
EPD module A4 (kg CO2 eq.)	0,26
EPD module B7 (kg CO2 eq.)	1612,98
EPD module C2 (kg CO2 eq.)	0,02
EPD module C3 (kg CO2 eq.)	0,02
EPD module C4 (kg CO2 eq.)	0,07
EPD module D (kg CO2 eq.)	-6,79



SPARE PARTS



SP5680Z

Name	Code
01 Long lever, L=140 Chrome	201183
01 Long lever, L=162 Chrome	1004914V
02 Tightening nut, M42x1.5, SW 38	158726
03 Cartridge	1003691V
04 Sealing kit for spout	602707V
05 Spout overturning stopper, 60°/0°	159667V
05 Limiter, 120°	602499V
N.I. Filter sealing, G3/4, DN20	178375V